

Uniclass L811	EPIC Q12	
CI/SfB (90.7)	x	



Quality • Dependable • Functional

DISPLAY CASES

Return to HSF Website / DISPLAY CASES

Visit our Homepage
www.heritagestreetfurniture.co.uk

Heritage Street Furniture

Display Cases



Display Cases

Contemporary Display Cases

Town and Country	227
Single or Double Lockable	229
Double Sided Flag Style Light Box	230
Double Sided Light Box	231
Wall Mounted Single Sided Light Box	232

Traditional Information Cases

Lockable	233
Infoguard	235
Timber	236

Heritage

Display Cases

Town and Country Single and Double Sided Poster Case



Town and Country Single and Double Sided Poster Case

- Mounted on 76 dia aluminium tube with a choice of 4 tops.
- Single or double sided poster cases.
- Zinc electro plated steel backboard.
- 75mm aluminium profile case, with cast aluminium corners.
- Gas struts fitted to raising doors.
- Glazing 4mm shock and UV resistant plexichoc.
- Title board option in zinc electro plated steel, fastened to posts with two additional collars.
- Screen printing available on request.
- To be concreted directly into the ground.
- Supplied with assembly instructions.
- Choice of two different covers

Base Cover 1

For Sphere and Europe top caps
HSF416710

Base Cover 2

For City and Agora top caps
HSF416720

Three versions of finish are supplied

Version 1: Silver anodised with details painted in most RAL colours.

Version 2: Painted in one RAL colour.

Version 3: Painted in two RAL colours.

Dimensions

Height above ground level

2500mm

(or 2700mm with title board)

Poster Display without Header Board

800h x 1200w Raising Door
Single sided - HSF713100

Double sided - HSF713500

1200h x 800w Side Opening Door
Single sided - HSF713200

Double sided - HSF713600

1200h x 1600w Raising Door
Single sided - HSF713300

Double sided - HSF713700

1600h x 1200w Side Opening Door
Single sided - HSF713400

Double sided - HSF713800

Poster Display with Header Board

800h x 1200w Raising door
Single sided - HSF713150

Double sided - HSF713550

1200h x 800w Side Opening Door
Single sided - HSF713250

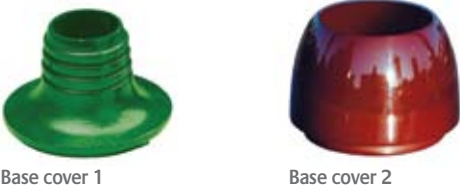
Double sided - HSF713650

1200h x 1600w Raising Door
Single sided - HSF713350

Double sided - HSF713750

1600h x 1200w Side Opening Door
Single sided - HSF713450

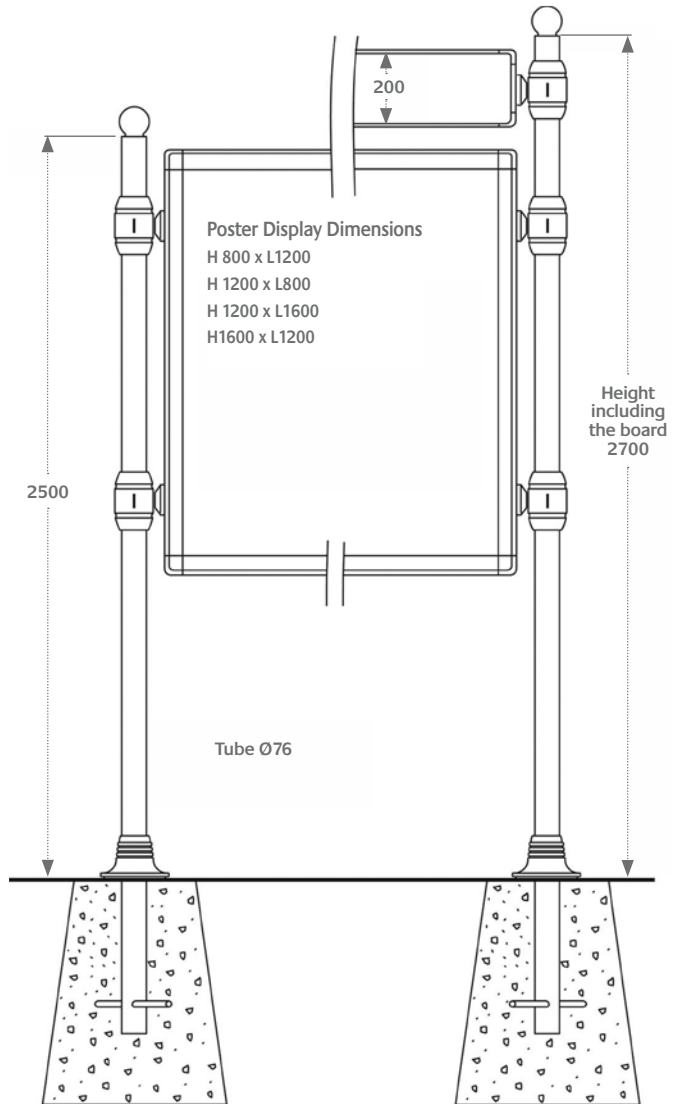
Double sided - HSF713850



RAL Colours



Header board



Town and Country Poster Case
Version 1
Silver Anodised and one RAL colour



Town and Country Poster Case
Version 2
Painted in one RAL colour



Town and Country Poster Case
Version 3
Painted in two RAL colours

Heritage

Display Cases

Single or Double Sided, Non-Illuminated Lockable Display Case



Single or Double Sided, Non-Illuminated Lockable Display Case

- Mounted on 114mm dia steel posts, with a welded dome top.
- 150mm aluminium profile case, with cast aluminium corners
- Zinc electro plated steel backboard
- Door is fitted with a warp proof integrated hinge to create a watertight seal with the frame.
- Two tamper proof locks and gas struts are fitted to raising door 4mm tempered shatterproof glass
- Painted in one colour in most RAL colours.
- To be concreted directly into the ground.

Non-Illuminated Lockable Display Case

Single Sided

1200h x 800w - HSF712210

1200h x 1600w - HSF712220

1600h x 1200w - HSF712230

1760h x 1210w - HSF712240

Double Sided

1200h x 800w - HSF712260

1200h x 1600w - HSF712270

1600h x 1200w - HSF712280

1760h x 1210w - HSF712290

RAL Colours



Steel Double Sided Flag Style Light Box



Tops



Sphere top



Europe top



City top



Agora top

Double Sided Flag Style Light Box

- Mounted on 114mm dia steel posts, with a choice of four top caps.
- 150mm aluminium profile case, with cast aluminium corners.
- Doors are fitted with a warp proof integrated hinge to create a watertight seal with the frame.
- Two tamper proof locks and gas struts are fitted to raising door.
- Size of viewing area 1710h x 1160w.
- Poster attaches to 3mm white, light diffusing polycarbonate lit by two EU approved high-intensity fluorescent tubes 58 watt output each.
- Light diffusing panel is lowered head height for easy and safe changing of the poster (illuminated version only).
- Poster is mounted onto inner wall, fixed 17mm from the glazing.
- Posters are attached using articulated clips.
- Painted in most RAL colours.
- To be concreted directly into the ground.
- Supplied with assembly instructions.
- Factory fitted ballast and lighting.

Please note: Cable exit is not predefined so the best position can be chosen by the installer.

The electrical wiring complies to current EU regulations, and must be installed by a qualified engineer.

Available with or without lighting**With Lighting****City Top - HSF712110****Agora Top - HSF712120****Sphere Top - HSF712130****Europe Top - HSF712140****Without Lighting****City Top - HSF712150****Agora Top - HSF712160****Sphere Top - HSF712170****Europe Top - HSF712180**

Heritage

Display Cases

Lightbox - Double Sided



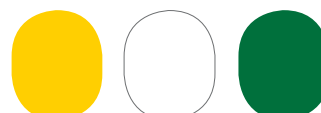
RAL Colours



RAL 5010

RAL 3020

RAL 9005



RAL 1021

RAL 9010

RAL 6005



GREY

RAL 8017

RAL 3004

Tops



Sphere top



Europe top



City top



Agora top

Double Sided Light Box With Lighting

- Mounted on 114mm dia steel posts, with a choice of four top caps.
- 150mm aluminium profile case, with cast aluminium corners
- Doors are fitted with a warp proof integrated hinge to create a watertight seal with the frame.
- Two tamper proof locks and gas struts are fitted to raising door
- Viewing area 1710h x1160w
- Poster attaches to 3mm white, light diffusing polycarbonate lit by two EU approved high-intensity fluorescent tubes 58 watt output each.

- Light diffusing panel is lowered head height for easy and safe changing of the poster (illuminated version only).
- Poster is mounted onto inner wall, fixed 17mm from the glazing.
- Posters are attached using articulated clips.
- Painted in most RAL colours
- To be concreted directly into the ground

Available with or without lighting

With Lighting

City Top - HSF718110

Agora Top - HSF718120

Sphere Top - HSF718130

Europe Top - HSF718140

Without Lighting

City Top - HSF718150

Agora Top - HSF718160

Sphere Top - HSF718170

Europe Top - HSF718180

Wall Mounted Single Sided Light Box

**Wall Mounted Single Sided Light Box**

- With or without lighting.
- 150mm aluminium profile case, with cast aluminium corners.
- Two tamper proof locks and gas struts are fitted to raising door.
- Elastomer seal and anti-condensation vents.
- Zinc electroplated steel back board with a white lacquer finish.
- 4mm security glass.
- Viewing are 1710mm H x 116mm W.
- Poster is mounted onto inner wall, fixed 17mm from the glazing.
- Supplied silver anodised or painted in most RAL colours.

With lighting:**Anodised - HSF718210****Painted - HSF718220****Without lighting:****Anodised - HSF718230****Painted - HSF718240**

Heritage

Display Cases

Standard Plus Security Cabinet with Header on Municipal Frame



Heritage Display Cases Standard Plus Cabinet Superior Security Cabinet

- Heritage range of notice board cabinets are designed to be either wall mounted or freestanding.
- Cabinets can be supplied as a Standard Plus Security Cabinet with a top hinged front panel held in position with two locking stays. Door is locked at the bottom with 2 spring-loaded, tamper-proof locks.
- A Superior Security Cabinet can be supplied as an alternative which has a removable end plate

to allow the pin board and window to slide out for fixing. The end plate is secured by a tamper proof lock.

- Crystal clear, high-impact thermoplastic windows.
- Air circulation and drainage holes incorporated in base of cabinet to avoid condensation.
- Pinboards are 6mm MDF panels faced with 6mm cork.
- Cabinets are made in stainless steel and either powder coated or stove enamelled.
- Applied vinyl text inclusive.

Posts

- 50mm box section posts side or rear fixed for Standard Plus cabinet.
- Rear fixing only for Superior Security Cabinet.

Standard colours:

- Black - RAL 9005
- Green - RAL 6005
- Blue - RAL 5002
- Red - RAL 3003
- White - RAL 9010
- Brown - RAL 8001

Municipal Frames

- Municipal Frames – consisting of 76mm diameter tubular posts fitted with brass ball finials, assembled complete with optional header panel.
- Not suitable for Superior Security Cabinet.

Header Panels:

- Available in a range of shapes.
- Cast in solid rigid polyurethane with details in relief.
- Painted to match cabinet.
- Headers can incorporate company logos, or crests, an extra tooling charge applies.

Standard Plus Security Cabinet with Square Posts

**Standard Plus Security Cabinet:**

900w x 600h - HSF711210
(viewing area - 770 x 445)

1200w x 600h - HSF711220
(viewing area - 1070 x 445)

1200w x 900h - HSF711230
(viewing area - 1070 x 745)

Superior Security Cabinet:

900w x 600h - HSF711310
(viewing area - 770 x 445)

1200w x 600h - HSF711320
(viewing area - 1070 x 445)

1200w x 900h - HSF711330
(viewing area - 1070 x 745)

Other sizes can be manufactured to customer requirements.

Municipal Frames:

900w x 600h - HSF711410

1200w x 600h - HSF711420

1200w x 900h - HSF711430

2.4 mtrs long x 50mm**Square Posts**

HSF711510

Header Panels:

900w - HSF711610

1200w - HSF711620

Ball Finial 50mm

(Optional polyurethane)

HSF711550

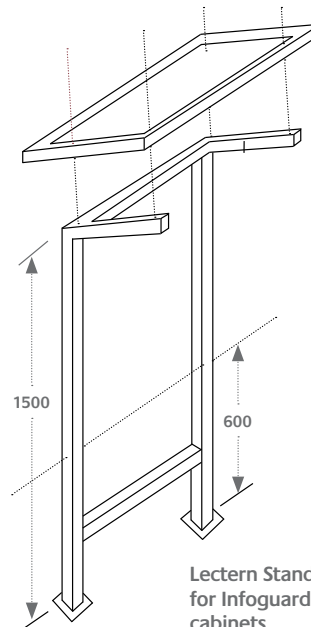
Heritage

Display Cases

Infoguard Cabinet



Infoguard Cabinet Municipal Frame with header



Lectern Stand for Infoguard cabinets

Heritage Infoguard Cabinet

- Heritage range of Infoguard cabinets are designed to be either wall mounted or freestanding.
- Infoguard cabinets allow for an interpretation panel to be inserted or removed by unscrewing the outer case of the cabinet. The panels are screenprinted onto rigid PVC, using durable inks, and laminated UV resistant film.
- Cabinets are made from tough rustproof, stainless steel and either powder coated or stove enamelled.
- Crystal clear, high-impact thermoplastic windows.
- Air circulation and drainage holes incorporated in base of cabinet to avoid condensation.
- Stainless Steel posts 76mm dia or 50mm box section for side or rear fixing.
- Cabinets can be mounted onto a Municipal Frame (refer to pg 234 for Municipal stand information) complete with posts, header and finials.
- Applied vinyl text inclusive.

Lectern Stand

- Lectern Stand for Infoguard cabinets: The base is manufactured from a 50mm stainless steel box section and incorporates an anti-vandal footplate.

Standard colours:

- Black, Green, Blue, Red, White.

Heritage Infoguard Cabinet

900w x 600h - HSF711110
(viewing area - 830 x 530)

1200w x 600h - HSF711120
(viewing area - 1130 x 530)

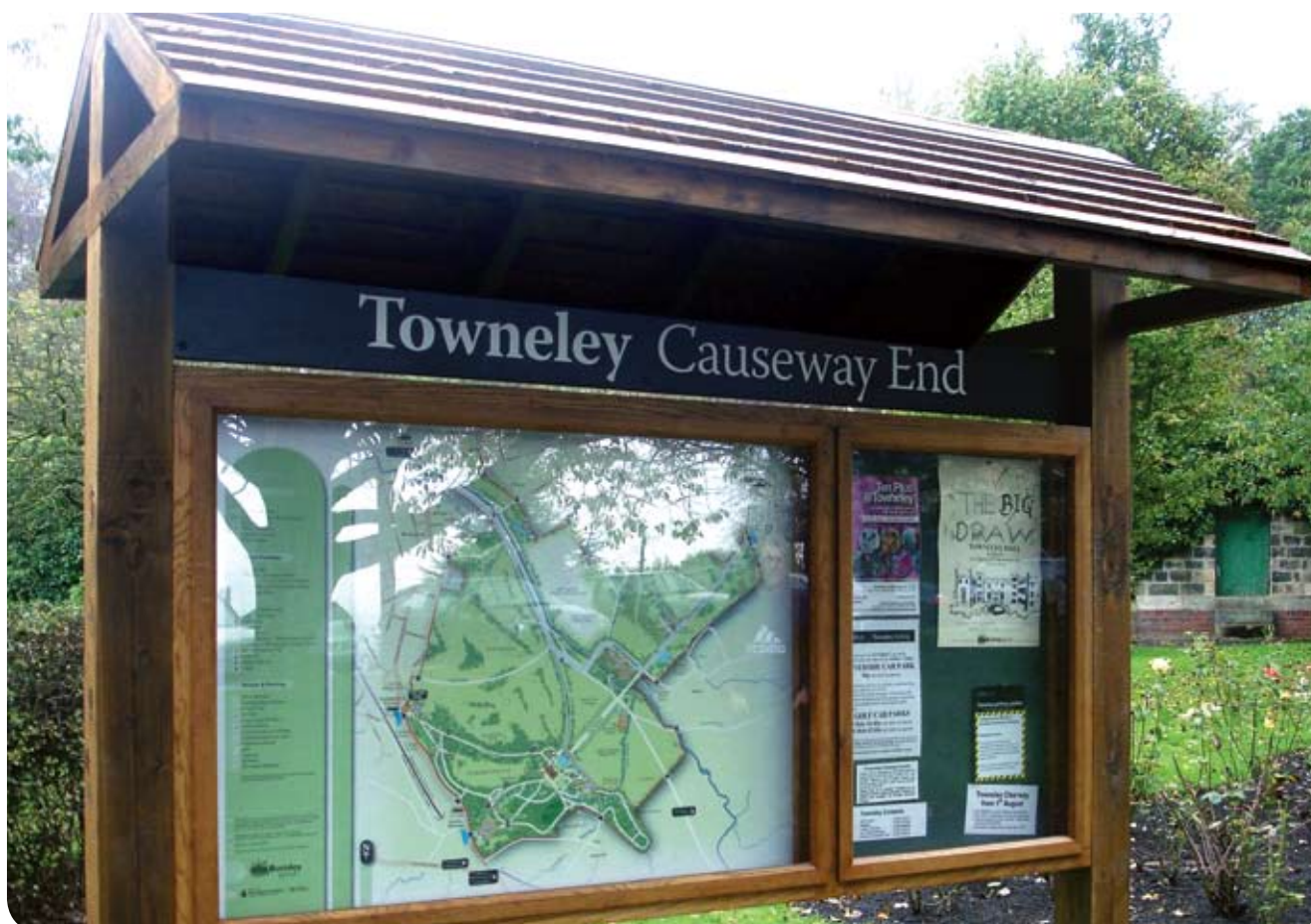
1200w x 900h - HSF711130
(viewing area - 1130 x 830)

- Other sizes can be manufactured to customer requirements.

Lectern Stand - for use with Infoguard cabinets:

HSF711710

Timber Display Cases



Timber Display Cases

- Designs can either be routed or sandblasted into timber or a combination of both processes can be used.
- Produced in a range of hard or softwood timbers sourced from sustainable forestation or FSC.
- Full colour signs are printed and encapsulated into glass reinforced plastic (GRP).
- Other materials can be supplied on request.
- Signs can be produced to customers requirements.

The most common sizes are:

The A Range
AO 1189 x 841mm
 HSF714110

A1 841 x 594mm
 HSF714120

A2 594 x 420mm
 HSF714130

A3 420 x 297mm
 HSF714140

A4 297 x 210mm
 HSF714150

