

Special Shapes Service 2010



Faststack Chimneys

Faststack® Chimneys

Faststack is a new concept in chimney design suitable for both fully working and decorative functions. Faststack chimneys are easy to install saving both time and money onsite.

The Faststack concept has been developed to make the installation of working and decorative chimneys simple and cost effective. The compact design enables the installation of chimneys in situations where traditionally constructed ones would not be possible.



Gable End Ridge

The Gable End Ridge chimneys are designed to allow the brickwork to continue from the gable wall into the chimney unit.



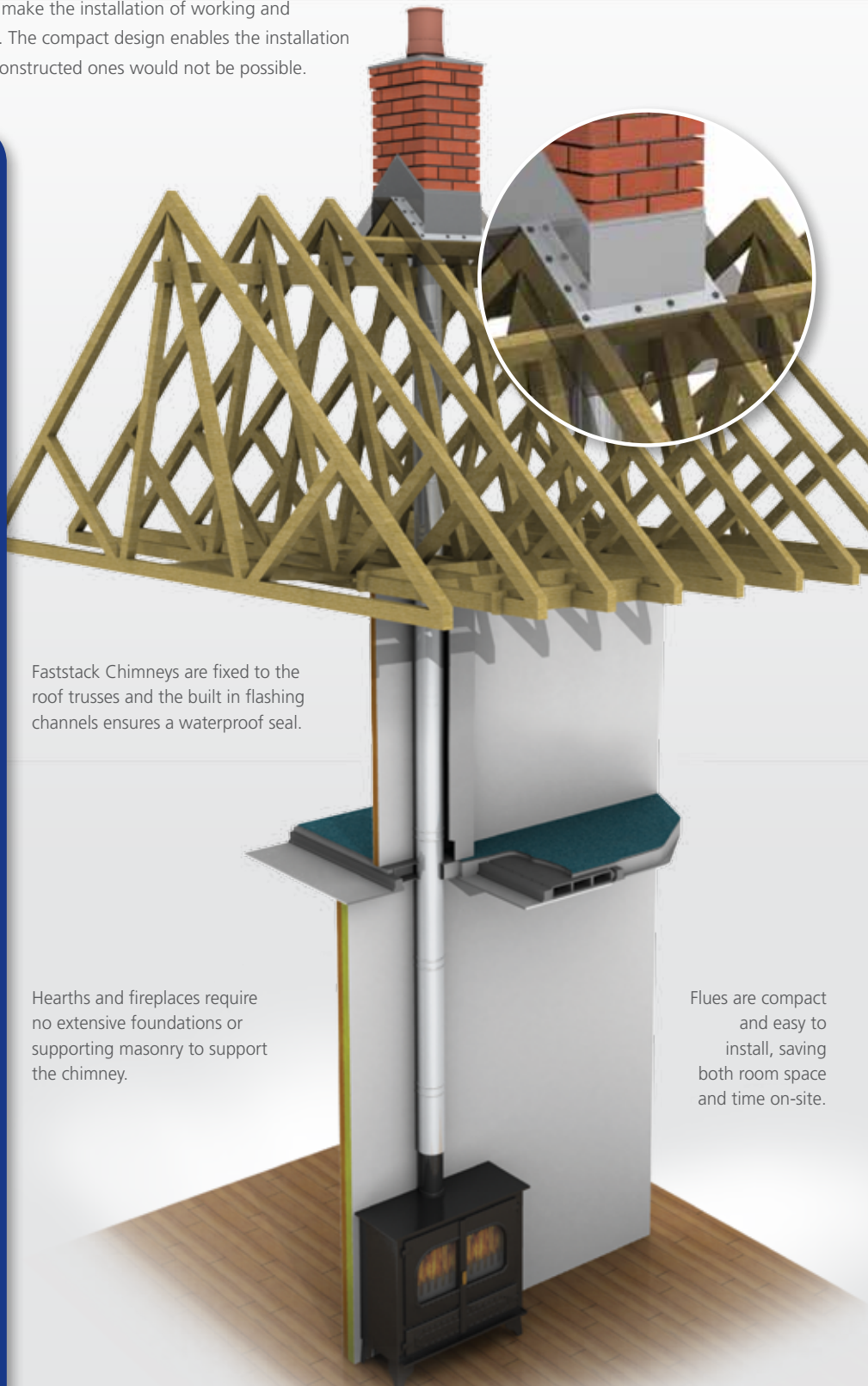
Mono Pitch

Faststack mono pitch chimneys can be located anywhere on the roof pitch.



Mid Ridge

In situations where the chimneys are not located directly over the gable wall, the Mid Ridge design can be used.



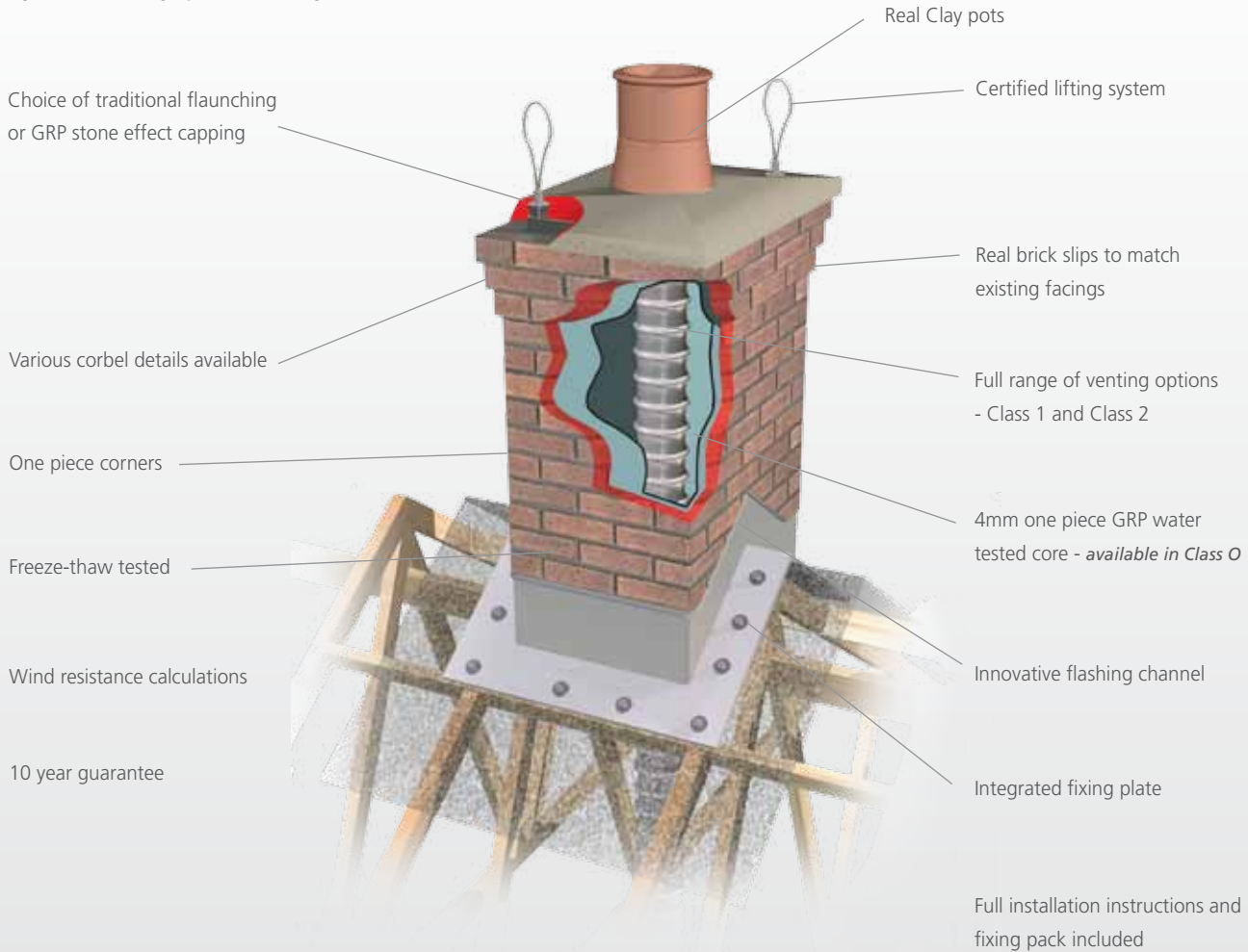
Faststack Chimneys are fixed to the roof trusses and the built in flashing channels ensures a waterproof seal.

Hearths and fireplaces require no extensive foundations or supporting masonry to support the chimney.

Flues are compact and easy to install, saving both room space and time on-site.

What makes Faststack® Chimneys so special?

Any roof, any pitch, any location on the roof



Not all chimneys are the same...

Key Features	Key Benefits	Faststack®
Real brick slips	Will weather traditionally	✓
Certified lifting system	Safety is ensured	✓
One piece corners	Seamless appearance	✓
Innovative flashing channel	Leakproof design	✓
Traditional flaunching or GRP stone capping	A range of choices - to suit regional preferences	✓
Corbel detail	Adds style	✓
Freeze thaw tested	Weatherproof	✓
Wind resistance calculations	Ensures stability	✓
Innovative fixing plate	Total flexibility	✓
Full venting options	To suit any appliance- from gas to solid fuel	✓
Installation instructions - and full fixing pack	To ease installation	✓
Full range of chimneys for all roof locations	Can be sited mid ridge, gable end and mono pitch	✓

Faststack® Chimneys

The Brickwork Components Faststack® Chimney System is a prefabricated range of 'working' and 'cosmetic only' chimneys. They are available in a range of standard designs. They comprise GRP (Glass Reinforced Plastic) cores which are clad in traditional facing materials thereby complementing the properties on which they are to be installed.



Our chimneys can be used with most appliances including class 1 multi-fuel stoves

Venting Options

Many of the chimneys in the range are available as fully working units, suitable for venting both Class 1 & Class 2 appliances. These chimneys include a pre-installed Twinwall flue system selected to suit the particular requirements of the project. Once on site the system is simply linked to the existing flue system using appropriate couplings.



See chart on page opposite for application details.

Time saving chimney building in seven easy steps



Step 1
Delivered to site ready for pointing (on the ground).



Step 2
Crane into position on the trusses using the lifting eyes and loops supplied.



Step 3
Drill through support plates and screw to trusses using the fixings provided.



Step 4
Batten over the support plate as shown and tile the roof.



Step 5
Apply the supplied sealant to the channel before and after flashing.

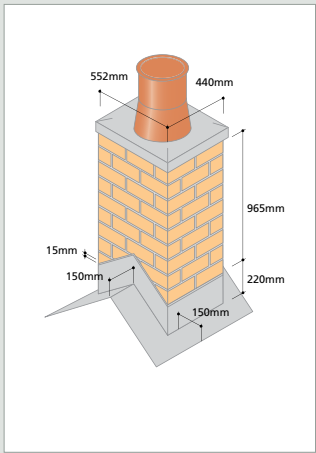


Step 6
The lead is then dressed securely into the flashing channel.

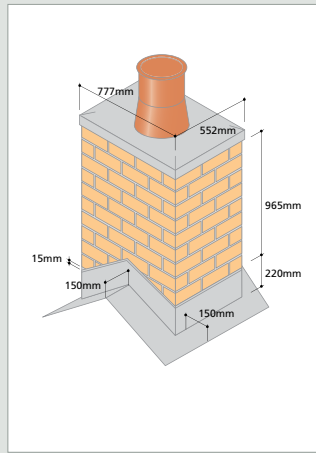


Step 7
Job done! The finished chimney is in place.

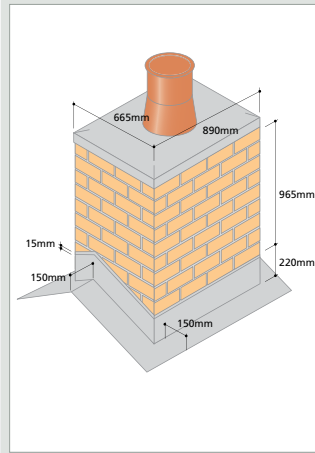
All our chimneys can be made using any brick or stone.



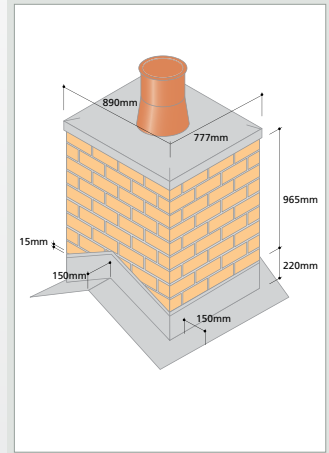
Othello



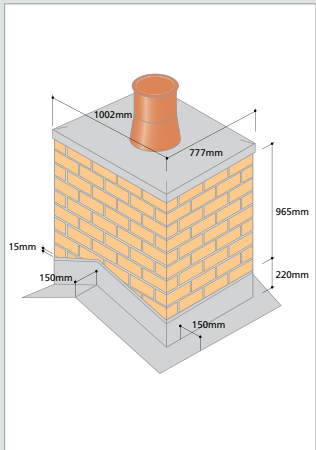
Aragon



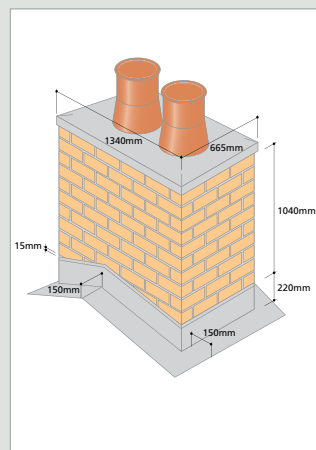
Hamlet



Hermia



Silius



Shylock

Application details

Chimney Style and Location	Mid Ridge inc. Twinwall Flue system	Gable End Ridge inc. Twinwall Flue system	Mono Pitch inc. Twinwall Flue System
Othello 552 x 440mm Approx. 175kg	Y	N	Y
Aragon 777 x 552mm Approx. 210kg	Y	N	Y
Hamlet 665 x 890mm Approx. 220kg	Y	Y	Y
Hermia 890 x 777mm Approx. 250kg	Y	Y	Y
Silius 1002 x 777mm Approx. 300kg	Y	Y	Y
Shylock 1340 x 665mm Approx. 230kg	Y	N	Y

Version shown for 35° pitch roof. The height of the Shylock chimney varies according to roof pitch.

Check to see if the design you like can be positioned on the roof line where you want it situated.

Ibstock Brick Limited**United Kingdom**Leicester Road, Ibstock,
Leicestershire LE67 6HS**t:** 01530 261999**f:** 01530 257457**e:** enquiries@ibstock.co.uk**Ireland**

54 Dartmouth Square, Dublin 6

e: info@ibstockbricks.ie**www.ibstock.com****Ibstock Sales Offices****1. Scottish Sales Office**

t: 0844 800 4871 f: 0844 800 4872

2. Parkhouse Sales Office

t: 0844 800 4867 f: 0844 800 4868

3. Lodge Lane Sales Office

t: 0844 800 4869 f: 0844 800 4870

4. Leicester Sales Office

t: 0844 800 4875 f: 0844 800 4876

5. Cattybrook Sales Office

t: 0844 800 4570 f: 0844 800 4571

6. Belfast Sales Office

t: 0844 800 4867 f: 0844 800 4868

7. Dublin Sales Office

t: +353 (0)1 660 5023 f: +353 (0)1 660 3091

Kevington Sales Offices & Factories**8. Gatwick**

t: 01342 718899 f: 01342 718528

9. Glasgow

t: 01698 713769 f: 01698 713306

10. Gloucester

t: 01452 840916 f: 01452 840857

11. Hampshire

t: 01264 790400 f: 01264 791762

12. Manchester

t: 01614 802621 f: 01614 800108

13. Suffolk

t: 01449 770200 f: 01449 771199

Commitment To Quality**IBSTOCK REGISTERED FIRMS**

The first Quality Assurance Scheme in the industry, operating in accordance with BS EN ISO 9001 to be awarded Registered Firm Status for the design and the manufacture of bricks, pavers and special shapes.

Commitment to the Environment

In being the first UK brick manufacturer to achieve ISO 14001, the internationally recognised standard, for our production sites and fully embracing the Government's strategy for sustainability, Ibstock leads the way in demonstrating environmental responsibility.

