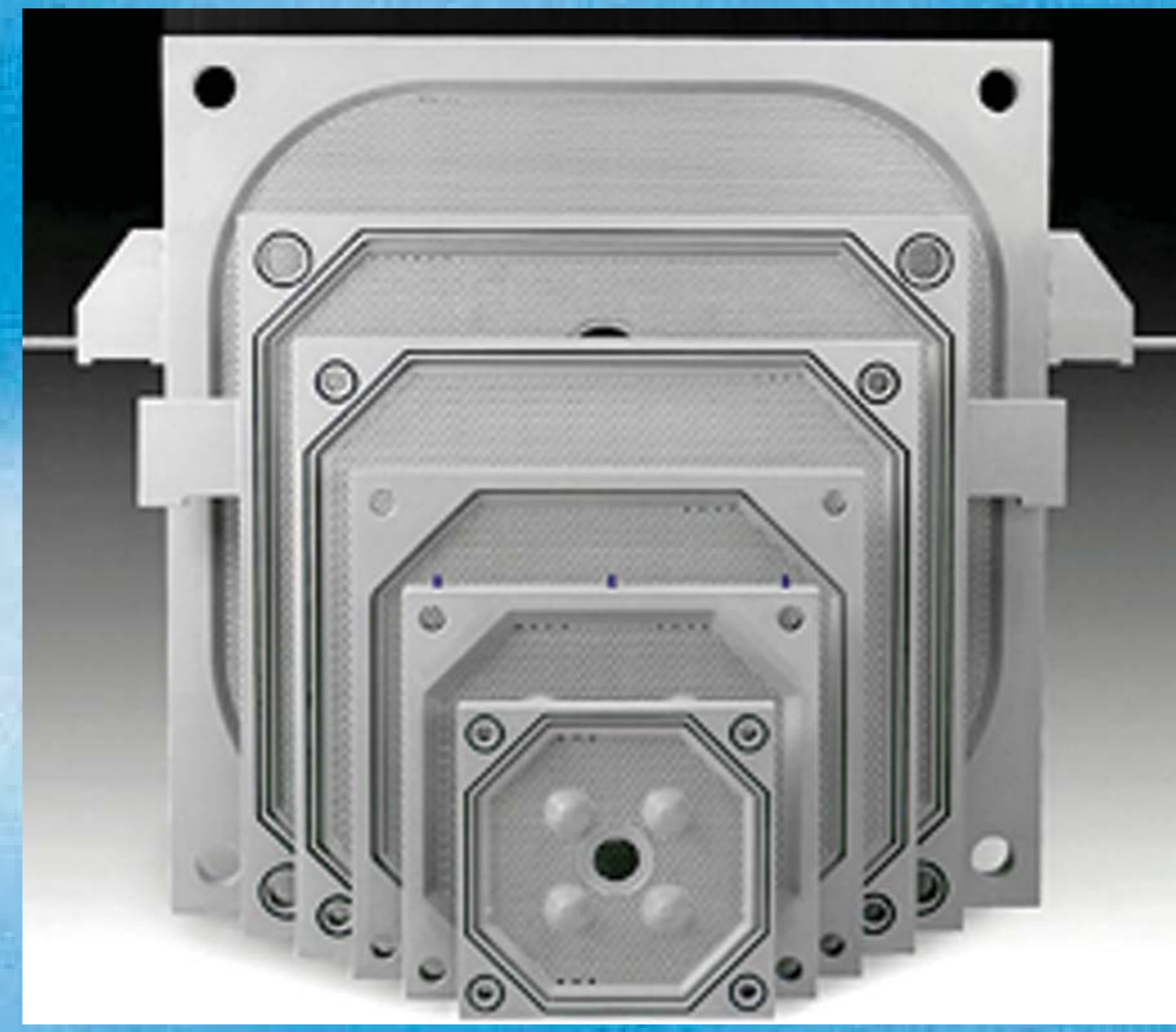




Filter Press Sales and Maintenance

Klinkau plates

- Sales of Klinkau filter plates - highest possible filtration
- For new press installations & refurbishment of existing filter presses



- Small – medium throughput
- sidebar machines
- Fully automated, manual or semi automatic
- High or low working pressure
- Robust and practical

- Fully automatic overhead filter press units up to 2m x 2m
- High pressure 16 bar maximising dry solid cake production
- High speed opening and closing
- Low maintenance and operational costs



- Filter press refurbishment
- Overhaul & maintenance - any type of press installation
- Performance enhancement and increased throughput
- Increased operational life