

BRITANNIA

Britannia Architectural Metalwork Ltd

The Old Coach House, Draymans Way,
Alton, Hampshire, GU34 1AY, UK.
Tel: 01420 84427, Fax: 01420 89056
Email: info@britannia.uk.com



Traditional Metalwork

Decorative Metalwork in Cast Iron, Bronze, Aluminium or Wrought Iron

- Balustrades & cast panels
- Railings & gates
- Brackets, columns, canopies, gazebos & loggias
- Ridge cresting, tie-bar plates & misc. castings
- Cast gratings & air bricks
- Bollards & signposts
- Tree grilles & bench ends

Staircases

- Cast Iron straight & radial stairs
- Cast Iron spiral staircases

Conservation & Restoration services

- Conservation & restoration of cast and wrought ironwork

Design Service, Pattern making & Specialised Castings



Britannia: Sole UK & Ireland Distributors of DAE Furniture & Lighting

Modern Street Furniture & Lighting

Street furniture - *The DAE range from Barcelona*

- Benches, chairs & cycle-holder
- Bollards
- Illuminated bollards & marker lights
- Planters
- Litter bins
- Drinking Fountains

Street lighting - *The DAE range from Barcelona*

- Lighting columns
- Wall mounted fittings
- Feature lighting
- Bulkhead fittings

Contact us

BRITANNIA - Balustrades and cast panels

Traditional Metalwork

Decorative metalwork in Cast iron, bronze, aluminium or wrought iron

- Balustrades and cast panels
- Railings and gates
- Brackets, columns, canopies, gazebos and loggias
- Ridge cresting, tie-bar plates & misc. castings
- Cast gratings and air bricks
- Bollards & sign posts
- Tree grilles & bench ends

Staircases

- Cast iron straight & radial stairs
- Cast iron spiral staircases

Conservation & restoration services

Design service, pattern making & specialised casting

Modern Street Furniture & Lighting

Street furniture

The DAE range from Barcelona

- Benches, chairs & cycle holder
- Bollards
- Illuminated bollards
- Planters
- Litter bins
- Drinking Fountains

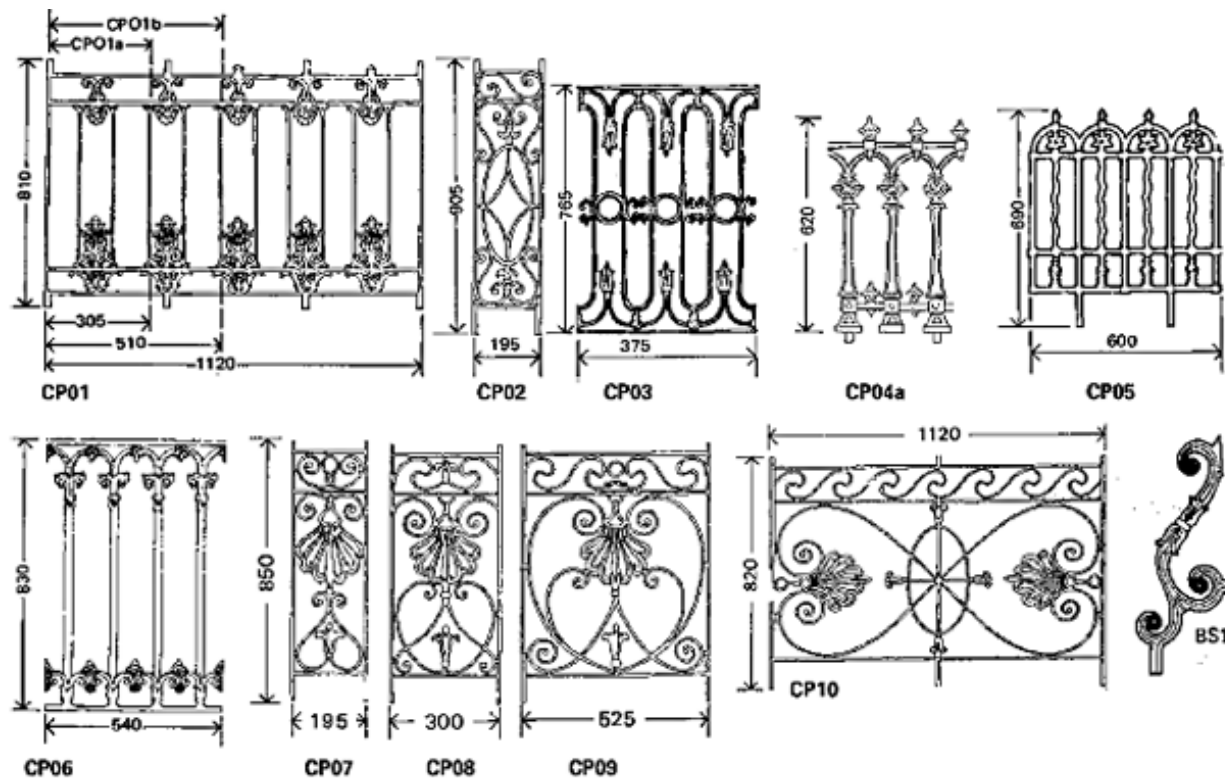
Street lighting

The DAE range from Barcelona

- Lighting columns
- Wall mounted fittings
- Feature lighting

Cast Balustrade Panels | Cast Iron Panels | Cast Panels Balusters | HOME

Cast Balustrade Panels



- Bulkhead fittings

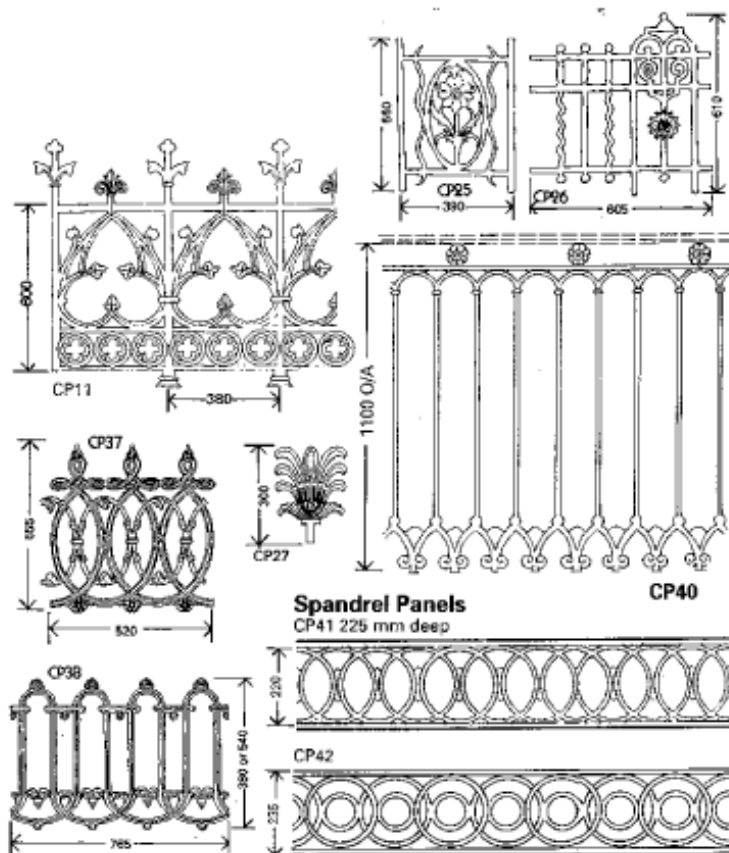
Contact us

HOME



1/2 km of CP06 (Schloss Reinhartshausen), Germany)

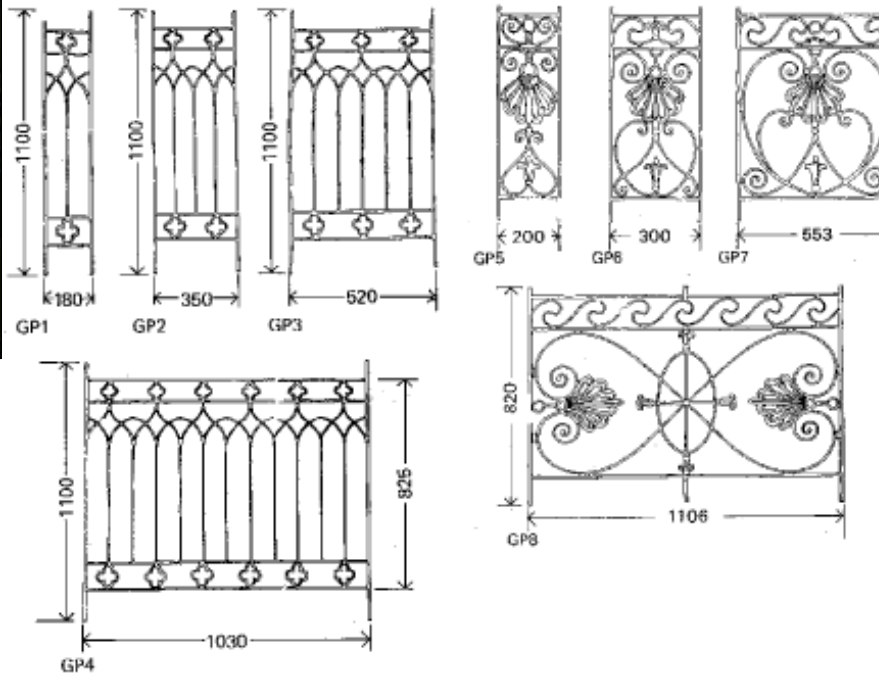
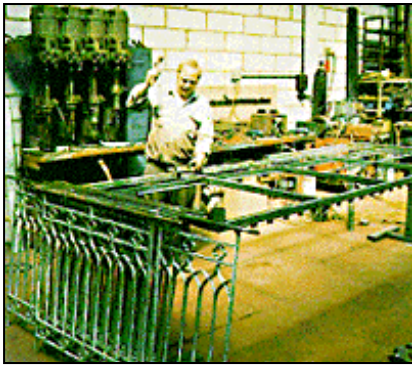
↑
TOP



Cast Iron Panels



CAST IRON PANELS Made in SG or weldable iron (special sizes of these panels can be made to order in AI)
Left: Specially Cast Candle-sticks for Winchester Cathedral



Note: GP1-4 1100ht. double sided, GP5-8 single sided only.

TOP

Cast Panels Balusters

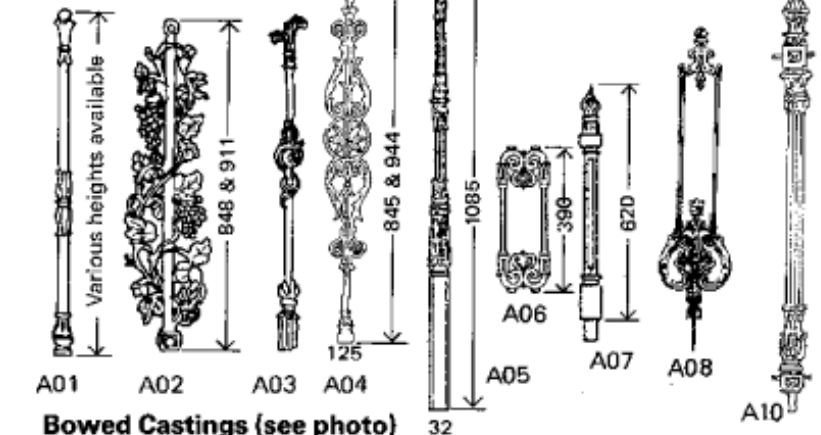


Balcony Balustrade CP40, Belgravia, London

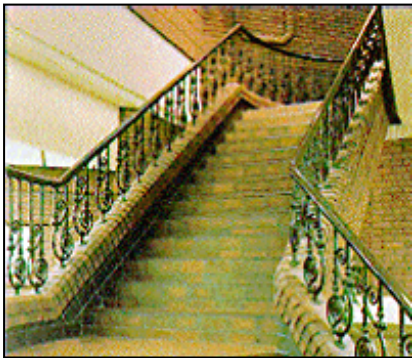
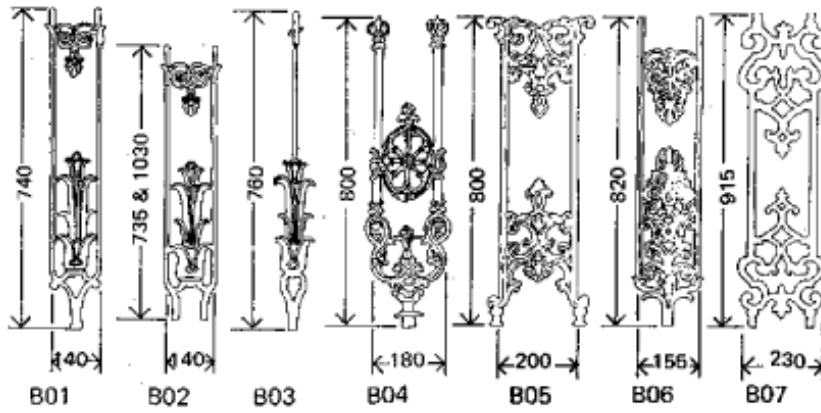


Bowed Castings Type B01, Chelsea, London

Cast Iron Balusters



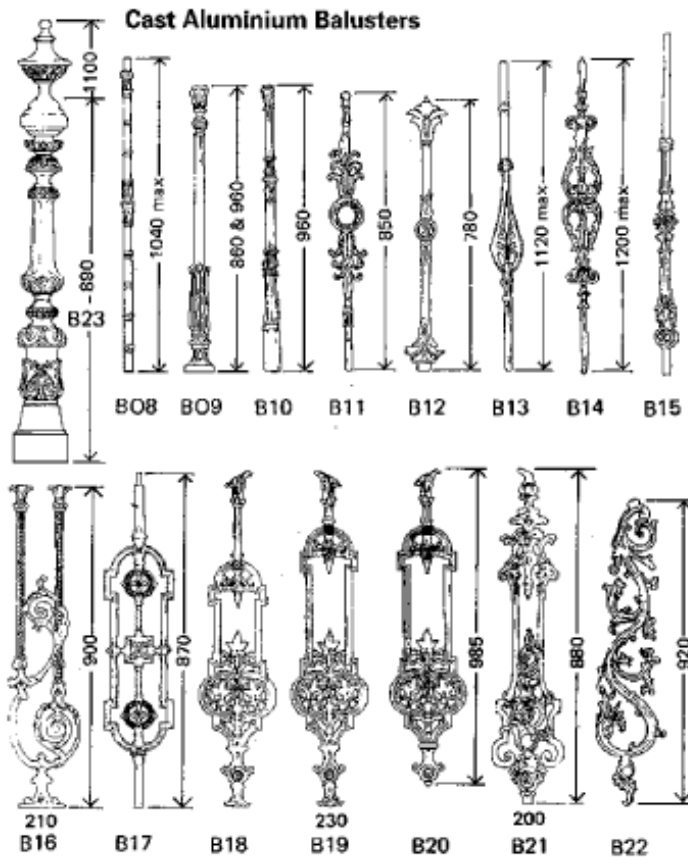
Bowed Castings (see photo)



Restaurant Stair Balustrade B16 - Southampton



Balconies - Pimlico, London (modified B12)



BRITANNIA - Railings and gates

Traditional Metalwork

Decorative metalwork in Cast iron, bronze, aluminium or wrought iron

- Balustrades and cast panels
- Railings and gates
- Brackets, columns, canopies, gazebos and loggias
- Ridge cresting, tie-bar plates & misc. castings
- Cast gratings and air bricks
- Bollards & sign posts
- Tree grilles & bench ends

Staircases

- Cast iron straight & radial stairs
- Cast iron spiral staircases

Conservation & restoration services

Design service, pattern making & specialised casting

Modern Street Furniture & Lighting

Street furniture

The DAE range from Barcelona

- Benches, chairs & cycle holder
- Bollards
- Illuminated bollards
- Planters
- Litter bins
- Drinking Fountains

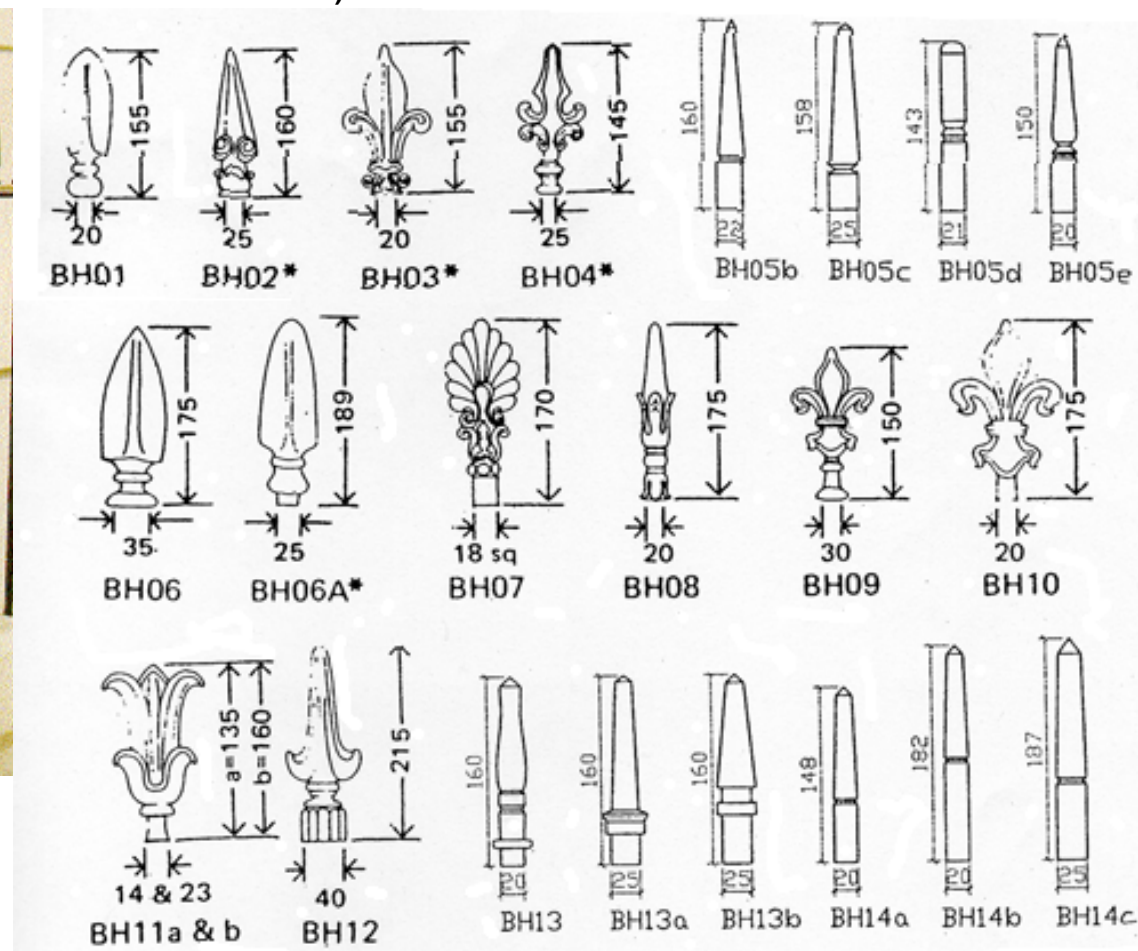
Railing heads | Gates | HOME

Standard Railing heads



Railings - Bessborough Gardens, Westminster

Standard Railing Heads in Cast Aluminium (Heads marked with * available in steel. Dimensions in mm)



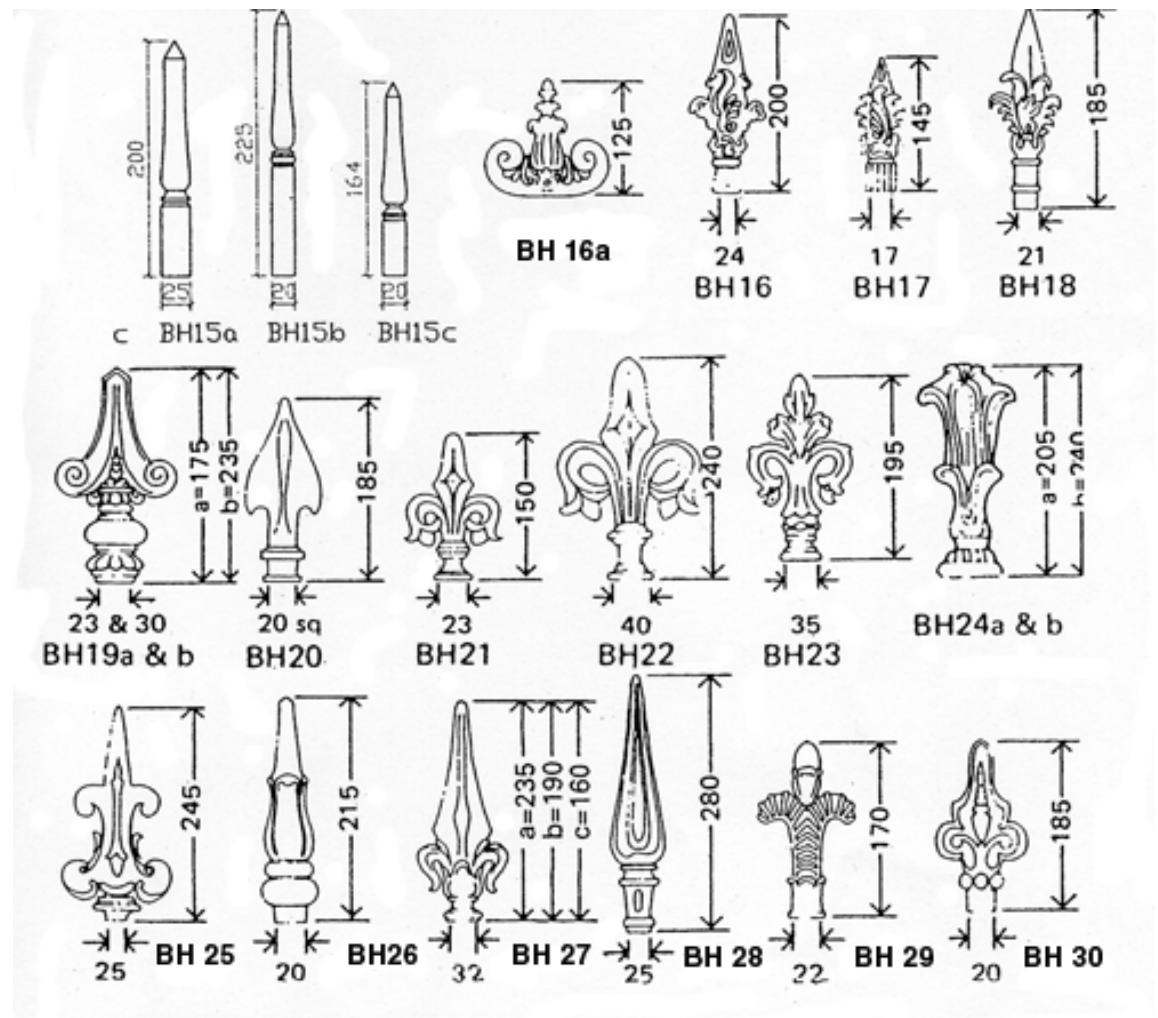
Street lighting

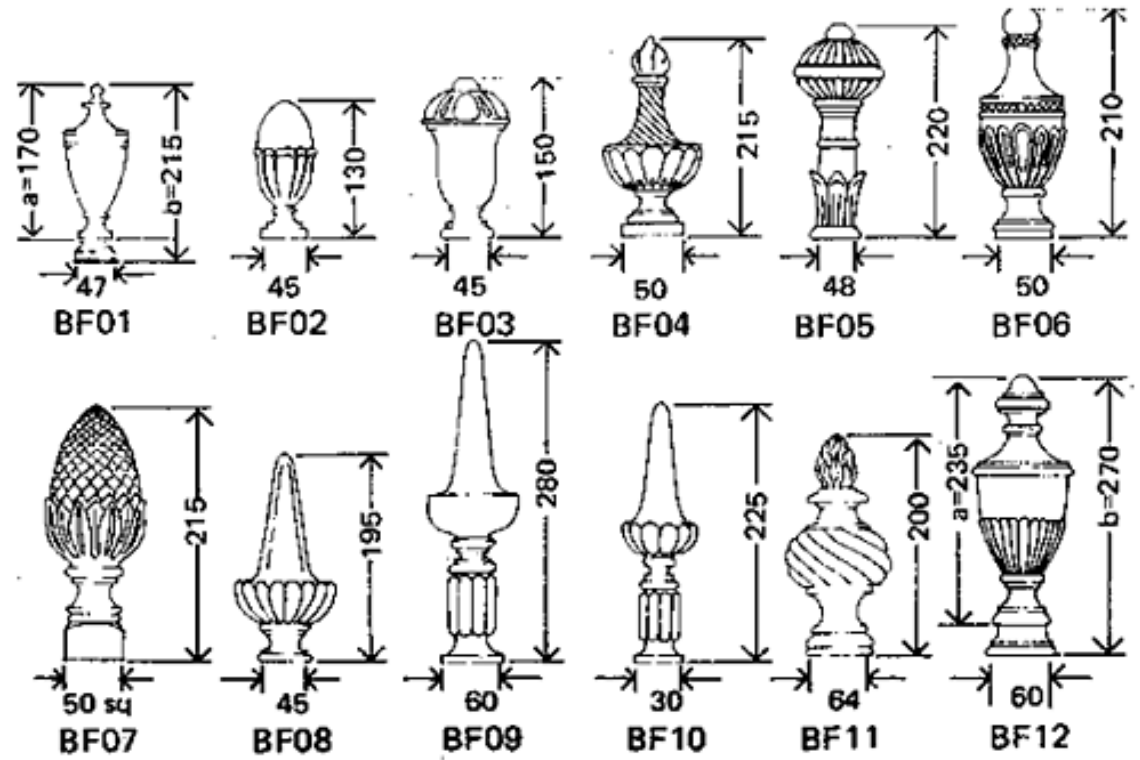
The DAE range from Barcelona

- Lighting columns
- Wall mounted fittings
- Feature lighting
- Bulkhead fittings

Contact us

HOME





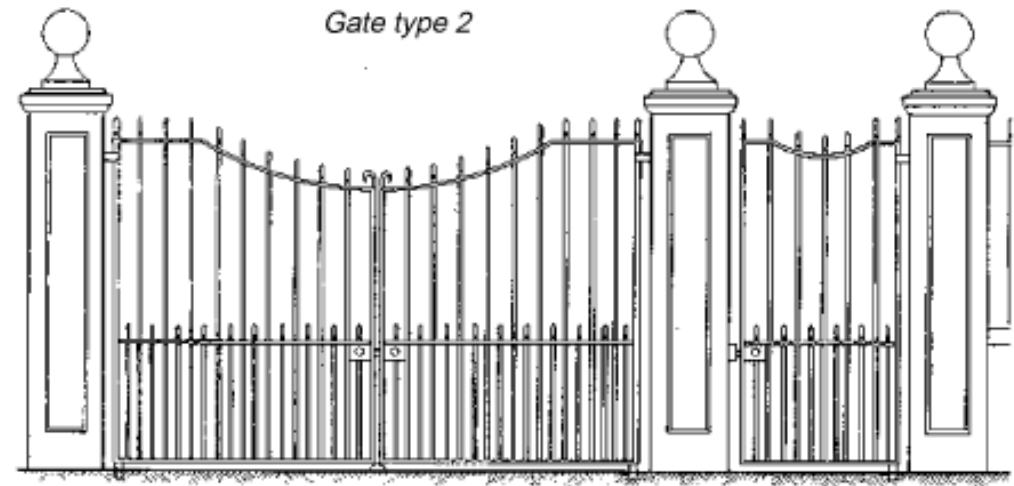
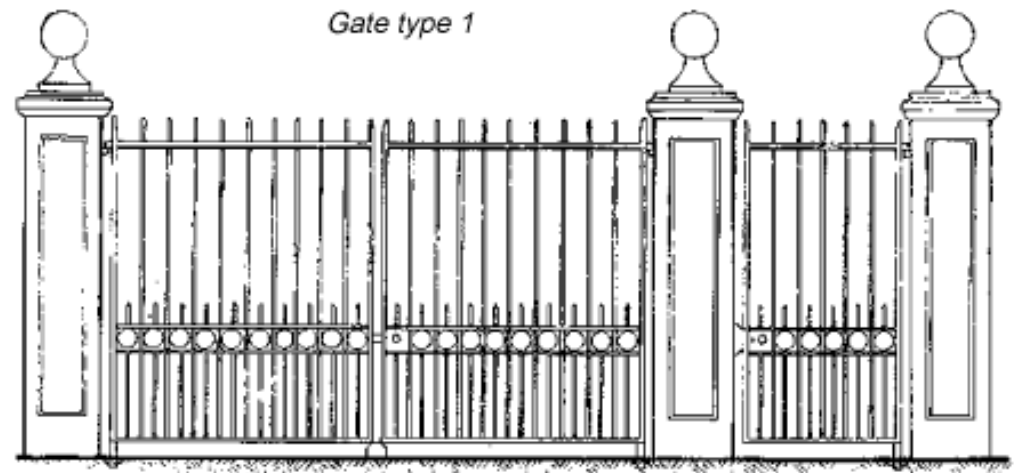
Gates



Standard Gate designs (made to order to size required)

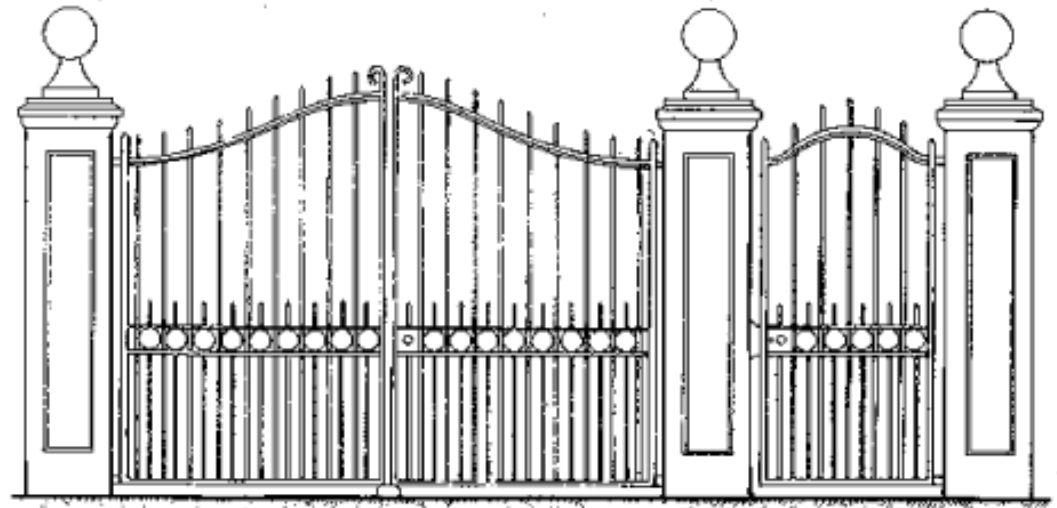
Ornate Cast Steel Gates -

Westminster





**Hand Wrought Gates - Blacksmith
Saraj Guha**



Although all gates are made to order and hence any steel section or railing head can be specified, the standard specification is as follows:
Main bars: - 25mm sq., Dog bars - 18mm., All framework carried out in mild steel. Railing heads cast aluminium or iron or forged to order. Gates supplied complete with simple pivot or socket hinges and finished in one coat oxide primer. Locks and overall dimensions to suit client.

Bespoke Gates: Made to individual design as required

Design Service

Britannia offers a design and consultancy service to advise clients on the installation of railings, staircases, etc. This service includes, depending upon the circumstances, measuring up on site and producing working drawings. The fee for this service is based on the time taken and may be waived if a sizeable order results.

Delivery

We deliver anywhere in the United Kingdom or abroad. Prices quoted are ex-works and all transportation is charged at cost.

Quotations

Please write or telephone stating as accurately as possible your requirements. If writing, please enclose copies of any relevant sketches, photographs or drawings.



**Repair of Gates - Royal
Geographical Society**



BRITANNIA - Brackets, columns, canopies, gazebos and loggias

Brackets | Gazebos | HOME

Traditional Metalwork

Decorative metalwork in Cast iron, bronze, aluminium or wrought iron

- Balustrades and cast panels
- Railings and gates
- Brackets, columns, canopies, gazebos and loggias
- Ridge cresting, tie-bar plates & misc. castings
- Cast gratings and air bricks
- Bollards & sign posts
- Tree grilles & bench ends

Staircases

- Cast iron straight & radial stairs
- Cast iron spiral staircases

Conservation & restoration services

Design service, pattern making & specialised casting

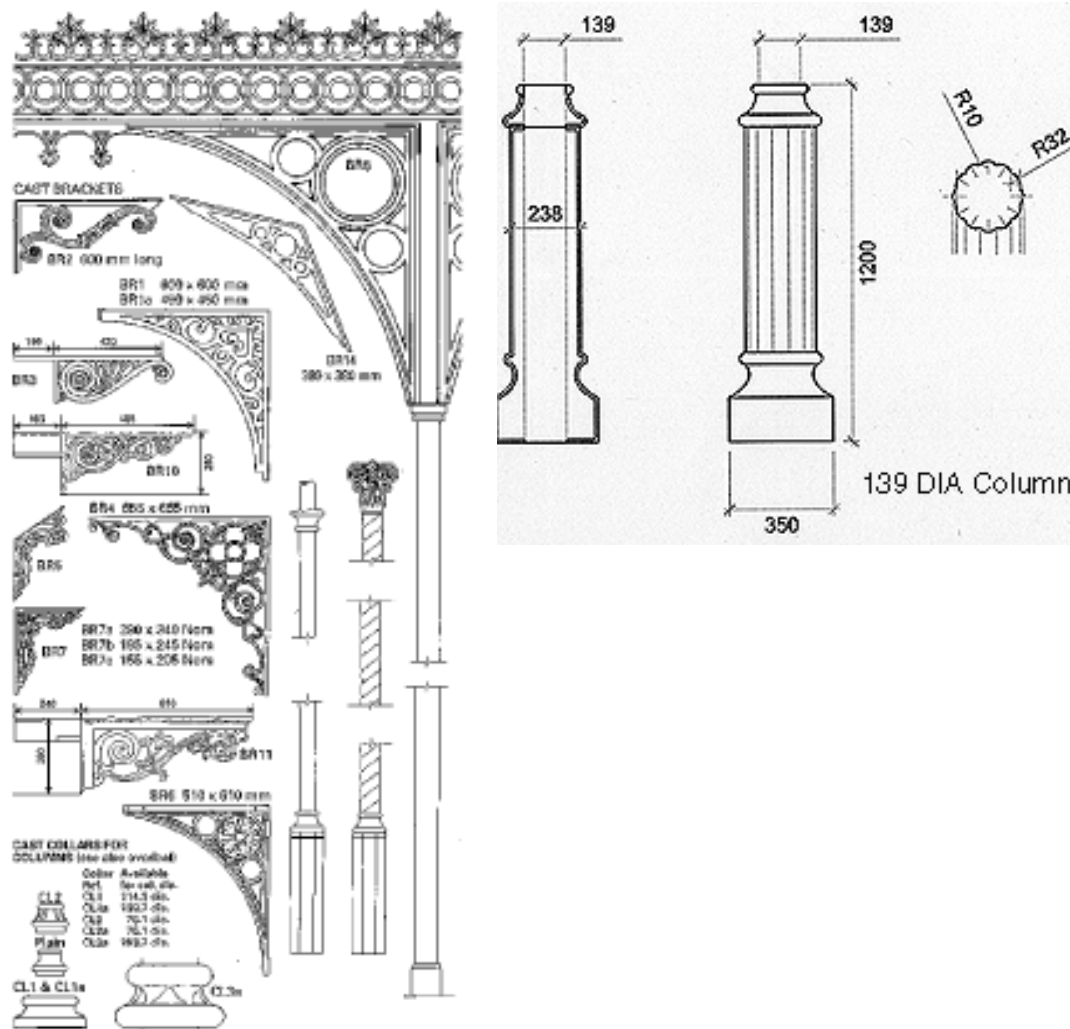
Modern Street Furniture & Lighting

Street furniture

The DAE range from Barcelona

- Benches, chairs & cycle holder
- Bollards
- Illuminated bollards
- Planters
- Litter bins
- Drinking Fountains

Brackets and columns



Octagonal leggias for 76 and 114 dia columns

Street lighting

The DAE range from Barcelona

- Lighting columns
- Wall mounted fittings
- Feature lighting
- Bulkhead fittings

Contact us

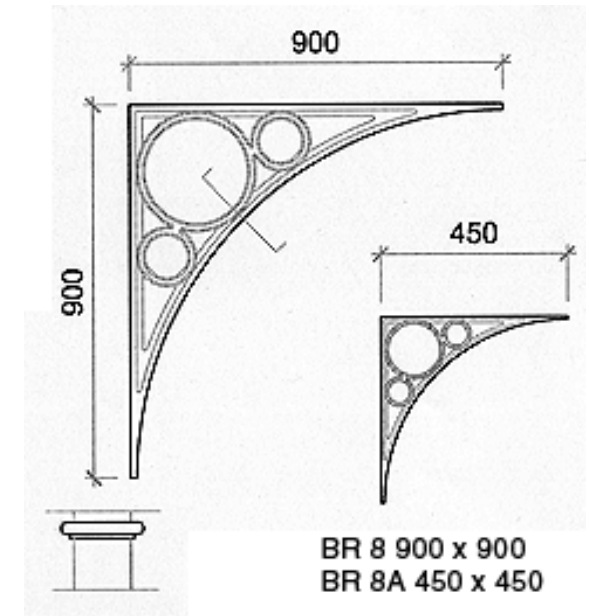
[HOME](#)



Tescos, Lewisham



↑
TOP

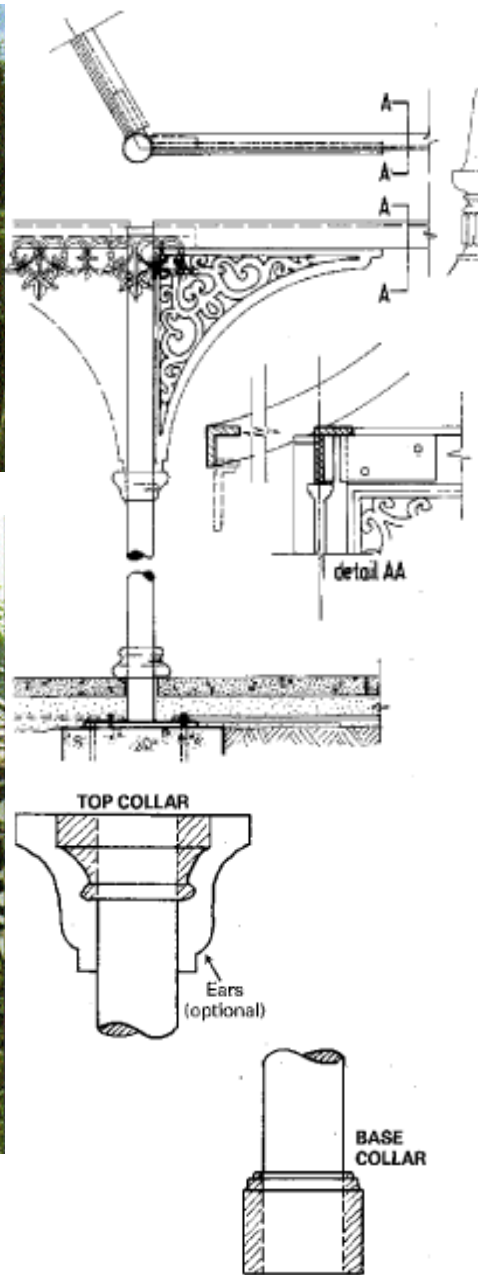


Gazebos and canopies

Apart from making canopies and gazebos to individual design, Britannia makes a standard hexagonal gazebo as illustrated left. The dimension and roof covering can be altered to suit individual requirements.



'Victorian' Gazebo



CAST COLLARS FOR TUBULAR COLUMNS

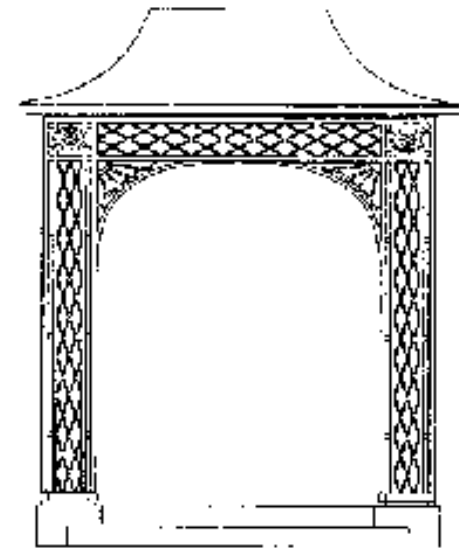
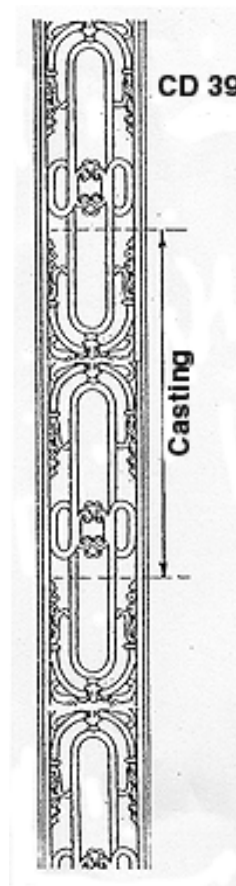
Britannia has a range of cast top & bottom collars to suit most standard tube sizes.

The collars are made in cast aluminium as pairs of 1/2 collars so that they can be fixed around insitu columns.

Column dia	Base col. Ref.	Top col. Ref.	Top collar without fins
139.7	CC03a	CC03b	CC03c
168.3	CC04a	CC04b	CC04c
193.7	CC05a	CC05b	CC05c
219.1	CC06a	CC06b	CC06c
273	CC07a	CC07b	CC07c



↑
TOP



BRITANNIA - Ridge crestings, tie-bar plates & misc. castings

HOME

Traditional Metalwork

Decorative metalwork in Cast iron, bronze, aluminium or wrought iron

- Balustrades and cast panels
- Railings and gates
- Brackets, columns, canopies, gazebos and loggias
- Ridge cresting, tie-bar plates & misc. castings
- Cast gratings and air bricks
- Bollards & sign posts
- Tree grilles & bench ends

Staircases

- Cast iron straight & radial stairs
- Cast iron spiral staircases

Conservation & restoration services

Design service, pattern making & specialised casting

Modern Street Furniture & Lighting

Street furniture

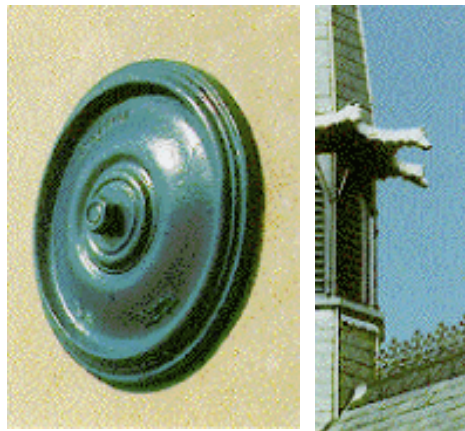
The DAE range from Barcelona

- Benches, chairs & cycle holder
- Bollards
- Illuminated bollards
- Planters
- Litter bins
- Drinking Fountains

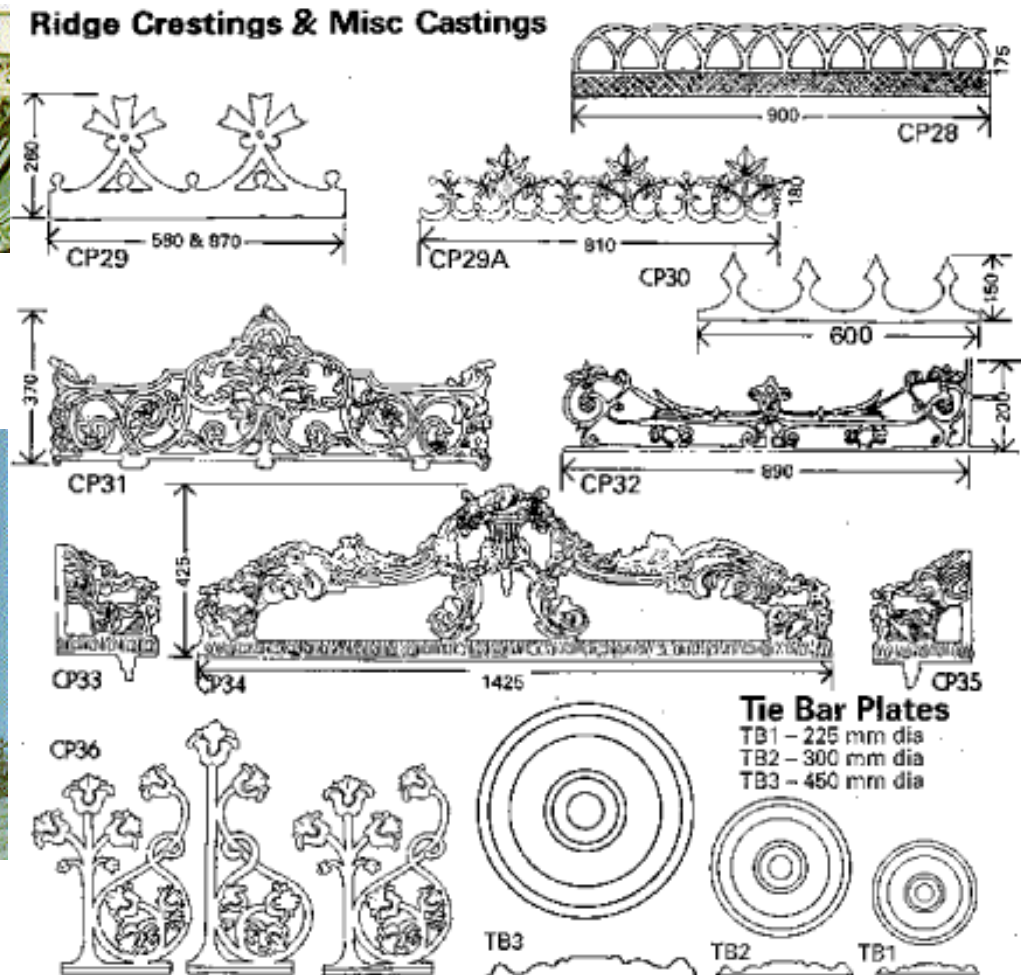
Ridge crestings, tie-bar plates & misc. castings



Above: Cresting CP28A & 29 - Grand Hotel, Brighton
 Below left: Tie Bar Plate TB2
 Below right: Cresting CP36



Ridge Crestings & Misc Castings



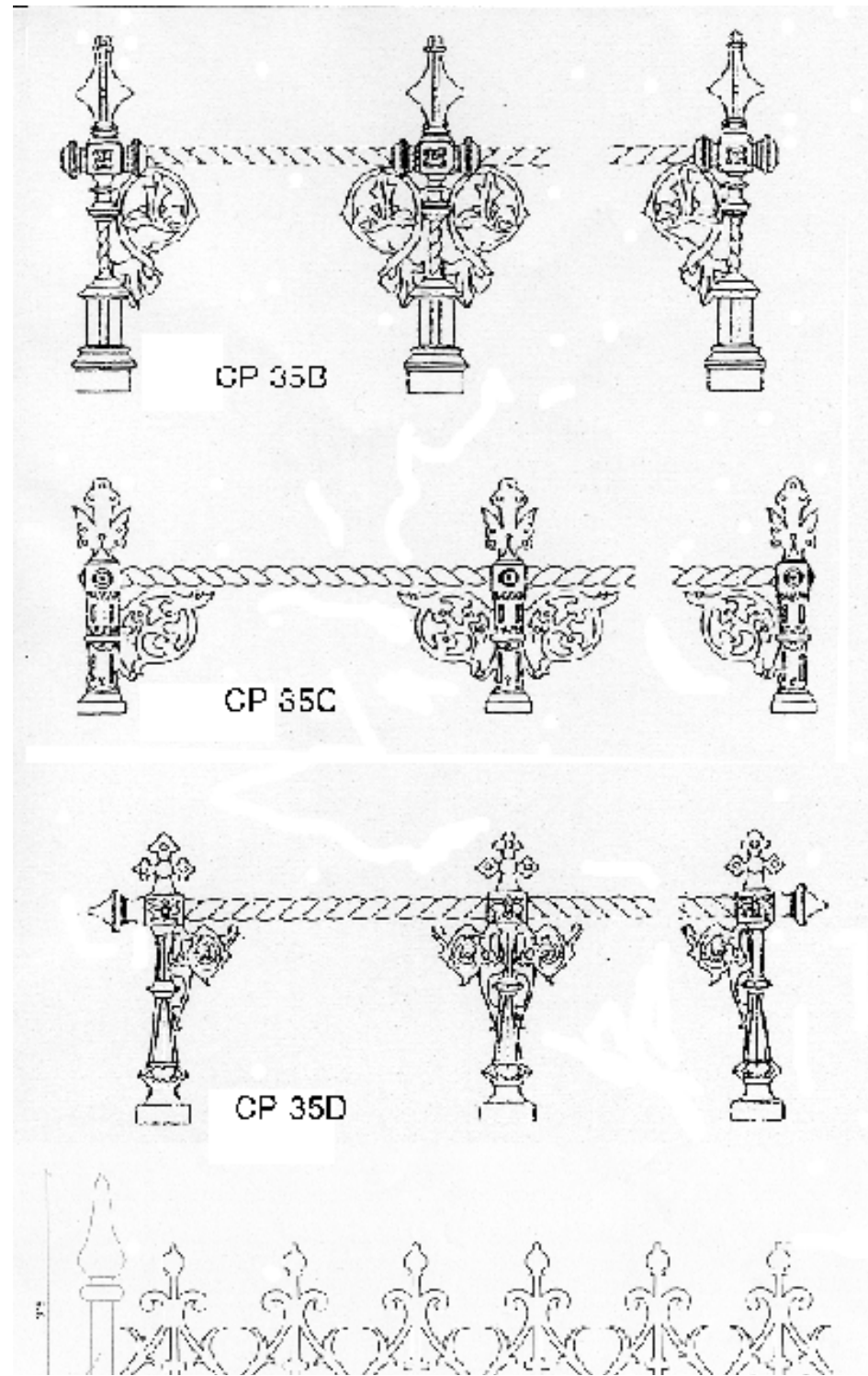
Street lighting

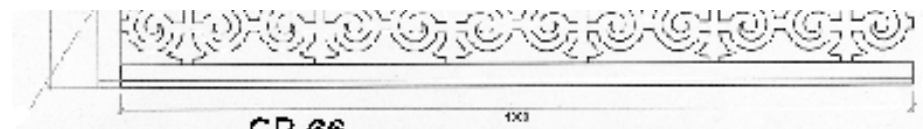
The DAE range from Barcelona

- Lighting columns
- Wall mounted fittings
- Feature lighting
- Bulkhead fittings

Contact us

HOME





BRITANNIA - Cast gratings and air bricks

HOME

Traditional Metalwork

Decorative metalwork in Cast iron, bronze, aluminium or wrought iron

- Balustrades and cast panels
- Railings and gates
- Brackets, columns, canopies, gazebos and loggias
- Ridge cresting, tie-bar plates & misc. castings
- Cast gratings and air bricks
- Bollards & sign posts
- Tree grilles & bench ends

Staircases

- Cast iron straight & radial stairs
- Cast iron spiral staircases

Conservation & restoration services

Design service, pattern making & specialised casting

Modern Street Furniture & Lighting

Street furniture

The DAE range from Barcelona

- Benches, chairs & cycle holder
- Bollards
- Illuminated bollards
- Planters
- Litter bins
- Drinking Fountains

Cast gratings



AIR 4 (130 dia) and AIR 5 (230 dia)

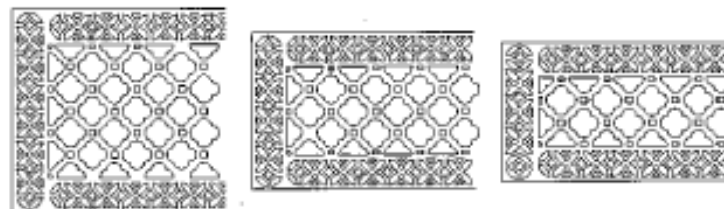


CGA 14A (1300 dia)

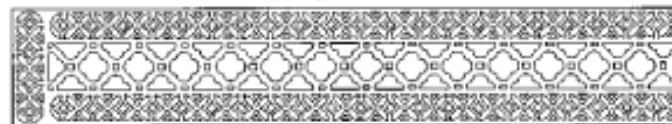


CGA 14B (1000 dia)

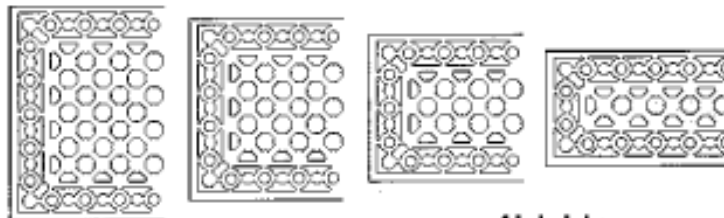
Cast Gratings



CGA01 9mm thick Any length in 325 or 170 width



CGA03 15mm thick (also available in bronze) Any length in varying widths



CGA01A 9mm thick (any size)

CGA03 16 mm x any size

CGA01B 50 mm wide

Air bricks



75 x 225 Nom. AIR1



150 x 225 Nom. AIR2



75 x 225 Nom. AIR3

CGAO 5

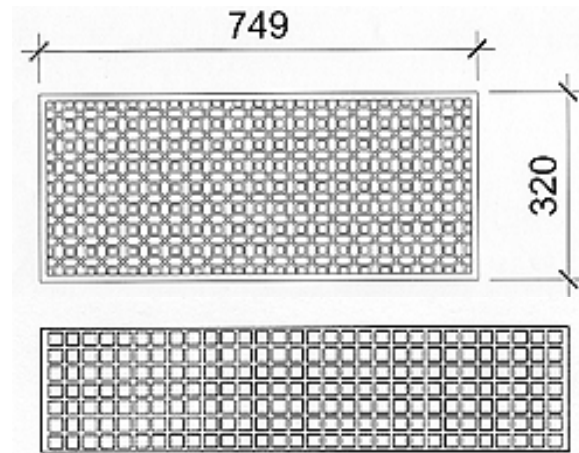
Street lighting

The DAE range from Barcelona

- Lighting columns
- Wall mounted fittings
- Feature lighting
- Bulkhead fittings

Contact us

[HOME](#)



BRITANNIA - Bollards and sign posts

HOME

Traditional Metalwork

Decorative metalwork in Cast iron, bronze, aluminium or wrought iron

- Balustrades and cast panels
- Railings and gates
- Brackets, columns, canopies, gazebos and loggias
- Ridge cresting, tie-bar plates & misc. castings
- Cast gratings and air bricks
- Bollards & sign posts
- Tree grilles & bench ends

Staircases

- Cast iron straight & radial stairs
- Cast iron spiral staircases

Conservation & restoration services

Design service, pattern making & specialised casting

Modern Street Furniture & Lighting

Street furniture

The DAE range from Barcelona

- Benches, chairs & cycle holder
- Bollards
- Illuminated bollards
- Planters
- Litter bins
- Drinking Fountains

Bollards and Sign posts

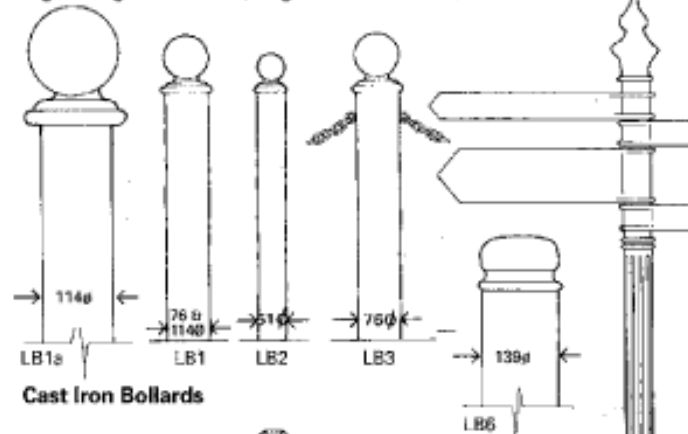


Bollard -CB5

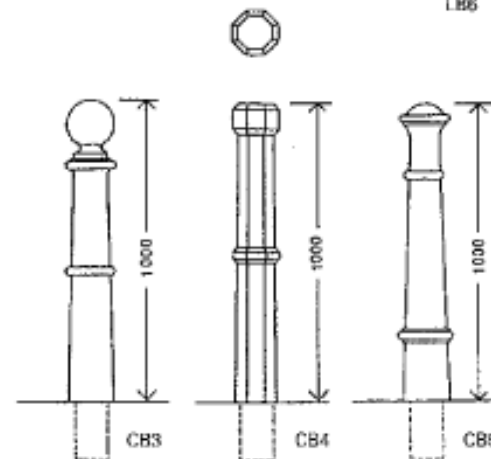


Sign Post - FG1a

Lightweight Bollards (height can be varied)



Cast Iron Bollards



Finger Signpost FG1a (FG1 is without fluting)



Street lighting

The DAE range from Barcelona

- Lighting columns
- Wall mounted fittings
- Feature lighting
- Bulkhead fittings

Contact us

HOME

BRITANNIA - Cast iron tree gratings & Park bench castings

HOME

Traditional Metalwork

Decorative metalwork in Cast iron, bronze, aluminium or wrought iron

- Balustrades and cast panels
- Railings and gates
- Brackets, columns, canopies, gazebos and loggias
- Ridge cresting, tie-bar plates & misc. castings
- Cast gratings and air bricks
- Bollards & sign posts
- Tree grilles & bench ends

Staircases

- Cast iron straight & radial stairs
- Cast iron spiral staircases

Conservation & restoration services

Design service, pattern making & specialised casting

Modern Street Furniture & Lighting

Street furniture

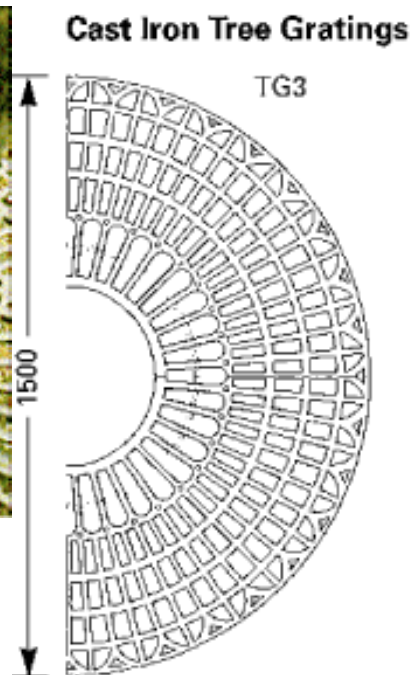
The DAE range from Barcelona

- Benches, chairs & cycle holder
- Bollards
- Illuminated bollards
- Planters
- Litter bins
- Drinking Fountains

Cast iron tree gratings & park bench castings

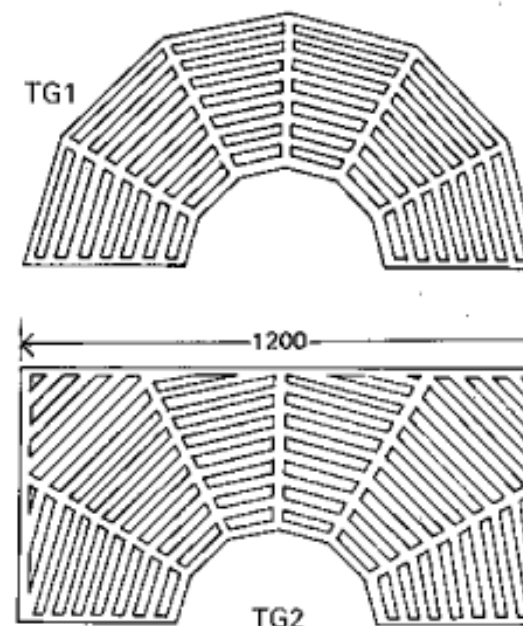


Tree grate TG3



Cast Iron Tree Gratings

TG3



TG1

1200

TG2

PARK BENCH CASTINGS



PB1



PB2

Street lighting

The DAE range from Barcelona

- Lighting columns
- Wall mounted fittings
- Feature lighting
- Bulkhead fittings

Contact us

HOME



BRITANNIA - Staircases straight and ornate

Traditional Metalwork

Decorative metalwork in Cast iron, bronze, aluminium or wrought iron

- Balustrades and cast panels
- Railings and gates
- Brackets, columns, canopies, gazebos and loggias
- Ridge cresting, tie-bar plates & misc. castings
- Cast gratings and air bricks
- Bollards & sign posts
- Tree grilles & bench ends

Staircases

- Cast iron straight & radial stairs
- Cast iron spiral staircases

Conservation & restoration services

Design service, pattern making & specialised casting

Modern Street Furniture & Lighting

Street furniture

The DAE range from Barcelona

- Benches, chairs & cycle holder
- Bollards
- Illuminated bollards
- Planters
- Litter bins
- Drinking Fountains

Street lighting

HOME

Straight and Ornate



Ornate Cast Iron Straight Staircases

Britannia's standard range of ornate cast iron straight staircases are replica Victorian Designs modified to accommodate the standard widths required by today's builders. The staircases can be supplied either ready to assemble complete with all screws and bolts etc. or just the castings for assembly by the client's own metalworkers. In addition to this standard range, Britannia can make specially designed staircases to order.

The Range

The standard tread design is based on the rose pattern which was in common use during the Victorian period. The tread is designed to be side fixed to the stringers and is available in five widths as follows: 600mm, 800mm, 900mm, 1000mm and 1100mm wide. Note: The Radiused treads shown at the bottom of the staircase illustrated in the photo are made to special order.



Balusters

The standard baluster used with both our spiral and straight staircases is our pattern A01 (or tulip baluster). These balusters are available in the sizes illustrated which are designed so that they can be modified to accommodate any balustrade height between 900mm and 1100mm so as to comply with the Building Regulations. The majority of other Britannia balusters can be specially adapted for use with the staircases (photo on page 18 shows baluster B22).

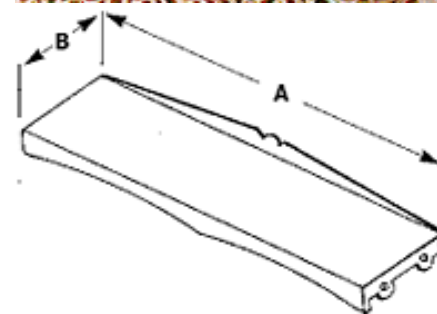


Table of Tread Dimensions:

Dimension A	Dimension B
600mm	240mm
800mm	240mm
900mm	240mm
1000mm	240mm
1100mm	280mm
landing plate	
1050mm	240mm

Finishes

The standard finish for all staircases is one coat of oxide primer ready for site decoration.

Tread Dimensions

The dimensions of the treads referred to in the diagram below are given in the table on the right.

The DAE range from Barcelona

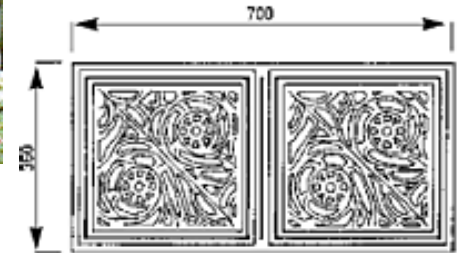
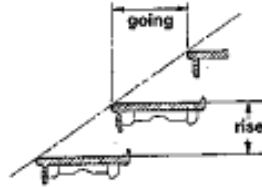
- Lighting columns
- Wall mounted fittings
- Feature lighting
- Bulkhead fittings

Contact us

HOME

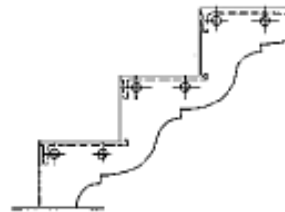
Rise and Going

The rise and going of the staircase can be adjusted so as to accommodate most applications by changing the pitch of the stringers and the position of the treads and their overlap within the stringers (see sketch).



Stringers

The treads are supported on two mild steel stringer which transfer the weight of the staircase to the buildings structure. The fixing gusset plates at the top and bottom of these stringers can be modified to suit site conditions. The standard steel stringer illustrated in the photo on page 17 can be replaced to special order by a profiled stringer as the attached sketch so as to produce a more traditional look.



Landings:

Cast decking for landings of the same width as the stairs can be made up of the same design of casting but without the upstand (see photo page 17). Britannia also manufacture a matching decking plate 1050mm long which is designed to rest on a steel framework. Irregular shaped landings can be decked using the 12mm thick cast iron decking panel ref. CGA11 illustrated above which can be cut



BRITANNIA - Staircases spiral stamper

HOME

Traditional Metalwork

Decorative metalwork in Cast iron, bronze, aluminium or wrought iron

- Balustrades and cast panels
- Railings and gates
- Brackets, columns, canopies, gazebos and loggias
- Ridge cresting, tie-bar plates & misc. castings
- Cast gratings and air bricks
- Bollards & sign posts
- Tree grilles & bench ends

Staircases

- Cast iron straight & radial stairs
- Cast iron spiral staircases

Conservation & restoration services

Design service, pattern making & specialised casting

Modern Street Furniture & Lighting

Street furniture

The DAE range from Barcelona

- Benches, chairs & cycle holder
- Bollards
- Illuminated bollards
- Planters
- Litter bins
- Drinking Fountains

Spiral stamper



'Victorian' range of ornate cast iron spiral staircases

Britannia Victorian cast iron spiral staircases are based on ornate Victorian originals. The staircases are supplied ready to assemble complete with all the necessary screws and bolts. The staircases can be made in any height in the styles and diameters set out below.

The Range

There are two types of spiral staircase supplied by Britannia - the standard Victorian range illustrated on this page and the more ornate Conservatory range. Both designs have the same rose pattern design cast in the treads although the standard range has been modified to comply fully with the current Building Regulations and hence gives a heavier and slightly less filigree appearance.

Size and Specification

The Victorian range comes in the following diameters: 1200mm, 1500mm, 1800mm and 2100mm. All castings are made of grey cast iron and finished in oxide primer. The handrails and centre columns are made of steel.

'Victorian' Range

Diameter	A	B	C	D	Tread angle
1200mm	610	480	240	130	24deg.
1500mm	765	635	305	160	24deg.
1800mm	930	800	375	195	24deg.
2100mm	1040	800	395	230	22.5deg.

Street lighting

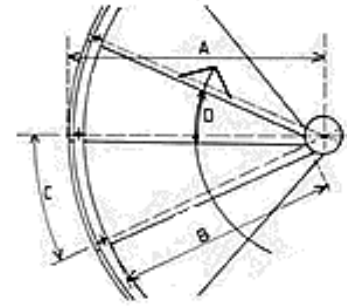
The DAE range from Barcelona

- Lighting columns
- Wall mounted fittings
- Feature lighting
- Bulkhead fittings

Contact us

HOME

*All dimensions nominal only



Rise: The rise of the steps can be adjusted to suit site conditions between 180mm and a maximum of 215mm.

Landings: The staircases can be supplied with either a steel landing frame to take flooring as required or a landing connecting collar to connect up to the existing landing structure.

Balusters: The standard baluster used with both our spiral and straight staircases is our pattern AO1 (or tulip baluster). These balusters are available in sizes designed so that they can be modified to accommodate any balustrade height between 900mm and 1100mm (to comply with the Building Regulations).

'CONSERVATORY' RANGE OF ORNATE CAST IRON SPIRAL STAIRCASES

Britannia 'Conservatory' range of cast iron spiral staircases are copies of ornate Victorian originals. The staircases are supplied ready to assemble complete with all the necessary screws and bolts. The staircases can be made in any height in the styles and diameters set out below.

The Range There are two types of spiral staircase supplied by Britannia the standard 'Victorian' range illustrated overleaf and the more ornate 'Conservatory' range shown on this page. It should be noted that the riser on the 1200dia. model is not perforated as the 1800 dia. one illustrated.



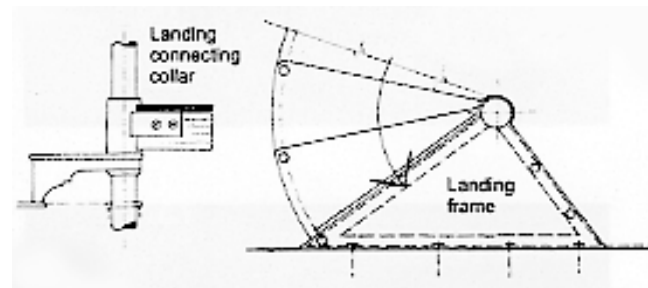
Sizes & Specification The 'Conservatory' range comes in 1200mm and 1800mm diameter. All castings are made of grey iron and finished in primer or powder coated. Handrails and centre columns are made of steel and supplied primed only.

'Conservatory' Range: *

Diameter	A	B	C	D	Tread angle
1200mm	600	485	230	130	22.5 deg.**
1800mm	930	800	375	195	24 deg.

*all dimension nominal only

**The riser on the 1200dia. model is not perforated



Rise: The rise of the steps can be adjusted to suit site conditions between 190mm & and a max. of 210mm.

Landings: The staircases can be supplied with either a steel landing frame to take flooring as required or a landing connecting collar to connect up to the existing landing structure.

Balusters: The standard tulip baluster used with both our spiral and straight staircases is pattern A01. These balusters are available in heights from 894 to 1094mm so that they can be modified to accommodate any balustrade height between 900mm and 1100mm (to comply with the Building Regulations). A number of other balusters available from Britannia can be modified as specials to be used as intermediate balusters such as the B25 shown in the photograph opposite.

Quotations: For a written quotation please send or fax the floor to floor height required, the diameter & model of the staircase and any additional requirements including information about the landing balustrade etc.



BRITANNIA - Wrought ironwork conservation & restoration services

HOME

Traditional Metalwork

Decorative metalwork in Cast iron, bronze, aluminium or wrought iron

- Balustrades and cast panels
- Railings and gates
- Brackets, columns, canopies, gazebos and loggias
- Ridge cresting, tie-bar plates & misc. castings
- Cast gratings and air bricks
- Bollards & sign posts
- Tree grilles & bench ends

Staircases

- Cast iron straight & radial stairs
- Cast iron spiral staircases

Conservation & restoration services

Design service, pattern making & specialised casting

Modern Street Furniture & Lighting

Street furniture

The DAE range from Barcelona

- Benches, chairs & cycle holder
- Bollards
- Illuminated bollards
- Planters
- Litter bins
- Drinking Fountains

Wrought ironwork conservation & restoration services



Britannia employs the skills of local blacksmiths who are experienced in dealing with most aspects of hand made wrought iron including the conservation and/or restoration of true wrought iron and where necessary its replication. This coupled with the Company's capabilities with cast ironwork enables Britannia to offer a full metalwork restoration service.

The Company's philosophical approach to metalwork restoration is similar to the SPAB's philosophy of minimal intervention. However, where appropriate Britannia can undertake the manufacture of exact replica work.

Prominent examples of restoration contracts undertaken include the restoration of the cast and wrought ironwork on the Temple Bar gates in London (minimal intervention approach) and replacement of the fine eighteenth century railings to Shoreditch Church that were removed during the War (exact replica based on historical evidence).

Street lighting

The DAE range from Barcelona

- Lighting columns
- Wall mounted fittings
- Feature lighting
- Bulkhead fittings

Contact us

[HOME](#)



Re-hanging the gates to the Temple Bar after restoration



BRITANNIA - Design Service, Pattern making & Specialised Castings

HOME

Traditional Metalwork

Decorative metalwork in Cast iron, bronze, aluminium or wrought iron

- Balustrades and cast panels
- Railings and gates
- Brackets, columns, canopies, gazebos and loggias
- Ridge cresting, tie-bar plates & misc. castings
- Cast gratings and air bricks
- Bollards & sign posts
- Tree grilles & bench ends

Staircases

- Cast iron straight & radial stairs
- Cast iron spiral staircases

Conservation & restoration services

Design service, pattern making & specialised casting

Modern Street Furniture & Lighting

Street furniture

The DAE range from Barcelona

- Benches, chairs & cycle holder
- Bollards
- Illuminated bollards
- Planters
- Litter bins
- Drinking Fountains

Design Service, Pattern Making & Specialised Castings

Design Consultancy Services:

Britannia has a wealth of experience in designing, manufacturing and installing all types of traditional architectural metalwork. Hence the Company is able to act either in the normal capacity of a manufacturer and contractor or as a specialist consultant to architects, surveyors and other construction professionals advising on all aspects of architectural metalwork.

This consultancy service can include in addition to general advice on metalworking techniques and detailing, advice on restoration of metalwork, site surveying and recording, detailed design and even obtaining Planning and Listed Building Consents.

Pattern Making Services:

Britannia offer a full pattern making service including making replica castings from originals. In most cases this will involve removing an original from the site and taking impressions directly from it. Such replica castings are not unduly expensive and do not require specialist pattern-making skills but in cases where the existing casting to be copied is not available (i.e. removed long ago) and one has to rely on historical evidence, creating the replica pattern requires very special skills.

The illustrations below show the creation some years ago of replica castings for Peckham Rye Station, the originals of which were removed during the War. In this case no clear drawings or photos of the originals could be found and all the patternmaker had to rely on was gleaned from the background of old photos.

The Pattern Making & Casting Process

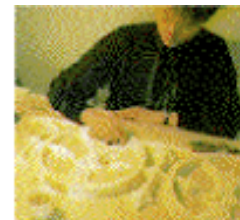
1. Working drawings



2. Clay impressions



3. Resin pattern



Street lighting

The DAE range from Barcelona

- Lighting columns
- Wall mounted fittings
- Feature lighting
- Bulkhead fittings

Contact us

HOME

4. Finished pattern



5. Pouring the casting



6. The finished elevation



Specialised Castings:

Using the skills referred to above the Company can make specialised castings to the individual design of architects or designers. We can also help designers develop prototypes.



BRITANNIA - Modern, benches, chairs & cycle holder

DAE - MONTSENY | KORO | PROA | ANA | MONTSERRET | GARRAF | BICIPODA | HOME

Britannia Architectural Metalwork Ltd, DAE sole agents for UK & Ireland

Traditional Metalwork

Decorative metalwork in Cast iron, bronze, aluminium or wrought iron

- Balustrades and cast panels
- Railings and gates
- Brackets, columns, canopies, gazebos and loggias
- Ridge cresting, tie-bar plates & misc. castings
- Cast gratings and air bricks
- Bollards & sign posts
- Tree grilles & bench ends

Staircases

- Cast iron straight & radial stairs
- Cast iron spiral staircases

Conservation & restoration services

Design service, pattern making & specialised casting

Modern Street Furniture & Lighting

Street furniture

The DAE range from Barcelona

- Benches, chairs & cycle holder
- Bollards
- Illuminated bollards
- Planters
- Litter bins
- Drinking Fountains

MONTSENY 70/11



70/11-1



70/11-1



70/11-1

70/11

Bench "MONTSENY"

Design: Leopoldo Milá

© Leopoldo Milá. Barcelona 1990

© DAE, S.A. Barcelona 1990

Selected for ADI-FAD Delta Awards 1991

Material:

Painted cast-iron legs.
 Back-rest and seat of "IROKO" coated wood.
 Stainless steel screws and nuts.
 Anchored to the ground with blind anchorbolts.

Colour:

Legs in black forge.
 Consult factory for other options.

Aprox. weight

Double bench (3 m)	131 Kg.
Single bench (1,5 m)	83 Kg.
Armchair (0,60 m)	72 Kg.

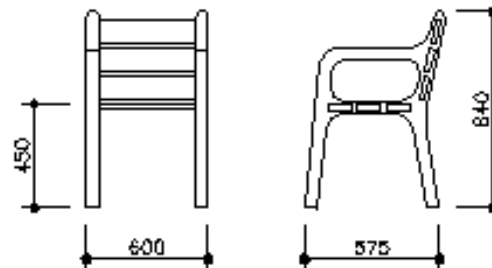
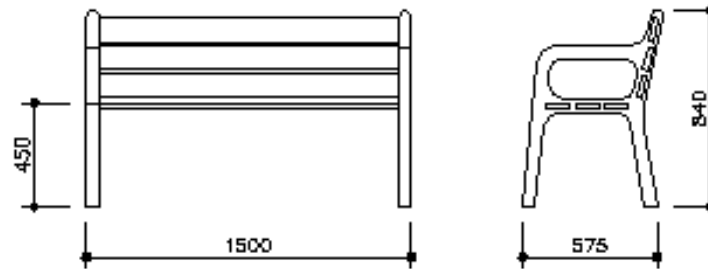
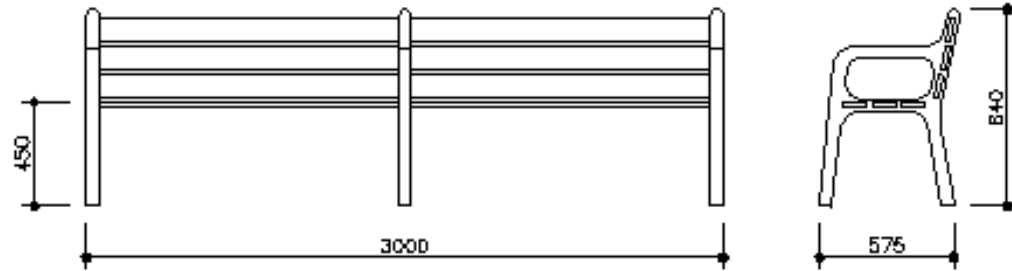
Street lighting

The DAE range from Barcelona

- Lighting columns
- Wall mounted fittings
- Feature lighting
- Bulkhead fittings

Contact us

HOME



Banco MONTSENY
Diseño: Leopoldo Milá.



KORO 70/15



70/15-1



70/15-2



70/15-3

70/15

Bench "KORO"

Design: **Patxi Mangado**

© Patxi Mangado. Pamplona 1994

© DAE, S.A. Barcelona 1997

Material:

Painted cast-iron bench legs.

Frame for subjection of wood painted stainless steel.

Seat and back-rest of "IROKO" coated wood.

Stainless steel screws and nuts.

Anchored to the ground with blind anchor-bolts.

Colour:

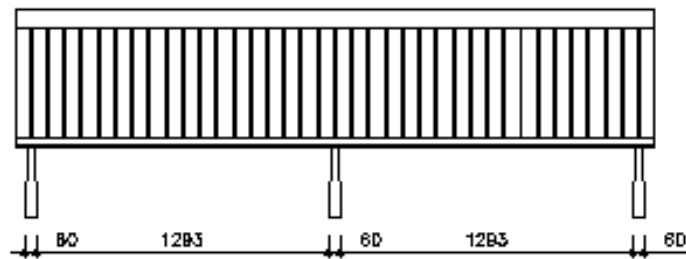
Legs in black forge.

Consult factory for other options.

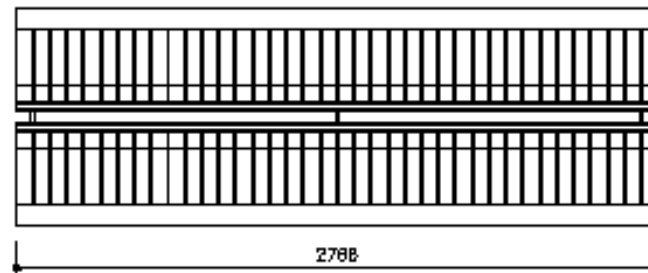
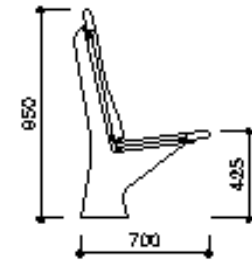
Aprox. weight

Bench (2,60 m):	200 Kg.
Double side bench (2,60 m):	438 Kg.
Bench without back- rest (2,60 m):	132 Kg.

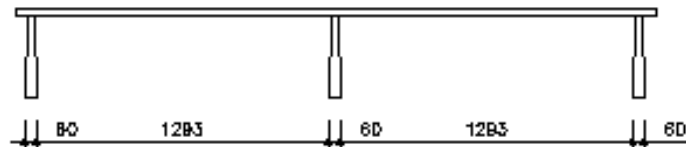
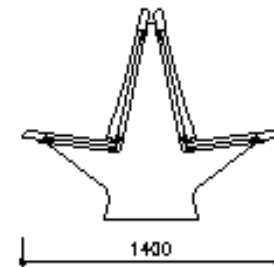
Bench "KORO" can be indefinitely extended creating "urban lines" as space limits.



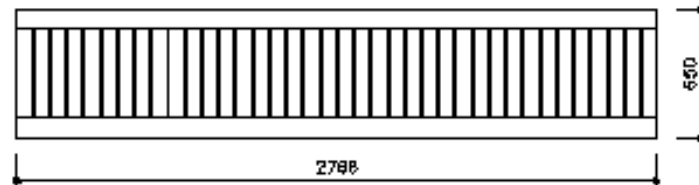
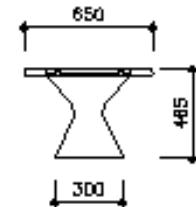
Alzada



Planta



Alzada



Planta



Banco KORO
Diseño: Patxi Mangado



PROA 70/18



70/18-1



70/18-2



70/18-3

70/18

Bench "PROA"

Design: **Oliver Scheffer**

© Oliver Scheffer. Rotterdam 2000

© DAE, S.A. Barcelona 2000

Material:

Painted cast-iron legs.

Support of slats wood in anodised cast aluminium.

"IROKO" coated wood.

Stainless steel screws.

Anchored to the ground with blind anchor-bolts.

Colour:

Bench legs black forge.

Anodised support.

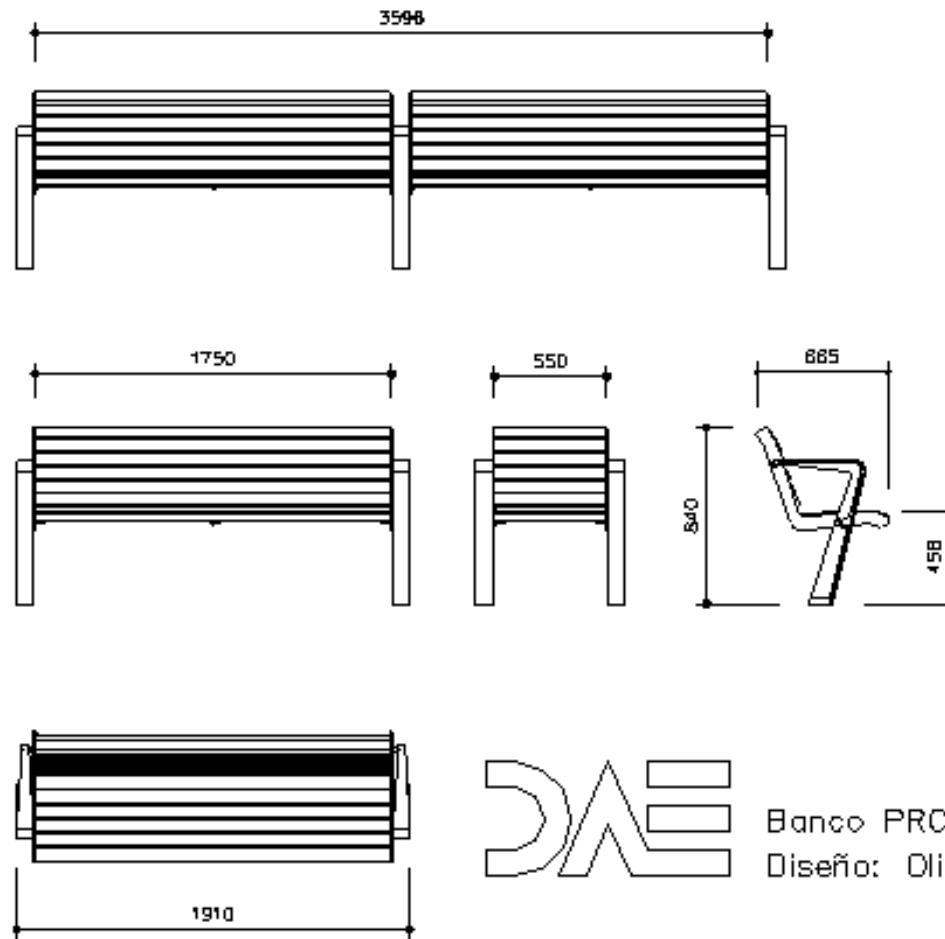
Consult factory for other options.

Aprox. Weight:

Bench double : 146 Kg.

Bench 1,75m.: 85 Kg.

Armchair 0,60m.: 62 Kg.



Banco PROA
Diseño: Olivier Scheffer



ANA 70 /17



70/17-1

Apoyabrazos opcional



70/17-2



70/17-3

70/17

Bench "ANA"

Design: **Leopoldo Milá**

© Leopoldo Milá. Barcelona 2000

© DAE, S.A. Barcelona 2000

Material:

Painted cast-iron bench legs.
Backrest and seat of "IROKO" coated wood.
Stainless steel screws and nuts.
Anchored to the ground with blind anchor-bolts.

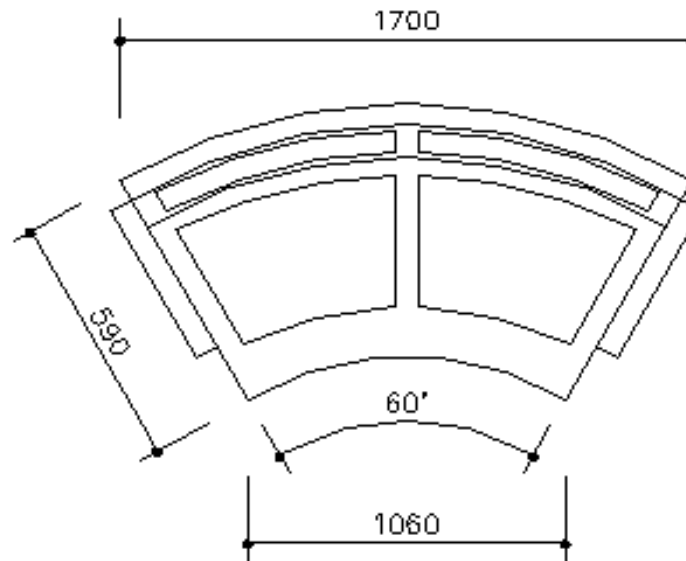
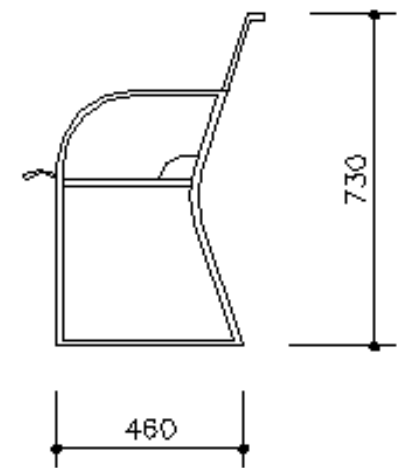
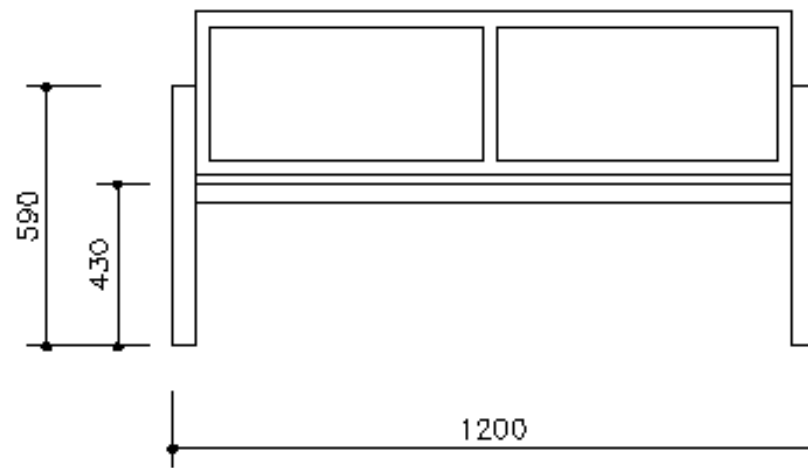
Colour:

Bench legs black forge.
Consult factory for other options.

Aprox. Weight:

Bench 3 m.	147 Kg.
Bench 1,5 m.	86 Kg.
Chair 0,55 m.	64 Kg.

The possibility of this bench permits to extend it with no limits. In the same way, we have eliminated all sharp corners in order to reduce incidents to the user.



Banco MONTSERRAT
Diseño: Miguel Milá y
Carlos Marzábal.



MONTSERRAT 70/10



70/10-1



70/10-2



70/10

Bench "MONTSERRAT"

Design: **Miguel Milá and Carlos Marzábal**

© Miguel Milá and Carlos Marzábal.

Barcelona 1988

© DAE, S.A. Barcelona 1990

Selected for ADI-FAD Delta Awards 1991

Material:

Painted cast-iron.

Anchored to the ground with blind anchor-bolts.

Colour:

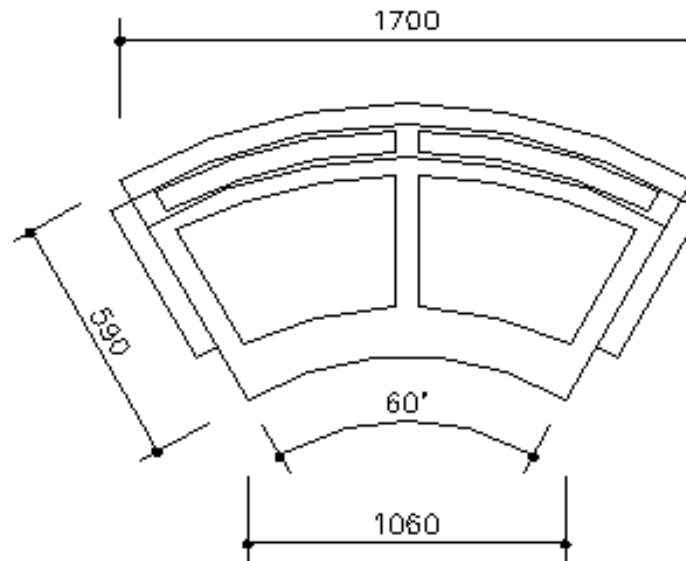
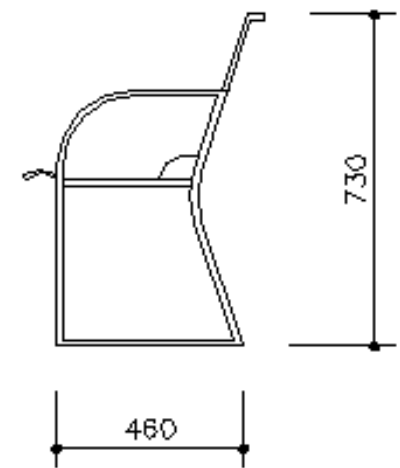
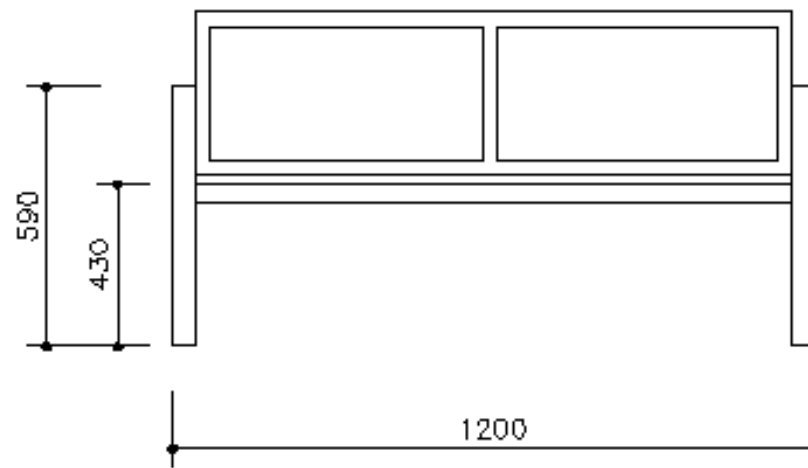
Black forge.

Consult factory for other options.

Aprox. weight:

Straight bench: 100 Kg.

Curved bench: 107 Kg.



Banco MONTSERRAT
Diseño: Miguel Milá y
Carlos Marzábal.



GARRAF 70/12



70/12

Bench "GARRAF"

Design: **Leopoldo Milá**

© Leopoldo Milá. Barcelona 1992

© DAE, S.A. Barcelona 1992

Material:

Painted cast-iron legs.

Seat and back-rest of galvanized and painted steel.

Stainless steel screws and nuts.

Anchored to the ground with blind anchor-bolts.

Colour:

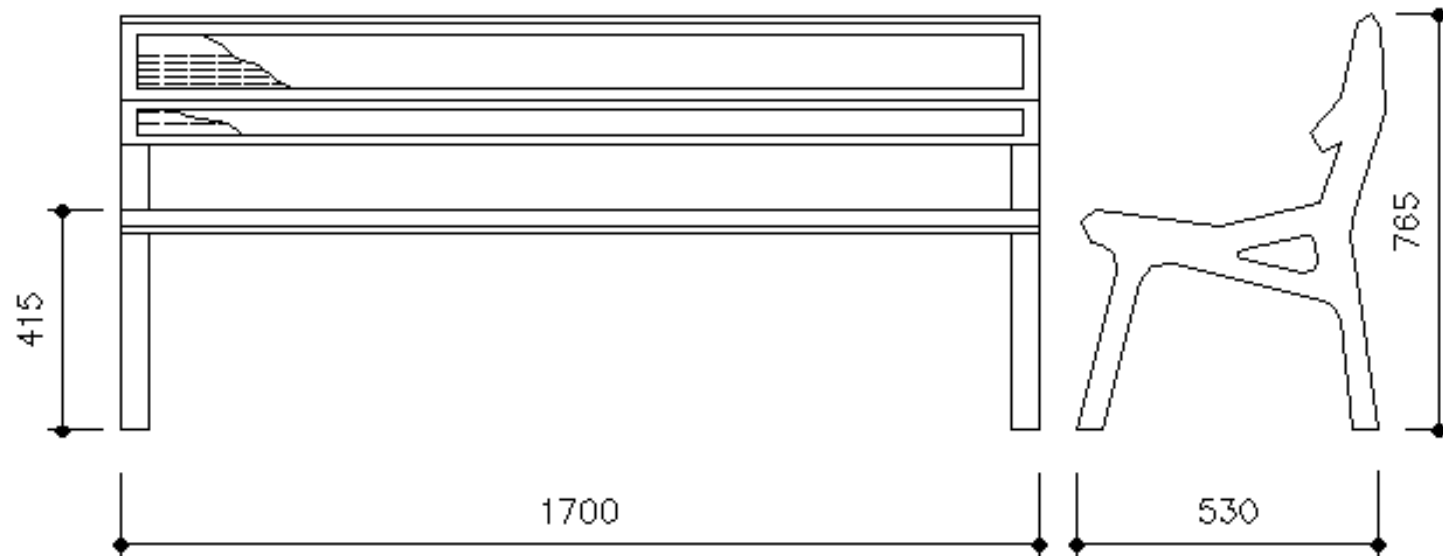
Legs in black forge.

Seat and back-rest in steel grey.

Consult factory for other options.

Aprox. weight: Bench 44 Kg.





Banco GARRAF
Diseño: Leopoldo Milá.



BICIPODA 70/91



70/91

Cycle-holder "BICIPODA"

Design: **Pete Sans**

© Pete Sans. Barcelona 1995

© DAE, S.A. Barcelona 1996

Material:

Galvanized steel

Intallation:

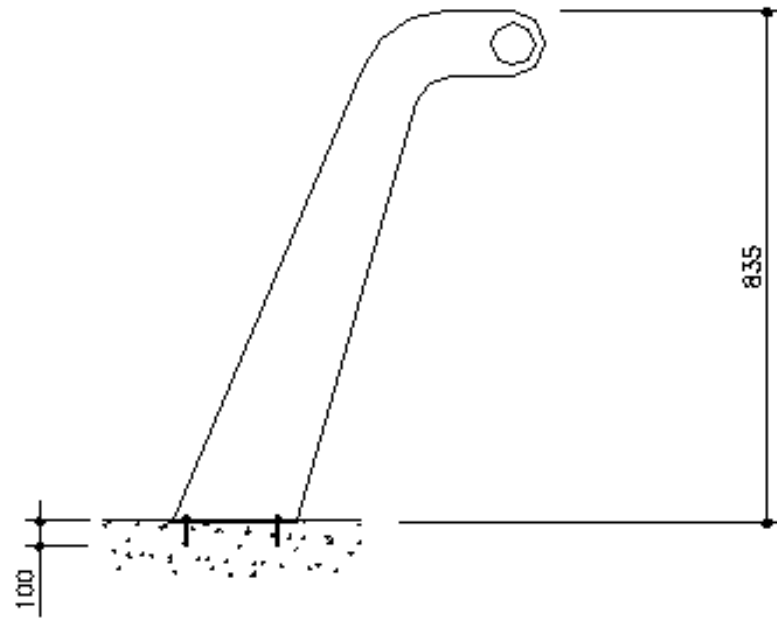
With flat-top anchorbolts, once the pavement is finished.

Colour: Galvanized

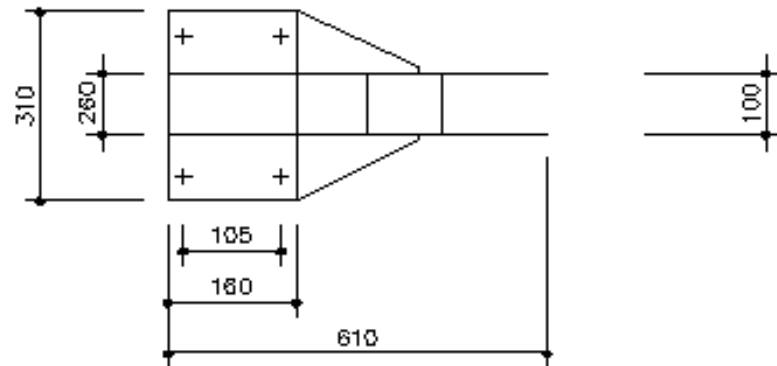
Aprox. weight: 17,5 Kg.



Cycle-holder "BICIPODA" has been designed to avoid the robbery of bicycles and specially of its most important components: the result is a small dimensions cycle-holder in which the user can keep safe the frame and protect the front wheel with a standard padlock in a fast and easy way.



Aparcamiento BICIPODA
Diseño: Pete Sans.



↑
TOP

BRITANNIA - Modern bollards

Traditional Metalwork

Decorative metalwork in Cast iron, bronze, aluminium or wrought iron

- Balustrades and cast panels
- Railings and gates
- Brackets, columns, canopies, gazebos and loggias
- Ridge cresting, tie-bar plates & misc. castings
- Cast gratings and air bricks
- Bollards & sign posts
- Tree grilles & bench ends

Staircases

- Cast iron straight & radial stairs
- Cast iron spiral staircases

Conservation & restoration services

Design service, pattern making & specialised casting

Modern Street Furniture & Lighting

Street furniture

The DAE range from Barcelona

- Benches, chairs & cycle holder
- Bollards
- Illuminated bollards
- Planters
- Litter bins
- Drinking Fountains

DAE - TENTE | MONTSERRET | HOME

Britannia Architectural Metalwork Ltd, DAE sole agents for UK & Ireland

TENTE 70/72



70/72

Bollard "TENTE"

Design: **Leopoldo Milá**

© Leopoldo Milá. Barcelona 1995

© DAE, S.A. Barcelona 1995

Material:

Top finishing, base and mechanism box of painted cast-iron.

Vertical shaft of stainless steel or galvanized and painted steel.

Mechanism protected against corrosion (dichormated).
Stainless steel screws and nuts.

Colour:

Steel grey or black forge.

Consult factory for other options.

Aprox. weight: 23.2 kg.

Bollard "TENTE" works with an elastic anchored dispositive which allows the protection shaft to move back while receiving an impact or pressure, of 60 kg, and to return back to its original position once the pressure is over. Its maximun inclination is of 37°.



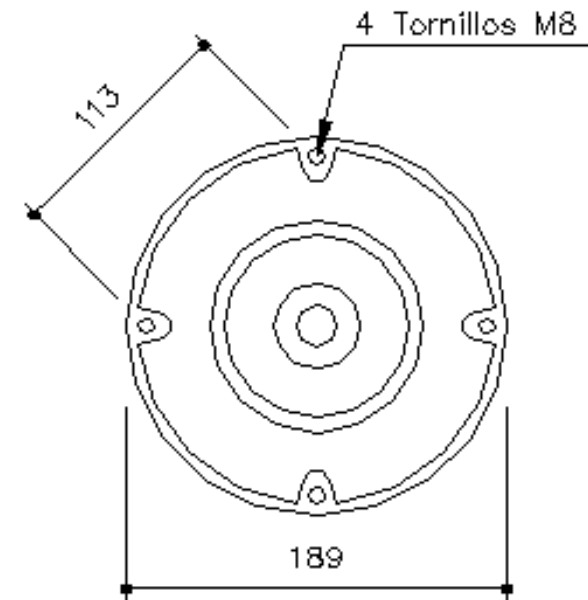
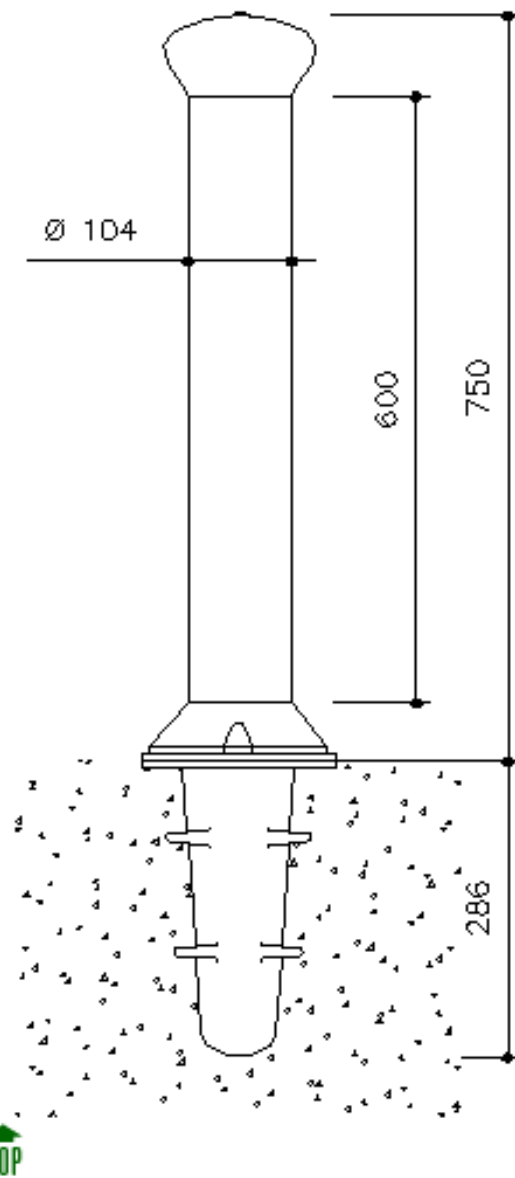
Street lighting

The DAE range from Barcelona

- Lighting columns
- Wall mounted fittings
- Feature lighting
- Bulkhead fittings

Contact us

[HOME](#)



Pilona TENTE
Diseño: Leopoldo Milá.

MONTSERRAT 70 /70



70/70

Bollard "MONTSERRAT"

Design: **Miguel Milá and Carlos Marzábal**

© Miguel Milá and Carlos Marzábal. Barcelona 1988

© DAE, S.A. Barcelona 1990

Material:

Painted cast-iron.

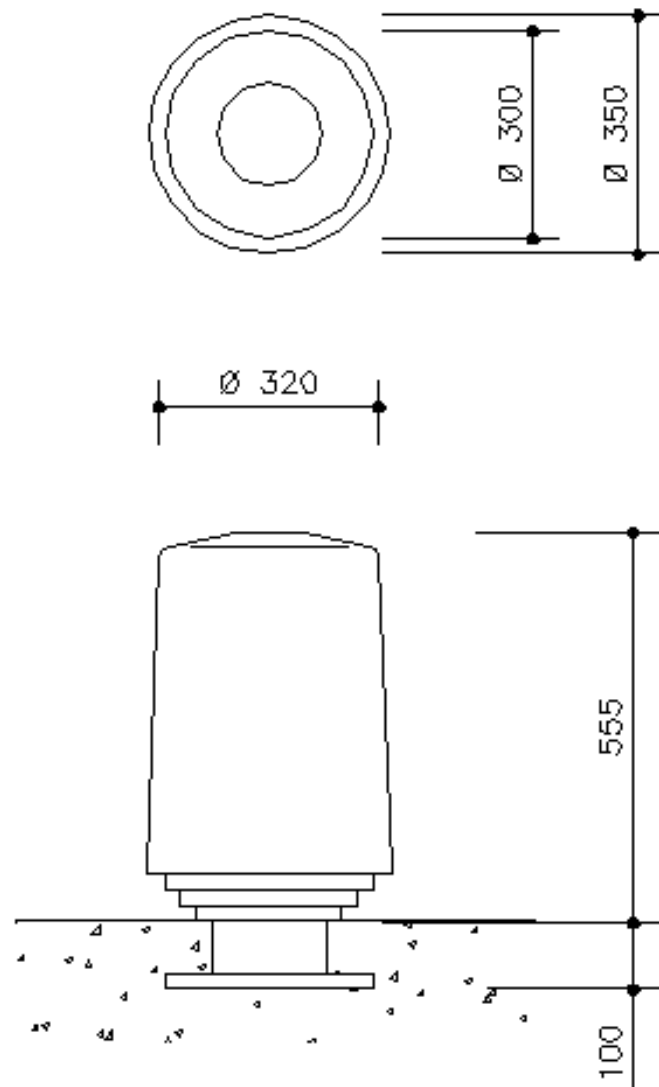
Colour:

In Black forge

Consult factory for other options.

Aprox. weight: 77 Kg





↑
TOP



Pilona MONTSERRAT
Diseño: Miguel Milá,
Carlos Marzábal.

BRITANNIA - Modern illuminated bollards

DAE - NORAY | LAMBDA | VILANOVA | TEA | ALFAZ | PARTERRE | HOME

Britannia Architectural Metalwork Ltd, DAE sole agents for UK & Ireland

Traditional Metalwork

Decorative metalwork in Cast iron, bronze, aluminium or wrought iron

- Balustrades and cast panels
- Railings and gates
- Brackets, columns, canopies, gazebos and loggias
- Ridge cresting, tie-bar plates & misc. castings
- Cast gratings and air bricks
- Bollards & sign posts
- Tree grilles & bench ends

Staircases

- Cast iron straight & radial stairs
- Cast iron spiral staircases

Conservation & restoration services

Design service, pattern making & specialised casting

Modern Street Furniture & Lighting

Street furniture

The DAE range from Barcelona

- Benches, chairs & cycle holder
- Bollards
- Illuminated bollards
- Planters
- Litter bins
- Drinking Fountains

NORAY 70/73



70/73

Bollard "NORAY"

Design: **Leopoldo Milá**

© Leopoldo Milá. Barcelona 1999

© DAE, S.A. Barcelona 1999

Material:

Base and top screen of painted cast-iron.
Methacrylate shade, 3 cm. thick.
Stainless steel screws and nuts.
Stainless steel anchorbolts.

Electrical installation:

Prepared for SL CONFORT 21W. PHILIPS.

Colour:

Base and top screen in black forge.
Consult factory for other options.

Aprox weight: 47 Kg

IP66



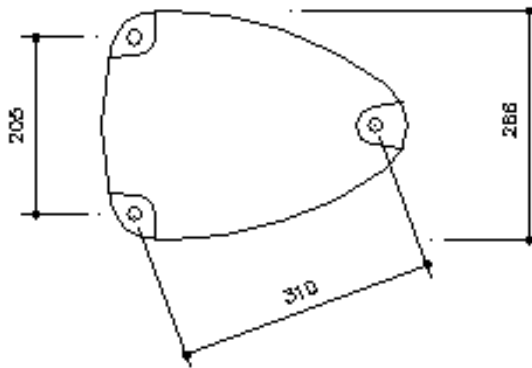
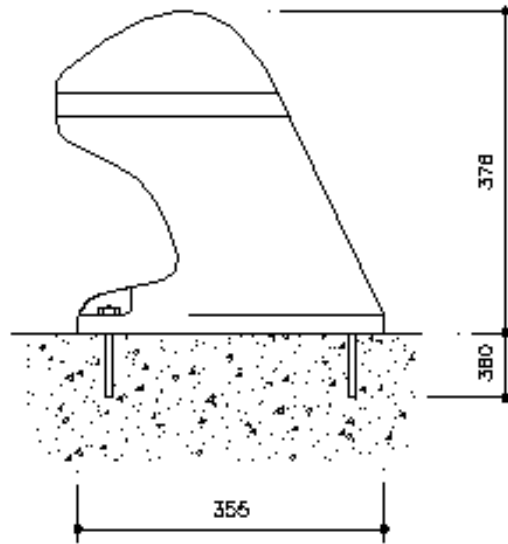
Street lighting

The DAE range from Barcelona

- Lighting columns
- Wall mounted fittings
- Feature lighting
- Bulkhead fittings

Contact us

[HOME](#)



↑
TOP



Pilona NORAY
Diseño: Leopoldo Milá.

LAMBDA 70/71



70/71

Bollard "LAMBDA"

Design: **Antoni Riera**

© Antoni Riera. Barcelona 1994

© DAE, S.A. Barcelona 1994

Material:

Painted cast-iron.

Stainless steel screws and nuts.

Electric Installation:

Two different versions available:

without light

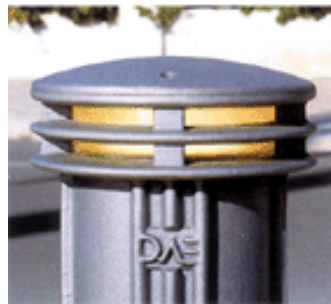
with light: prepared for PLE-C 9W

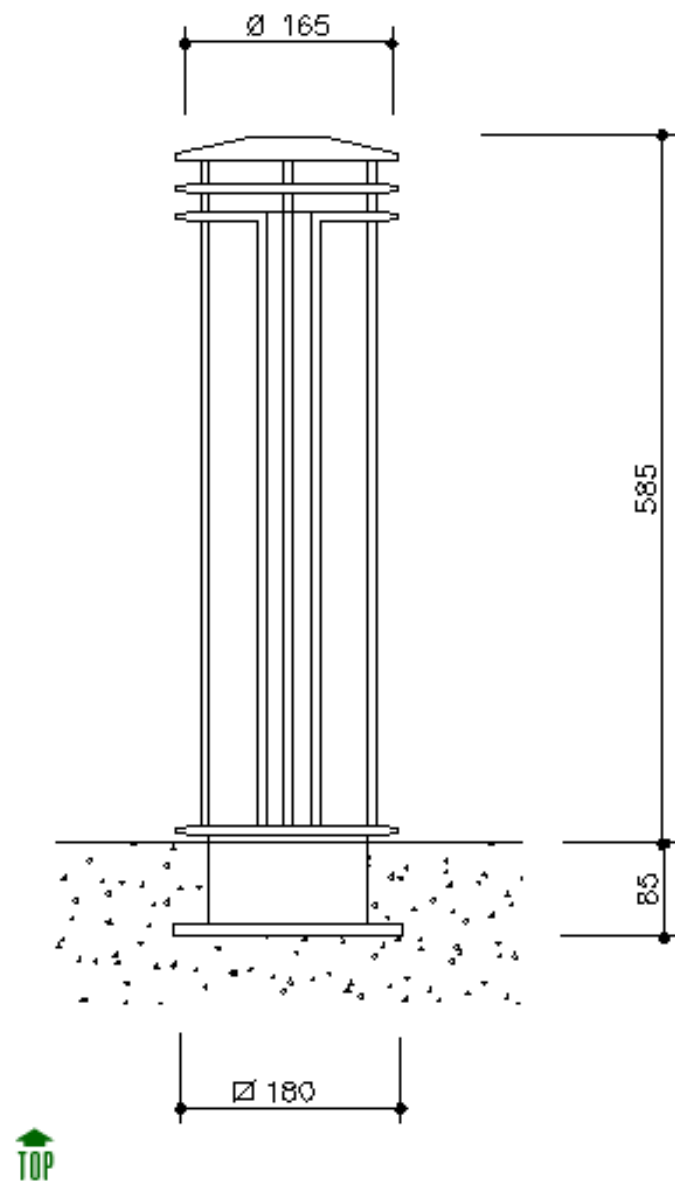
Colour:

In Black forge

Consult factory for other options.

Aprox. weight: 22 Kg.





Pilona LAMBDA
Diseño: Antoni Riera.

VILANOVA 80/15



80/15

Beacon «VILANOVA»

Design: Leopoldo Milá

© Leopoldo Milá. Barcelona 1992

© DAE, S.A. Barcelona 1992

Material:

Painted cast-iron base.

Painted steel lamp housing, protected with an anti-corrosión coating (Dichromated)

Methacrylate shade, 3 mm. thick.

Cast-aluminium lamp cover.

Stainless steel screws and nuts.

3 anchorbolts M14.



Electrical installation:

Prepared for lamp 80W. M.V.

Options: 70W. V.S.A.P.

SL 25W.

Colour:

Base Black forge.

Lamp housing and lamp cover steel Grey .

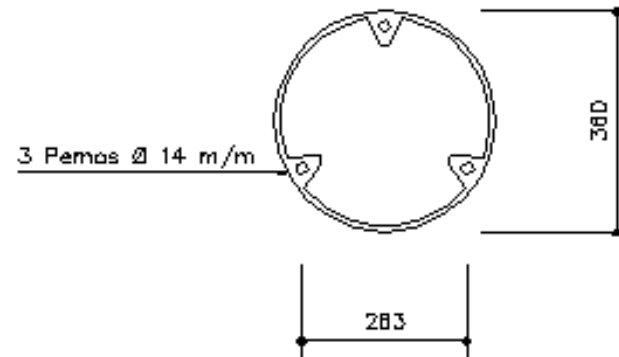
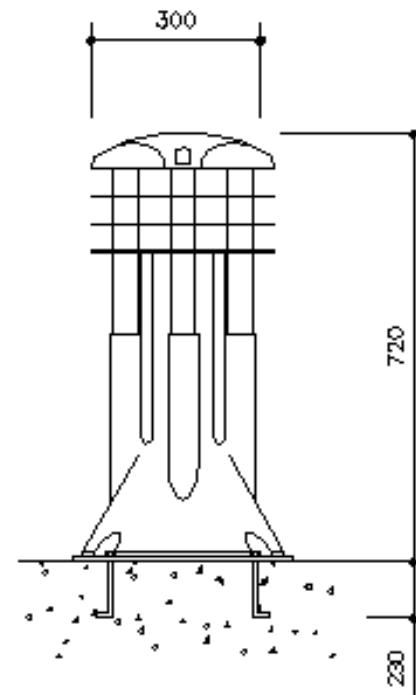
Consult factory for other options.

Aprox. weight: 63 Kg.

IP 54



DAE
Baliza VILANOVA
Diseño: Leopoldo Milá.



↑
TOP

TEA 80/31



80/31

Baliza "TEA"

Design: Gemma Bernal & Associats.

© Gemma Bernal & Associats.

Barcelona 1999

© DAE, S.A. Barcelona 2001

Material:

Painted cast iron leg.

Methacrylate shade, 3 mm. thick.

Shade protector in anodised cast aluminium.

Anchored to the ground with blind anchor-bolts M12.

Electrical installation:

Prepared for SL-25W

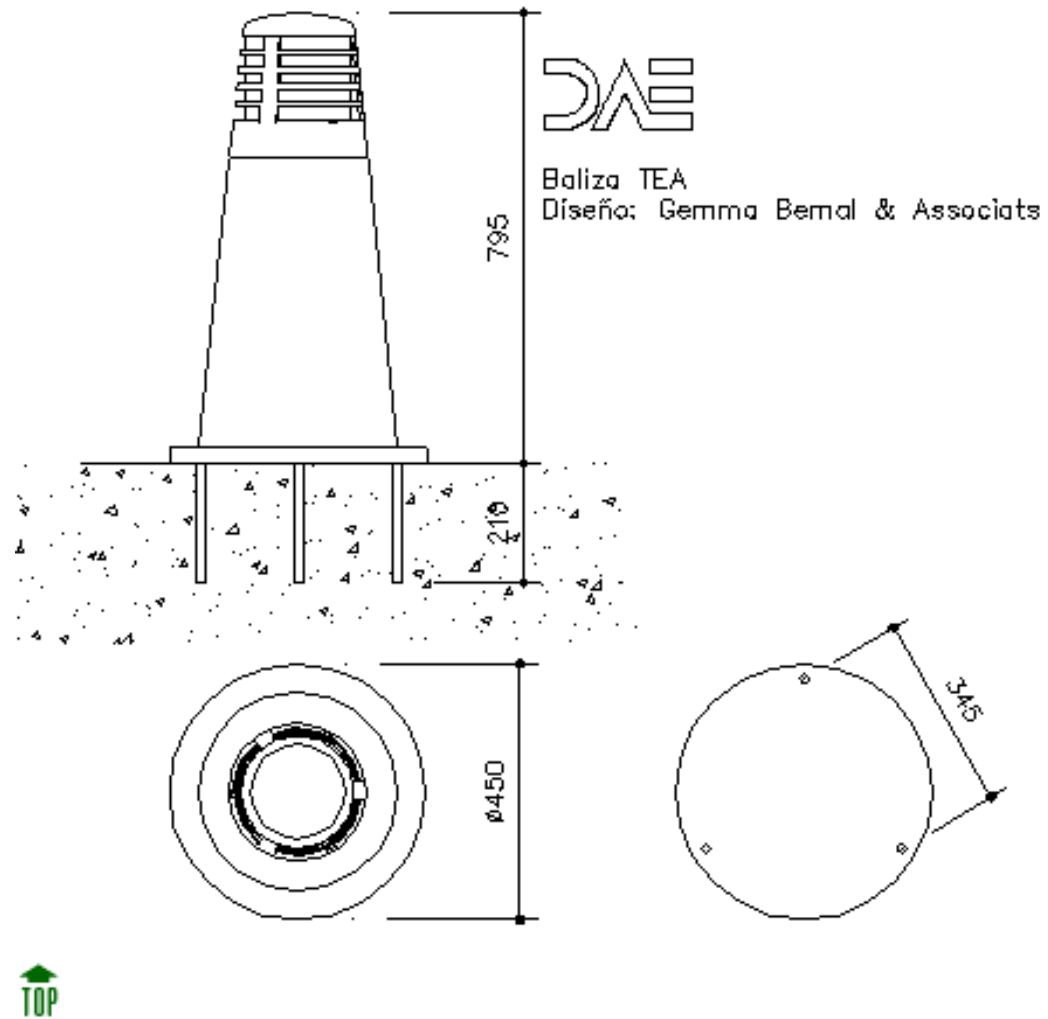
Colour:

Leg in steel Grey.

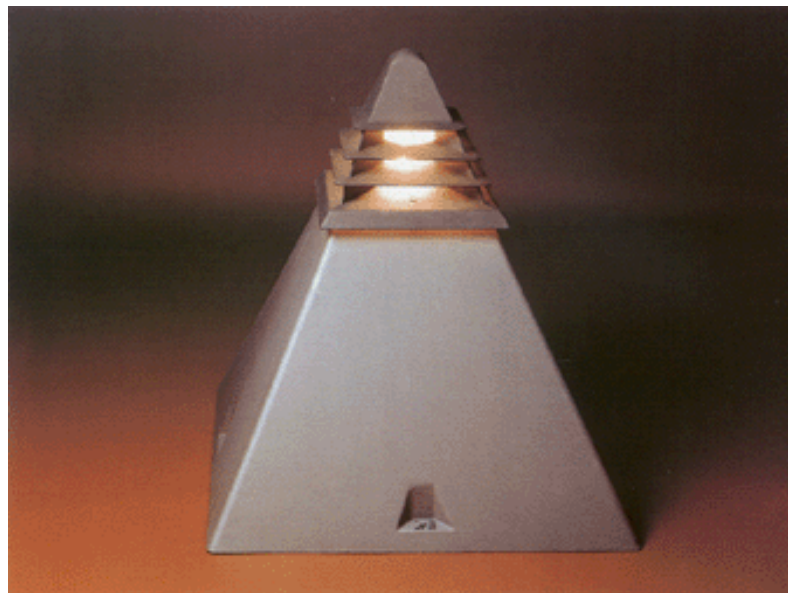
Anodise protector shade.

Consult factory for other options.





ALFAZ 80/23



Beacon «ALFAZ»

Design: J.L. Camarasa and F. de Santiago
© J.L. Camarasa and F. de Santiago.
Barcelona 1994
© DAE, S.A. Barcelona 1995

Material:

Painted cast-iron base.
Painted steel lamp housing, protected with an anti-corrosión coating (Dichromated).
Methacrylate shade 3 mm. thick.
Stainless steel screws and nuts.
4 anchorbolts M14.

Electrical installation:

Prepared for lamp SL 25W.

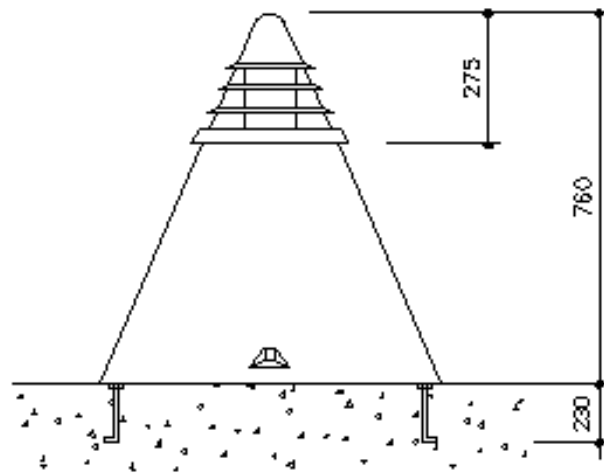
Colour:

Base steel Grey .
Blades in Black forge.
Consult factory for other options.

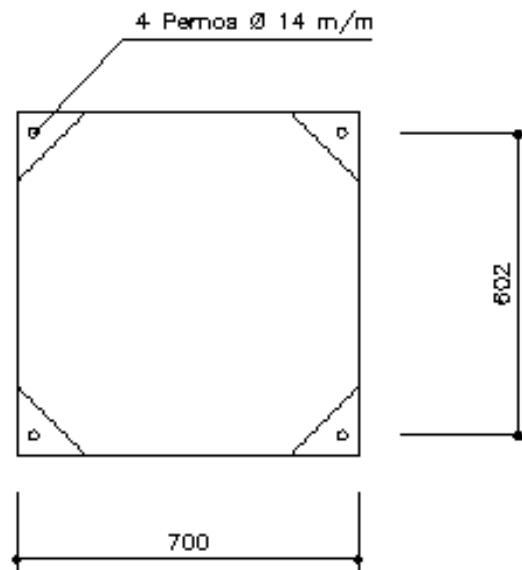
Aprox. weight: 92 Kg.

IP 54





Baliza ALFAZ
Diseño J.L. Camarasa,
F. de Santiago.



↑
TOP

PARTERRE 80/17



Beacon «PARTERRE»

Design: Pep Bonet.

© Pep Bonet. Barcelona 1967

© DAE, S.A. Barcelona 1988

Material:

Painted cast-aluminium.

Methacrylate shade, 3 mm. thick.

Stainless steel screws and nuts.

3 anchorbolts M14

Electrical installation:

Prepared for lamp 80 W M.V.

Option SL 25W.

Colour:

Black forge.

Consult factory for other options.

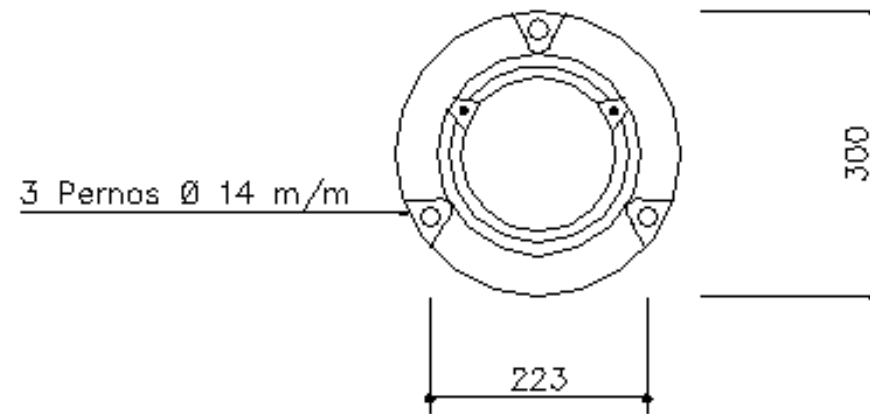
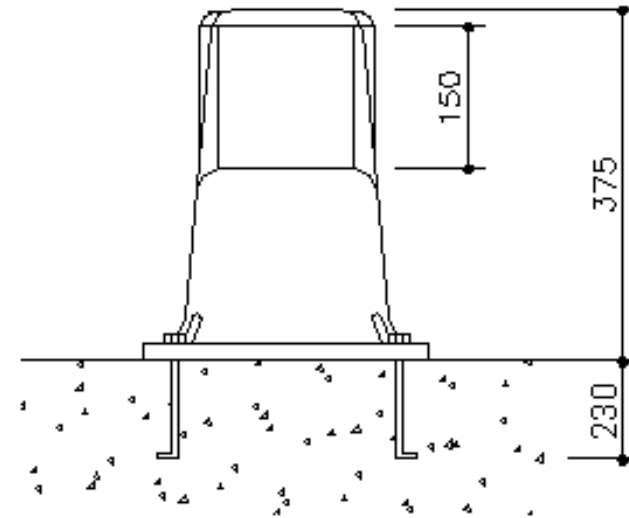
Aprox. weight: 11,5 Kg.

IP 54





Baliza PARTERRE
Diseño: Pep Bonet.



BRITANNIA - Modern planters

Traditional Metalwork

Decorative metalwork in Cast iron, bronze, aluminium or wrought iron

- Balustrades and cast panels
- Railings and gates
- Brackets, columns, canopies, gazebos and loggias
- Ridge cresting, tie-bar plates & misc. castings
- Cast gratings and air bricks
- Bollards & sign posts
- Tree grilles & bench ends

Staircases

- Cast iron straight & radial stairs
- Cast iron spiral staircases

Conservation & restoration services

Design service, pattern making & specialised casting

Modern Street Furniture & Lighting

Street furniture

The DAE range from Barcelona

- Benches, chairs & cycle holder
- Bollards
- Illuminated bollards
- Planters
- Litter bins
- Drinking Fountains

DAE - LINEAL | TREBOL | MONTSERRET | HOME

Britannia Architectural Metalwork Ltd, DAE sole agents for UK & Ireland

LINEAL 70/32



70/32

Planter "LINEAL"

Design: **Enric Soria**

© Enric Soria. Barcelona 1998

© DAE, S.A. Barcelona 1999

Material:

Painted cast-iron.

Color:

Black forge

Consult factory for other options.

Aprox. weight: 243 Kg.



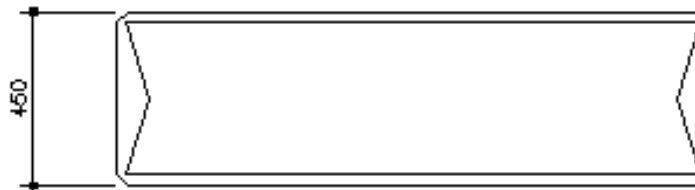
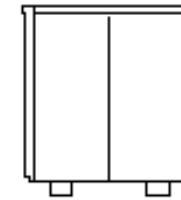
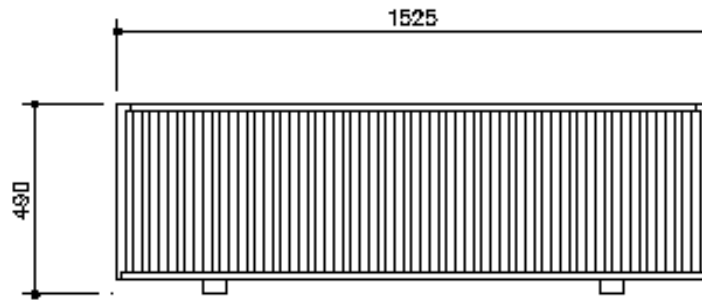
Street lighting

The DAE range from Barcelona

- Lighting columns
- Wall mounted fittings
- Feature lighting
- Bulkhead fittings

Contact us

HOME



Jardínera LINEAL
Diseño: Enric Soría.



TREBOL 70/33

70/33

Planter "TREBOL"

Design: **G. Bernal & Associats**

© G. Bernal & Associats. Barcelona 1999.

© DAE, S.A. Barcelona 2001.

Material:

Painted cast-iron.

In the version with light, the protector of shade is in painted cast aluminium.

Anchored to the ground with blind anchorbolts.

Colour:

Black forge.

Consult factory for other options.



70/33-2



70/33-1

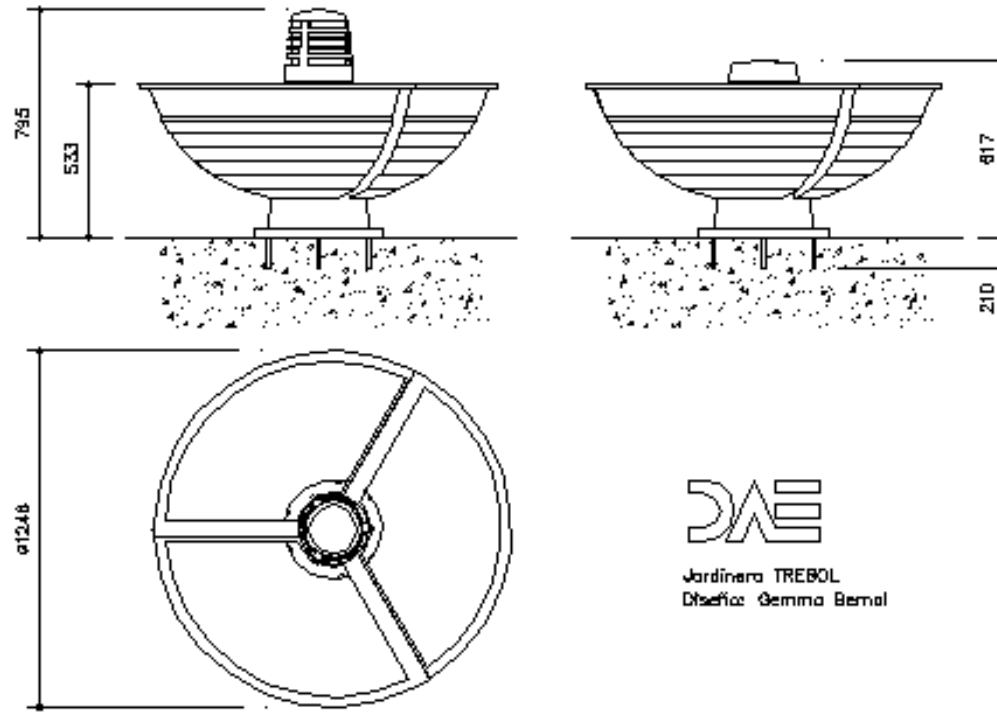
Electrical Installation:

Prepared for SL CONFORT 21W. PHILIPS.

Aprox. weight:

Planter	279 kg.
Planter with light	284 kg.





MONTSERRAT 70/31



70/31

Round planter "MONTSERRAT"

Design: **Miguel Milá and Carlos Marzábal**

© Miguel Milá and Carlos Marzábal.

Barcelona 1988

© DAE, S.A. Barcelona 1990

Material:

Painted cast-iron

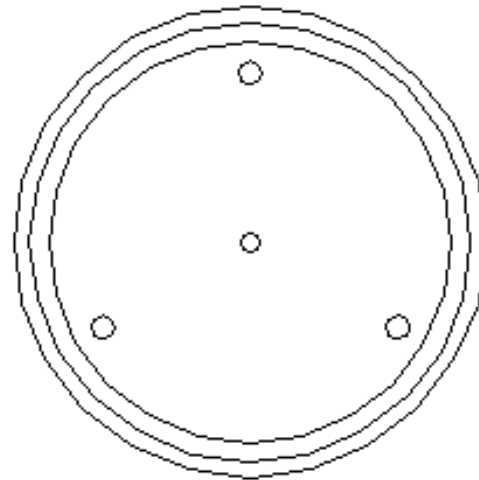
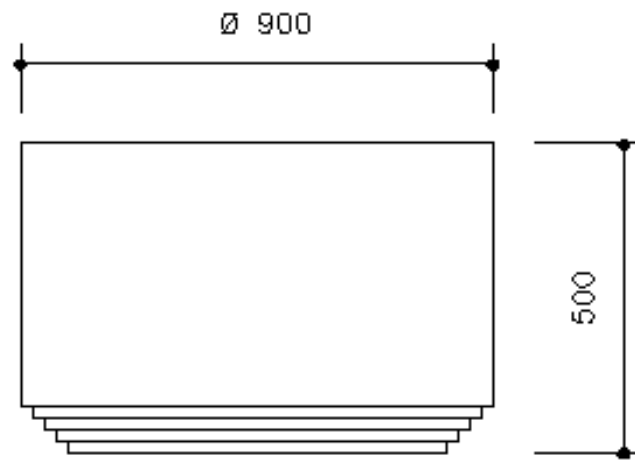
Colour:

Black forge

Consult factory for other options.

Aprox. weight: 188 Kg





↑
TOP



Jardínera Redonda
Diseño: Miguel Milá,
Carlos Marzábal.

MONTSERRAT 70/30



70/30

Rectangular planter "MONTSERRAT"

Design: **Miguel Milá and Carlos Marzábal**

© Miguel Milá and Carlos Marzábal.

Barcelona 1988

© DAE, S.A. Barcelona 1990

Material:

Painted cast-iron

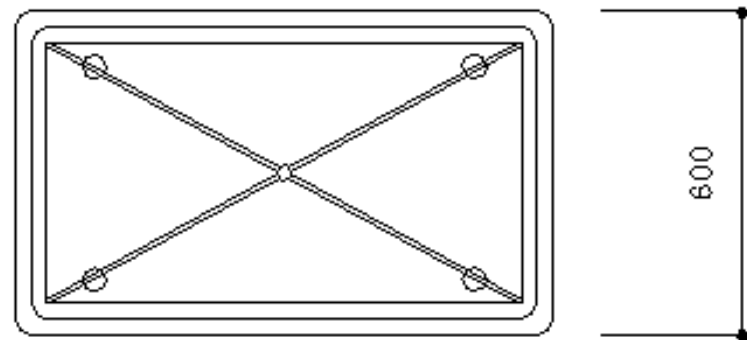
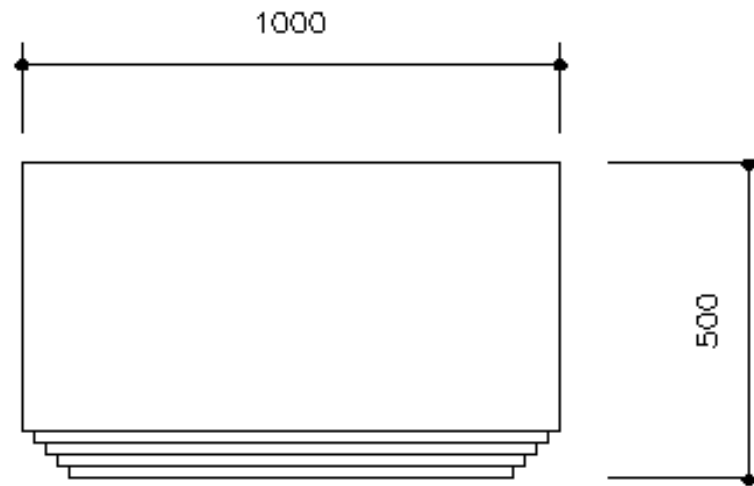
Colour:

Black forge

Consult factory for other options.

Aprox. weight: 201 Kg.





Jardínera Recta
Diseño: Miguel Milá,
Carlos Marzábal.



BRITANNIA - Modern, litter bins

DAE - HOP | VIA | NOVA | VOLCA | BUZZ | HOME

Britannia Architectural Metalwork Ltd, DAE sole agents for UK & Ireland

Traditional Metalwork

Decorative metalwork in Cast iron, bronze, aluminium or wrought iron

- Balustrades and cast panels
- Railings and gates
- Brackets, columns, canopies, gazebos and loggias
- Ridge cresting, tie-bar plates & misc. castings
- Cast gratings and air bricks
- Bollards & sign posts
- Tree grilles & bench ends

Staircases

- Cast iron straight & radial stairs
- Cast iron spiral staircases

Conservation & restoration services

Design service, pattern making & specialised casting

Modern Street Furniture & Lighting

Street furniture

The DAE range from Barcelona

- Benches, chairs & cycle holder
- Bollards
- Illuminated bollards
- Planters
- Litter bins
- Drinking Fountains

HOP 70/52



70/52

Litter bin "HOP"

Design: **Antoni Riera**

© Antoni Riera. Barcelona. 1996

© DAE, S.A. Barcelona 1996

Material:

Top mouth of anodized cast-aluminium.
Main body of painted cast-iron.
Interior container galvanized.
Anchored to the ground with blind anchor-bolts.

Net capacity: 63 l

Colour:

Top mouth in silver grey.
Main body in black forge.
Galvanized interior container
Consult factory for other options.

Aprox. weight:

Litter bin:	111,5 Kg.
Litter bin with top cover:	115,5 Kg.
Litter bin with top cover and ashtray:	

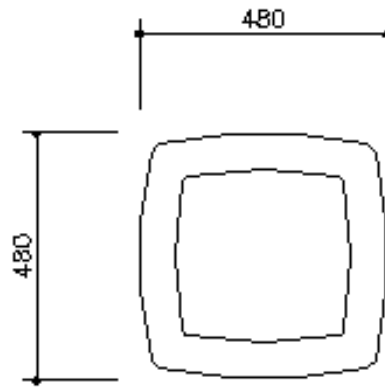
Street lighting

The DAE range from Barcelona

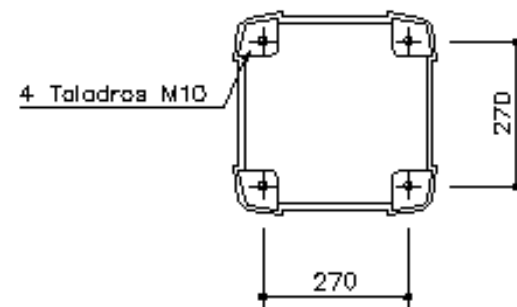
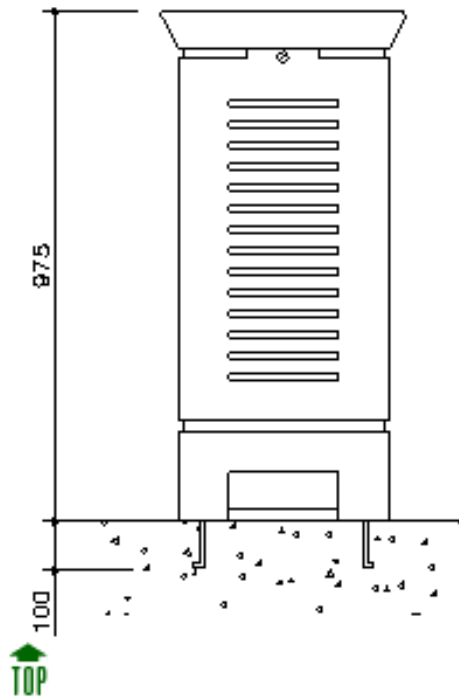
- Lighting columns
- Wall mounted fittings
- Feature lighting
- Bulkhead fittings

Contact us

[HOME](#)



Papelera HOP
Diseño: Antoni Riera.



VIA 70/54



70/54

Litter bin "VIA"

Design: **Miquel Albós**

© Miquel Albós. Andorra. 1998

© DAE, S.A. Barcelona 2000

Material:

Shaft arc AISI 316L stainless steel.

Ashtray and grid of anodized cast-aluminium.

Polished stainless steel container.

Stainless steel screws and nuts.

Zinc plated steel anchorbolts.

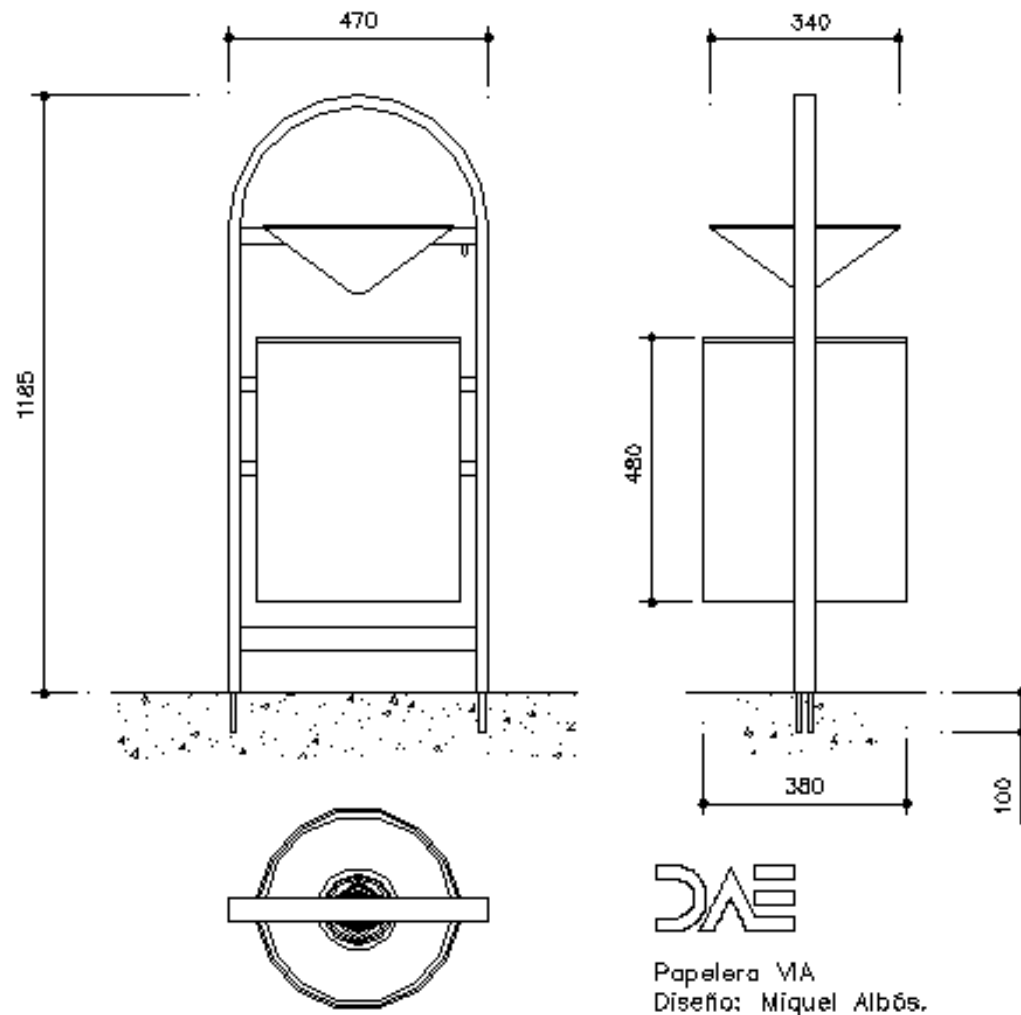
Net capacity: 54 l.

Colour:

Grey steel.

Aprox. weight: 18 Kg.

Litter-ashtray "VIA" has a mechanism to empty the ashtray in the container by means of a 90° rotation.



↑
TOP

NOVA 70/53



Posición 1



Posición 2



Posición 3



70/53

Litter bin «NOVA»

Design: **M. Jansen, F. Willems, B. Veldhuis.**

© M. Jansen, F. Willems, B. Veldhuis. Holland 1996.

© DAE, S. A. Barcelona 1997.

Material:

Mouth, post and bottom holder are made of galvanized and powder-coated steel.

Main body of litter bin of galvanized steel, also powder-coated.

Collecting-container in polyethylene.

Stainless steel screws and nuts.

Net capacity: 60 l.

Colour:

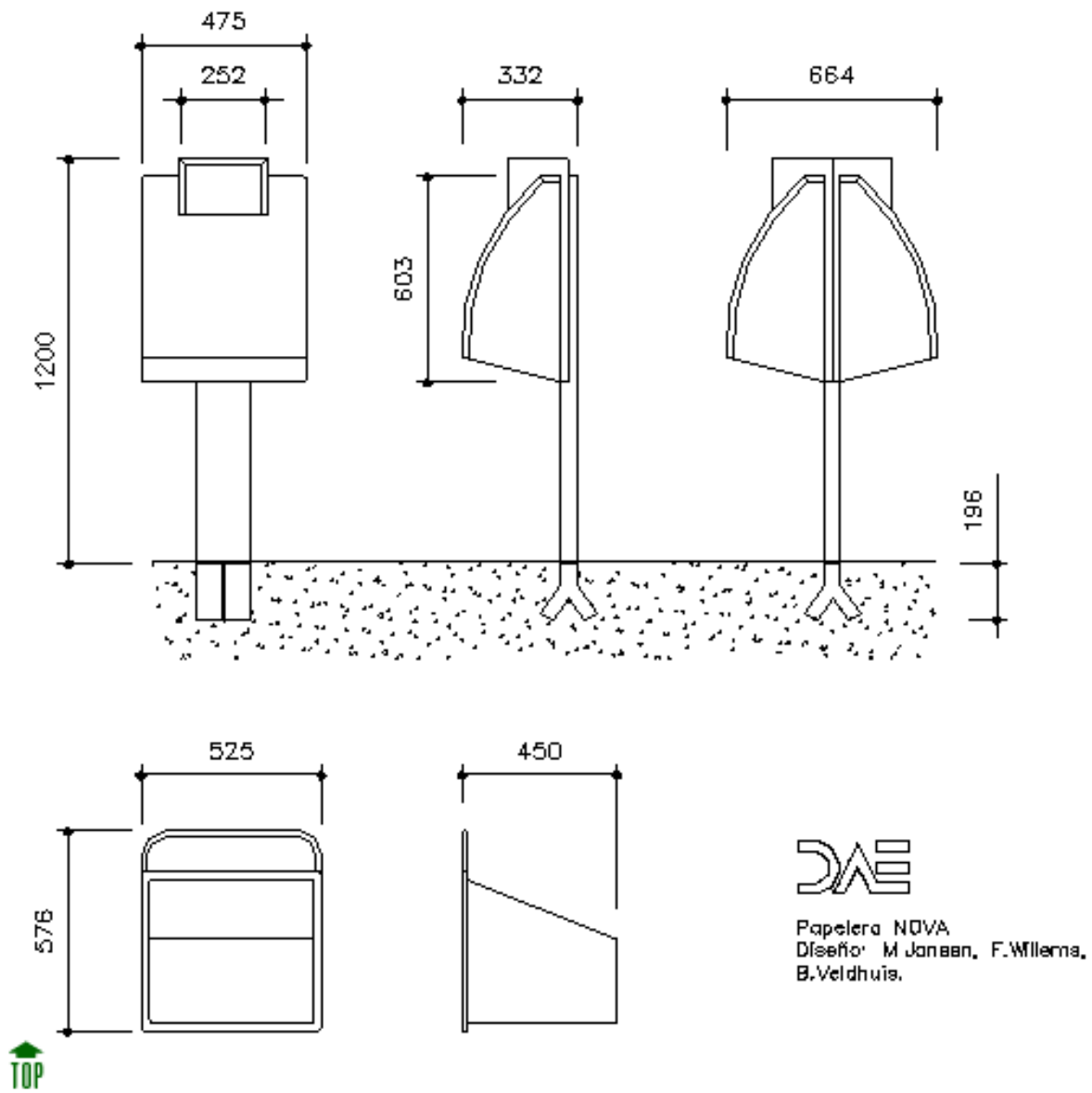
Mouth, post and bottom holder in black forge.

Main body in silver grey

Aprox. weight: 36 Kg.

Litter bin «NOVA» does not need any key, only the collecting-container which is used for opening and emptying the bin.

The «NOVA» combines userfriendliness, sturdy construction and attractive design in perfect harmony. Ergonomically developed in order to reduce the effort of the user and to avoid the physical contact with litter.



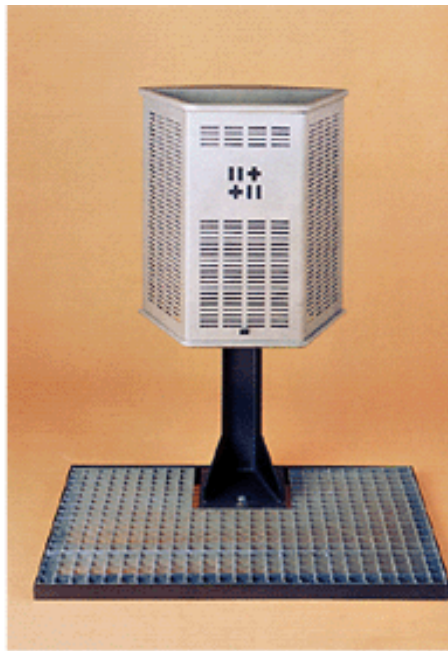
VOLCA 70 /51



70/51-2



Movimiento de vaciado



70/51-1

70/51

Litter bin "VOLCA"

Design: **Leopoldo Milá**

© Leopoldo Milá. Barcelona 1992

© DAE, S.A. Barcelona 1992

Material:

Painted steel protected with an anticorrosion coating (Dichromated).

Galvanized pavement protector (optional).

Zinc plated steel anchorbolts.

Net capacity: 40 l

Colour:

Legs in black forge.

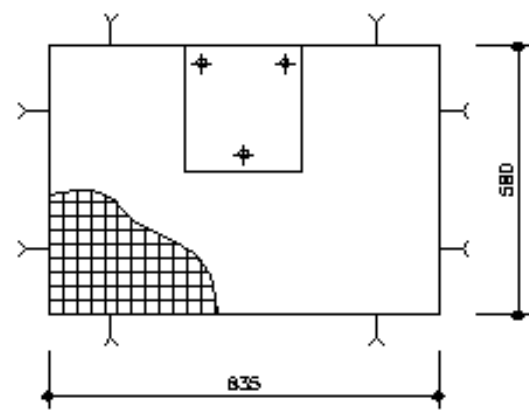
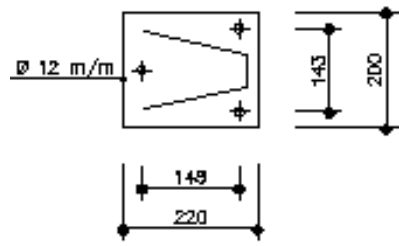
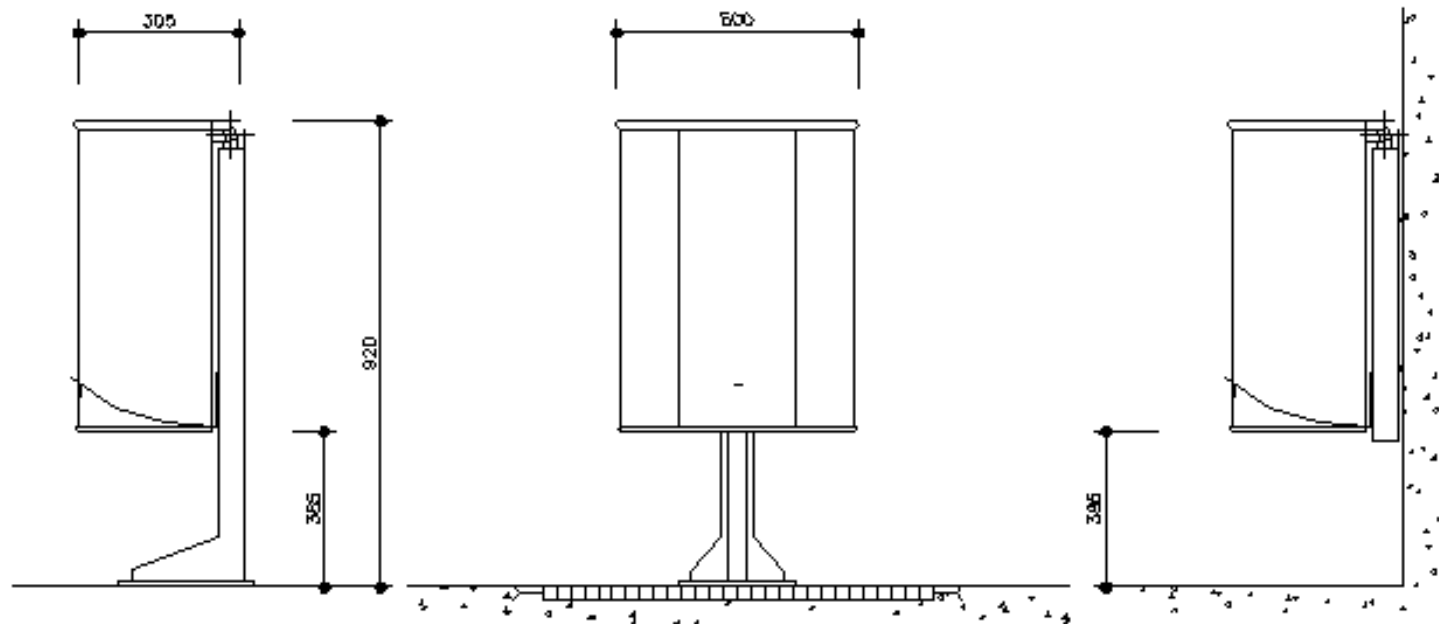
Container in silver grey.

Consult factory for other options.

Aprox. weight:

Litter bin:	23 Kg.
Wall litter bin:	20 Kg.
Pavement protector:	13 Kg.

Ideal for urban use, because of its easy mechanism to empty the bin, by pulling the lower part forward, action which will permit litter to be released from the bottom.




Papelerera VOLCA
Diseño: Leopoldo Milá.



BUZZ 70/50



70/50

Litter bin "BUZZ"

Design: **Pep Zazurca**

© Pep Zazurca. Barcelona 1990

© DAE, S.A. Barcelona 1990

Material:

Painted cast-iron mouth.

Painted steel base and container, protected with an anti-corrosion coating (Dichromated).

Zinc plated steel anchorbolts.

Net capacity: 52 l.

Colour:

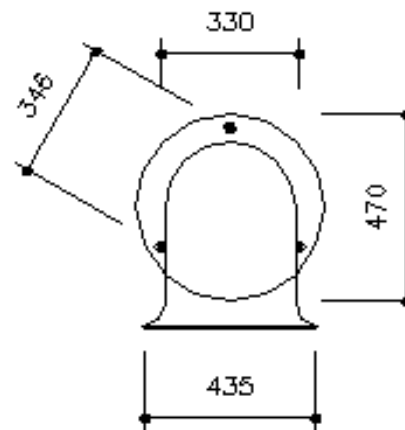
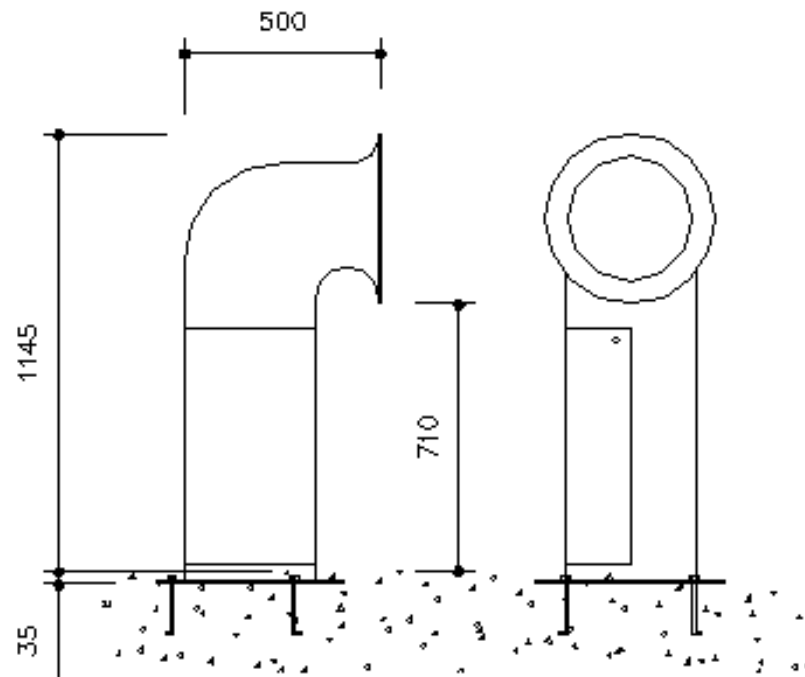
Exterior in black forge.

Interior mouth in yellow.

Interior container in black.

Consult factory for other options.

Aprox. weight: 84 Kg.



Papelera BUZZ
Diseño: Pep Zazurca.



BRITANNIA - Modern, drinking fountains

Traditional Metalwork

Decorative metalwork in Cast iron, bronze, aluminium or wrought iron

- Balustrades and cast panels
- Railings and gates
- Brackets, columns, canopies, gazebos and loggias
- Ridge cresting, tie-bar plates & misc. castings
- Cast gratings and air bricks
- Bollards & sign posts
- Tree grilles & bench ends

Staircases

- Cast iron straight & radial stairs
- Cast iron spiral staircases

Conservation & restoration services

Design service, pattern making & specialised casting

Modern Street Furniture & Lighting

Street furniture

The DAE range from Barcelona

- Benches, chairs & cycle holder
- Bollards
- Illuminated bollards
- Planters
- Litter bins
- Drinking Fountains

DAE - NAIA | BRANCA | TANTA | FONTFOSA | HOME

Britannia Architectural Metalwork Ltd, DAE sole agents for UK & Ireland

NAIA 70/93



70/93

Drinking fountain "NAIA"

Design: **Nuria Núñez**

© Nuria Núñez. San Sebastián 1998

© DAE, S.A. Barcelona 2000

Material:

Main body of painted cast-iron.

Bucket of anodized cast-aluminium.

Pressure controller tap, flexible tube and drain siphon installation.

Stainless steel screws and nuts

Colour:

Main body in black forge.

Bucket in silver gray.

Consult factory for other options.

Aprox weight: 96 Kg

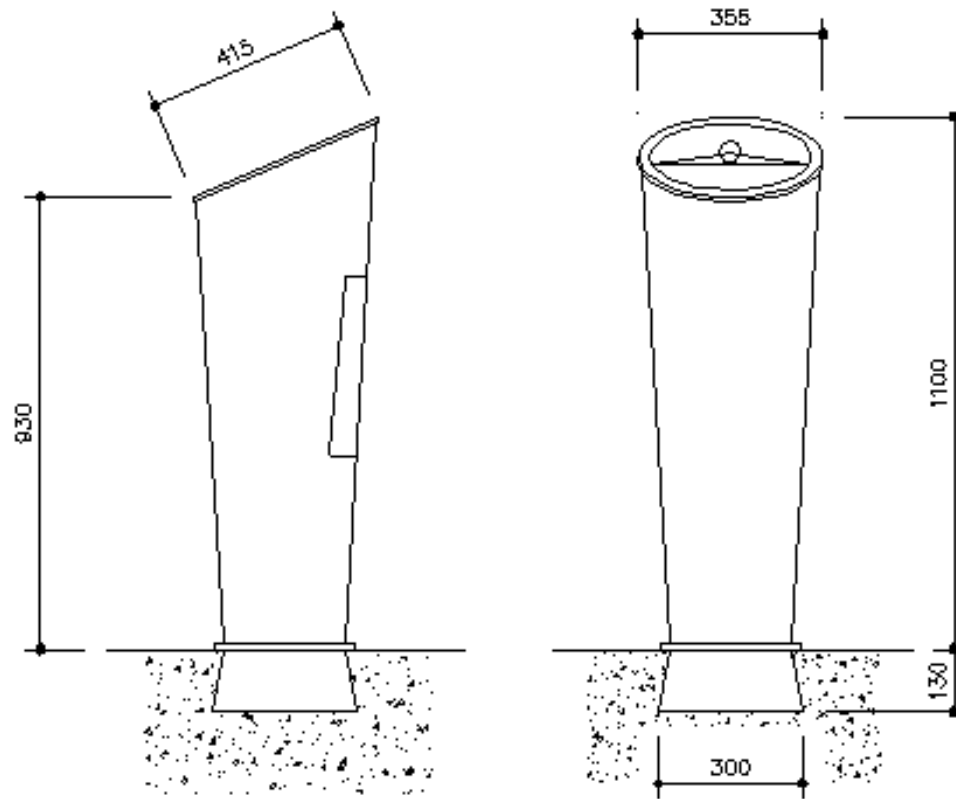
Street lighting

The DAE range from Barcelona

- Lighting columns
- Wall mounted fittings
- Feature lighting
- Bulkhead fittings

Contact us

[HOME](#)



Fuente NAIA
Diseño: Nuria Núñez.



↑
TOP

BRANCA 70/95



70/95

Drinking fountain "BRANCA"

Design: **Oscar Doll**

© Oscar Doll. Barcelona 1999.

© DAE, S.A. Barcelona 2001

Material:

Central body in shiny stainless steel AISI 316L.

Galvanised gating drainpipe and frame.

Polyurethane jet of water reinforced with fibreglass.

Anchorbolts in stainless steel AISI 316L.

Installation:

Mouthpiece in stainless steel AISI 316L, flexible sleeves, chromium-plated anti-vandalic taps, pressure regulator and stopcock.

Colour:

Jet of water in dark grey.

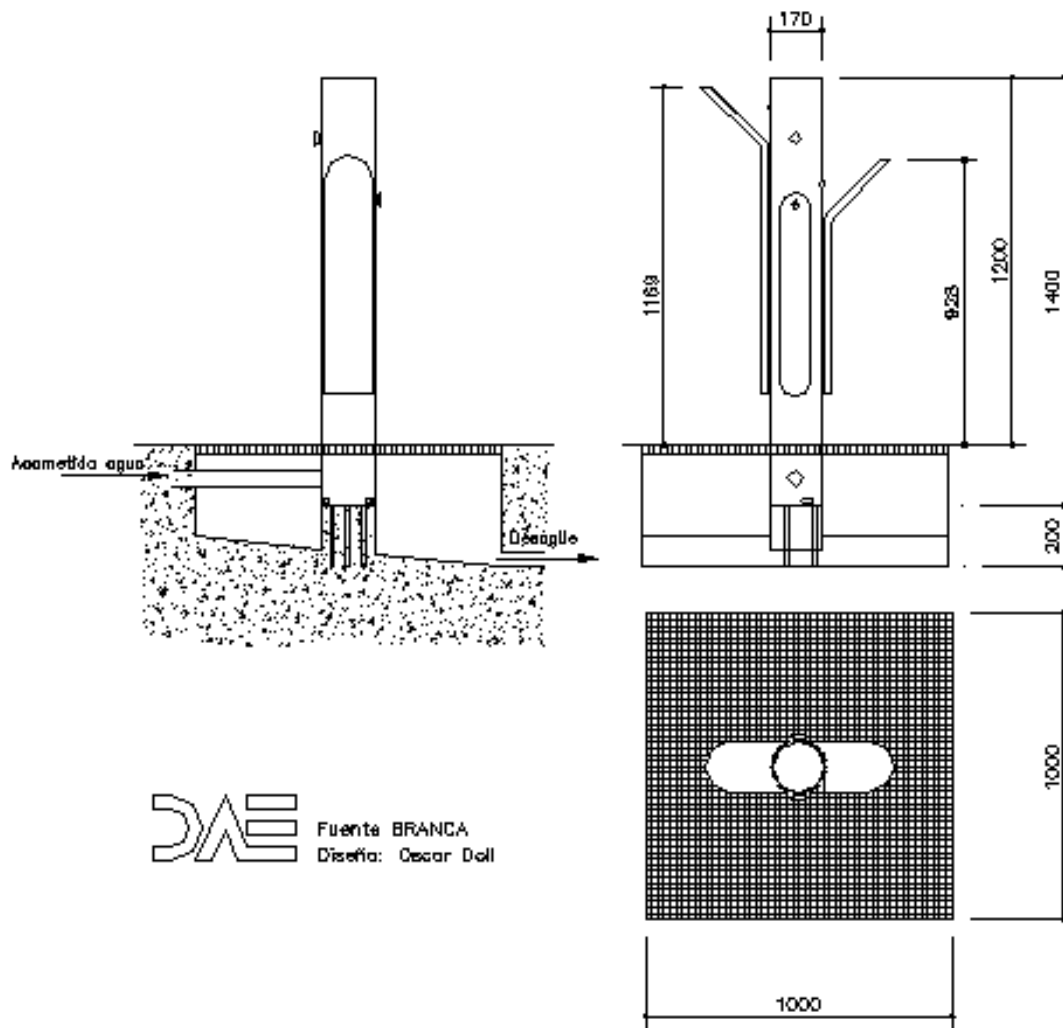
Central body in steel grey.


Galvanised gating drainpipe and frame.

Aprox weight: 41 Kg

The water fountain "BRANCA" has the peculiarity to be useful for children, aged persons, disabled people and pets.

By pressing, water begins to drop down for a seconds and then, it stops automatically.



 Fuente BRANCA
Diseño: Oscar Doll



TANA 70/92



70/92

Drinking fountain "TANA"

Design: **Patxi Mangado**

© Patxi Mangado. Barcelona 1998.

© DAE, S.A. Barcelona 2000

Material:

Painted cast-iron.

Installation:

Mouthpiece in stainless steel AISI 316L, flexible tube, anti-vandal tap installation, stopcock and pressure regulator.

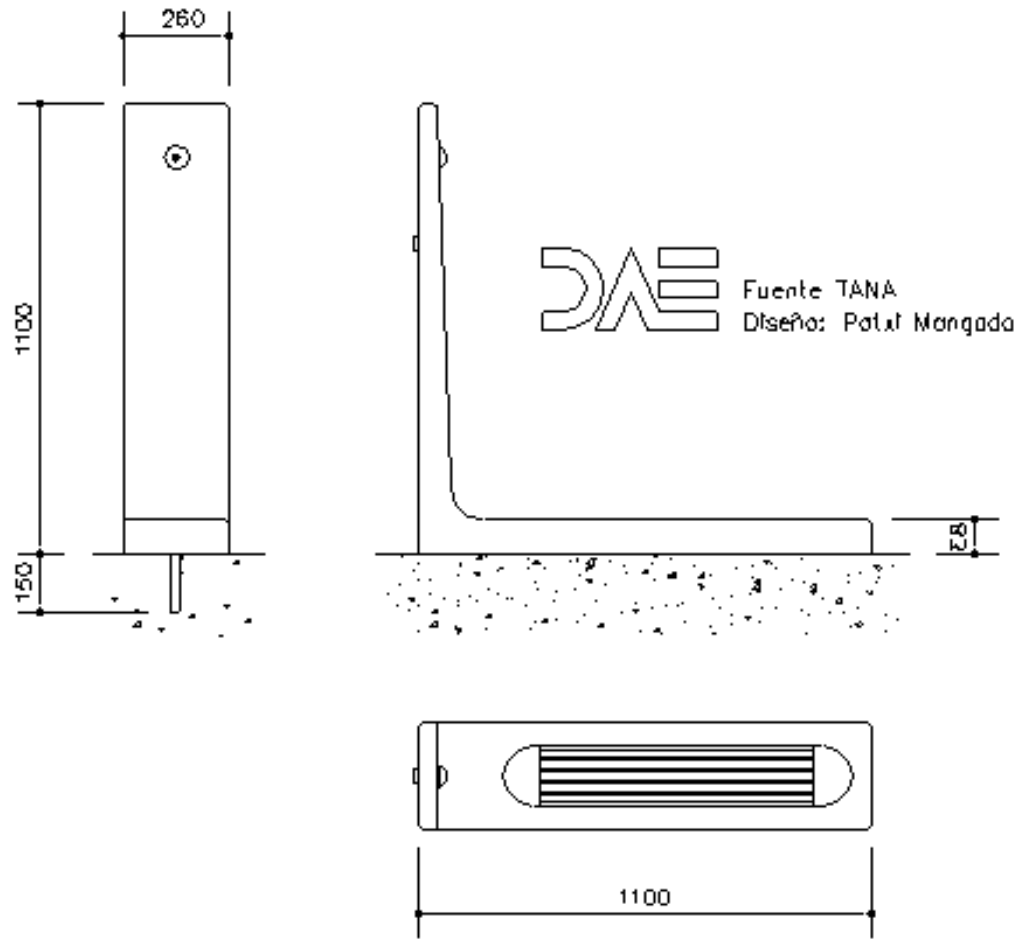
Stainless steel screws and nuts.

Colour:

Black forge.

Consult factory for other options.

Aprox weight: 94 Kg



FONTFOSA 70 /90



70/90

Drinking fountain "FONTFOSA"

Design: **Pep Bonet**

© Pep Bonet. Barcelona 1994

© DAE, S.A. Barcelona 1995

Material:

Painted cast-iron fountain.

Stainless steel screws and nuts.

Installation:

Mouthpiece in stainless steel AISI 316L, flexible sleeves, chromium - plated antivandalic taps, stopcock and pressure regulator.

Stainless steel screws and nuts.

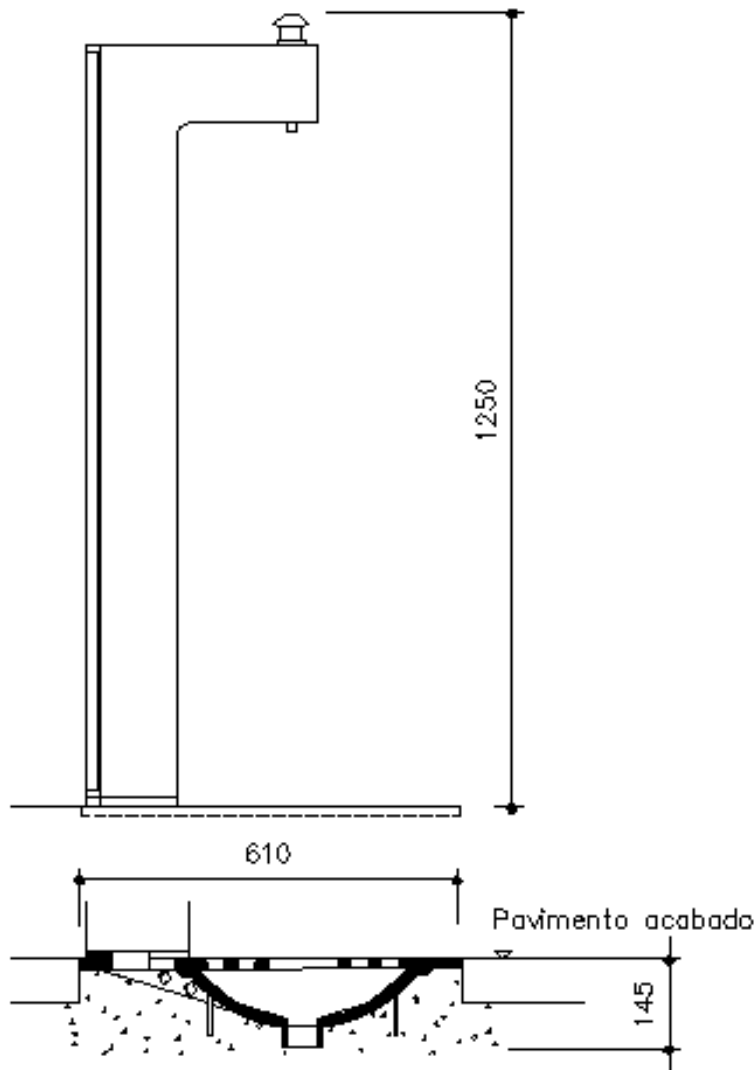
Colour:

Black forge.

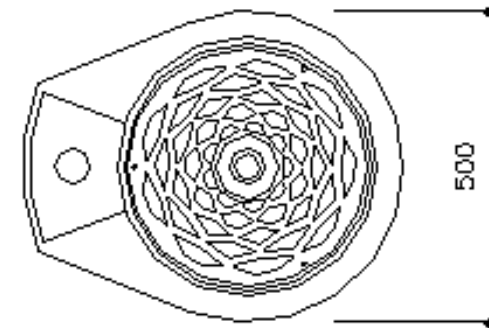
Consult factory for other options.

Aprox. weight: 115 Kg.

After pressand let go of the brass pushbutton, water begins to drop down for ten seconds.



Fuente FONTFOSA
Diseño: Pep Bonet.



BRITANNIA - Modern, lighting columns

Traditional Metalwork

Decorative metalwork in Cast iron, bronze, aluminium or wrought iron

- Balustrades and cast panels
- Railings and gates
- Brackets, columns, canopies, gazebos and loggias
- Ridge cresting, tie-bar plates & misc. castings
- Cast gratings and air bricks
- Bollards & sign posts
- Tree grilles & bench ends

Staircases

- Cast iron straight & radial stairs
- Cast iron spiral staircases

Conservation & restoration services

Design service, pattern making & specialised casting

Modern Street Furniture & Lighting

Street furniture

The DAE range from Barcelona

- Benches, chairs & cycle holder
- Bollards
- Illuminated bollards
- Planters
- Litter bins
- Drinking Fountains

Street lighting

The DAE range from Barcelona

- Lighting columns

DAE - STREET LIGHTS - TRONIC | TIKA | BAMBU | TREO | HOME

DAE - COLUMN STREET LIGHTS - LAMBDA | MUR | SOLAR | MASSANA | NEK | BIK

Britannia Architectural Metalwork Ltd, DAE sole agents for UK & Ireland

TRONIC 80/11



80/11-1



80/11-2



80/11-3

80/11

Street light «TRONIC»

Design: Antoni Riera.

© Antoni Riera. Barcelona 1988

© DAE, S.A. Barcelona 1990

ADI-FAD Gold Delta Awards 1991

Material:

Conical-shape base, of painted cast-iron.

Cylindrical shaft of galvanized and painted steel.

Painted cast-aluminium lamp, with adjustable height.

Easy way for sealing the lower section of the lamp with a circular and tempered flat glass surrounded by rubber, which is fixed to the lamp with five stainless steel clamps.

Stainless steel screws, clamps and nuts.

4 anchorbolts M16.

Concrete basement 600x600x1000 mm.

Electrical installation:

Prepared for 250 W M.V.

Options: 80 a 400W. M.V.

70 a 400W. V.S.A.P.

100 a 400W. M.H.

Colour:

Base Black forge.

Shaft steel Grey.

Lamp steel Grey.

Consult factory for other options.

- Wall mounted fittings
- Feature lighting
- Bulkhead fittings

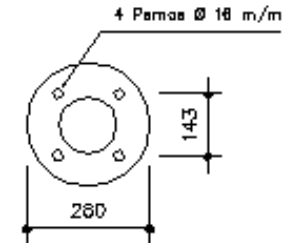
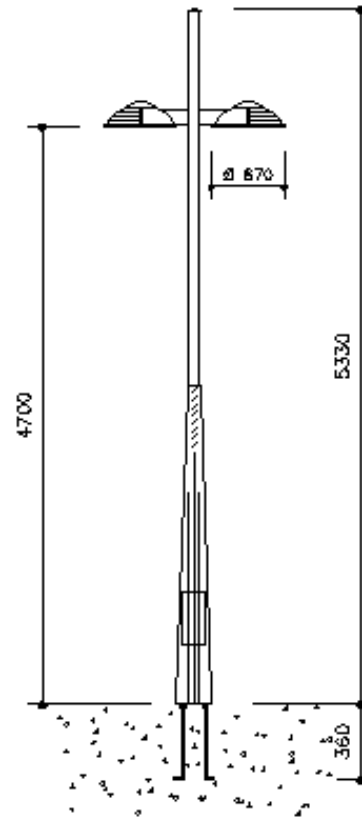
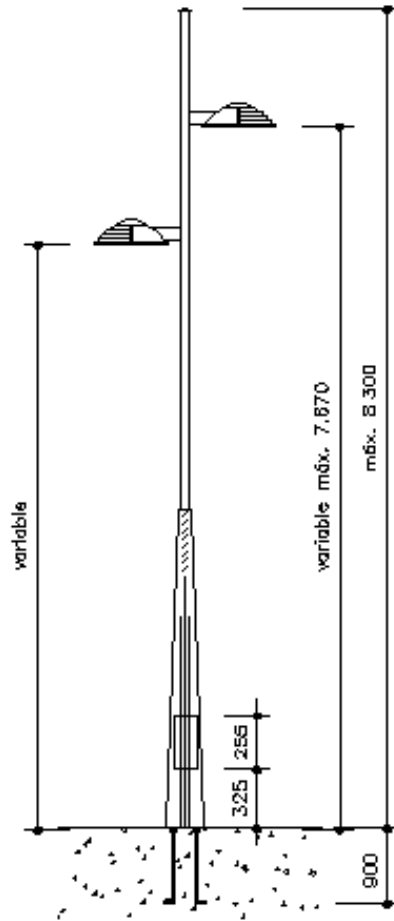
Contact us

HOME

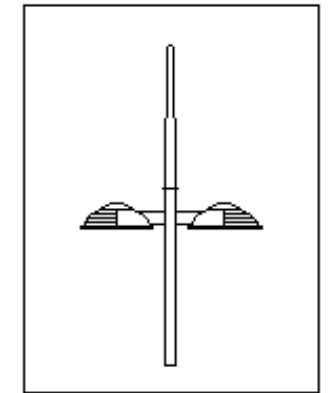
Aprox. weight:

- «TRONIC» 1 lamp: 162 Kg.
- «TRONIC» 2 lamps: 178 Kg.
- «TRONIC» 3 lamps: 194 Kg.

IP 64



Farola TRONIC
Diseño: Antoni Riera.



Acabado superior (opcional)
Top decorative point (optional)



TIKA 80/10



80/10-1



80/10-2



80/10-3

80/10

Street light «TIKA»

Design: Antoni Riera.

© Antoni Riera. Barcelona 1988

© DAE, S.A. Barcelona 1990

Selected for ADI-FAD Delta Awards 1991

Material:

Conical-shape column of painted cast-iron.

Painted cast-aluminium lamp.

Easy way for sealing the lower section of the lamp with a circular and tempered flat glass surrounded by rubber, which is fixed to the lamp with five stainless steel clamps.

Stainless steel screws, clamps and nuts.

4 anchorbolts M16.

Concrete basement 600x600x1000 mm.

Electrical installation:

Prepared for 250 W M.V.

Options: 80 a 400W. M.V.

70 a 400W. V.S.A.P.

100 a 400W. M.H.

Colour:

Main body and lamps Black forge.

Top decorative Gold.

Consult factory for other options.

Aprox. weight:

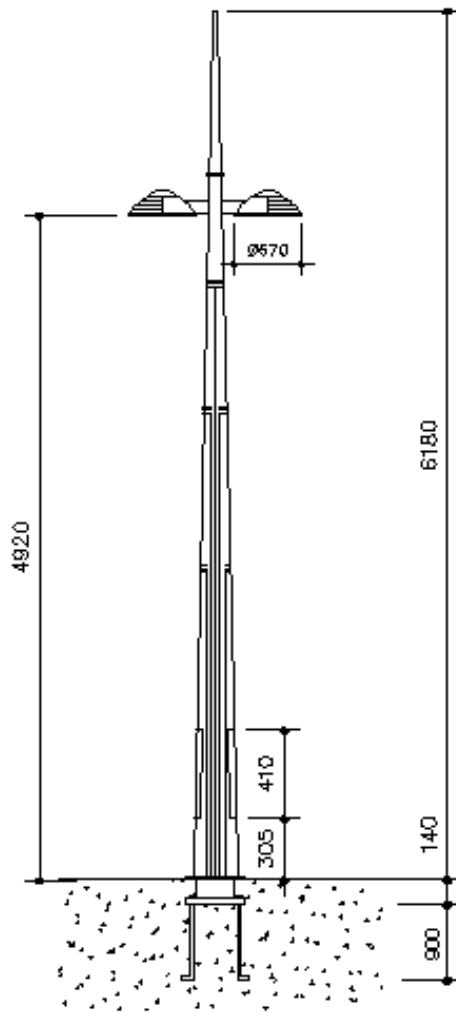
«TIKA» 1 lamp: 336 Kg.

«TIKA» 2 lamps: 352 Kg.

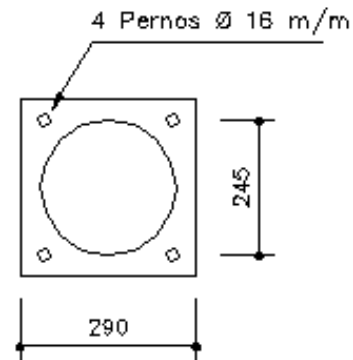
«TIKA» 3 lamps: 368 Kg.

IP 64





Farola TIKA
Diseño: Antoni Riera.



BAMBU 80/21



80/21-1



80/21-2



80/21

Street light «BAMBÚ»

Design: Antoni Riera.

© Antoni Riera. Barcelona 1994

© DAE, S.A. Barcelona 1995

Material:

Painted cast-iron or cast aluminium base.

Cylindrical shaft of galvanized and painted steel.

Painted cast-aluminium lamp.

Easy way for sealing the lower section of the lamp with a circular and tempered flat glass surrounded by rubber, which is fixed to the lamp with five stainless steel clamps.

Stainless steel screws, clamps and nuts.

4 anchorbolts M16.

Concrete basement 400x400x700 mm.

Electrical installation:

Prepared for 250 W. M.V.

Options: 80 a 400W. M.V.

70 a 400W. V.S.A.P.

100 a 400W. M.H.

Colour:

Base Black forge.

Shaft and lamp steel Grey.

Consult factory for other options.

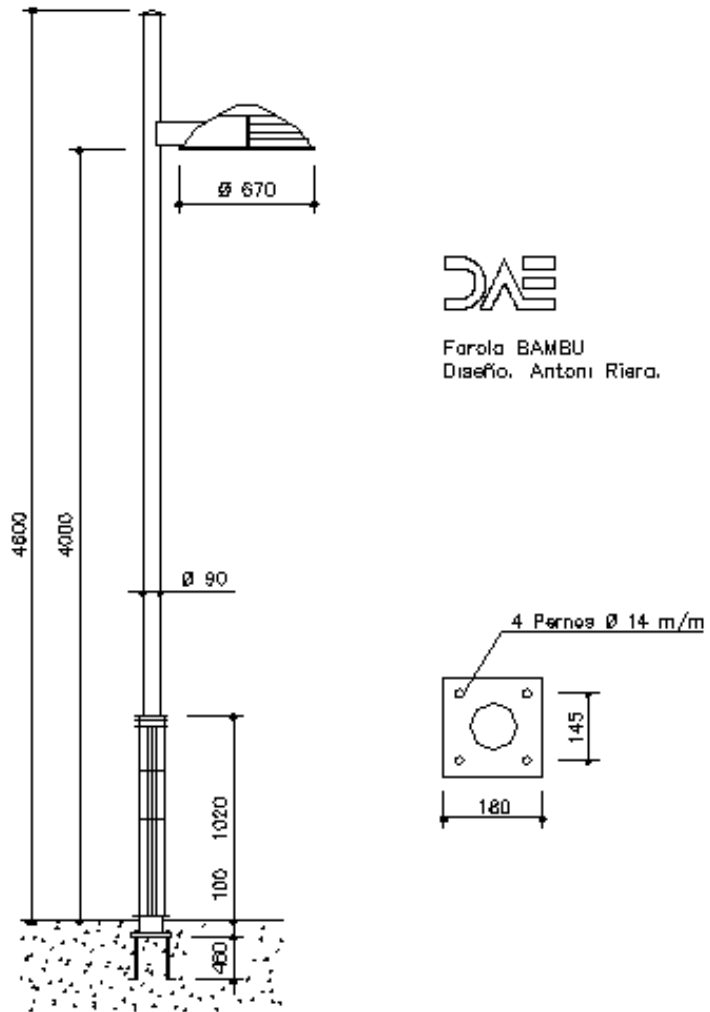
Aprox. weight:

In cast-aluminium: 54 Kg.

In cast-iron: 88 Kg.

IP 64





Farola BAMBU
Diseño. Antoni Riera.

TOP

TREO 80/26



80/26

Street light «TREO»

Design: S. Fraga, Fco. J. García-Quijada, M.Portolés.

© S. Fraga, Fco. J. García-Quijada,

M. Portolés. Pontevedra 1996

© DAE, S. A. Barcelona 1996

Material:

Galvanized steel shaft.

Top reflector screen of enforced polyester.

Projector and projector-holder of painted cast-aluminium.

Stainless steel screws and nuts 4 anchorbolts M16.

Concrete basement 600x600x1000 mm.

Electrical installation:

Projector prepared for 250 W. M.V.

Colour:

Top reflector screen in White

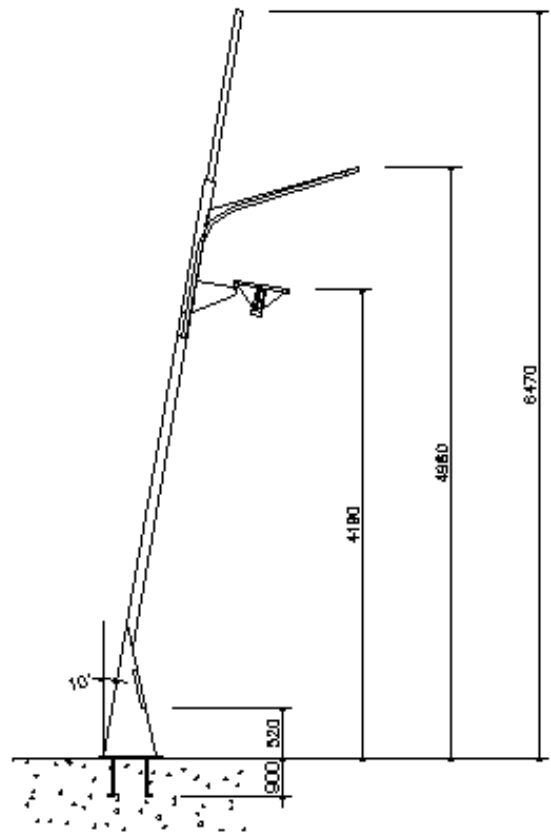
Projector and projector-holder Grey

Aprox. weight: 108 Kg.

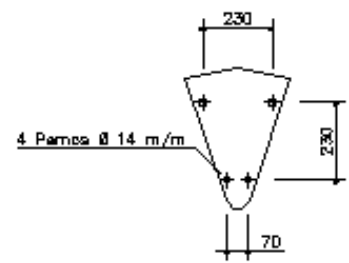
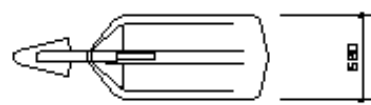
IP 55

The top part of the shaft may be used as a flag match-pole.





Farola TREO
Diseño: S.Fraga, Fco J Garcia-Qujada,
M.Portolés.



↑
TOP

COLUMN STREET LIGHTS

LAMBDA 80/14



Base fundición aluminio



Base fundición hierro



80/14

Column «LAMBDA»

Design: Antoni Riera.

© Antoni Riera. Barcelona 1992

© DAE, S.A. Barcelona 1992

Material:

Painted cast-iron or cast-aluminium base.

Cylindrical shaft of galvanized and painted steel.

Lamp housing of painted cast-aluminium.

Stainless steel screws and nuts.

4 anchorbolts M16.

Concrete basement 400x400x700 mm.

Electrical installation:

Options: Lamp NEK

S-500

S-400

Colour:

Base and lamp housing Black forge.

Shaft steel Grey.

Consult factory for other options.

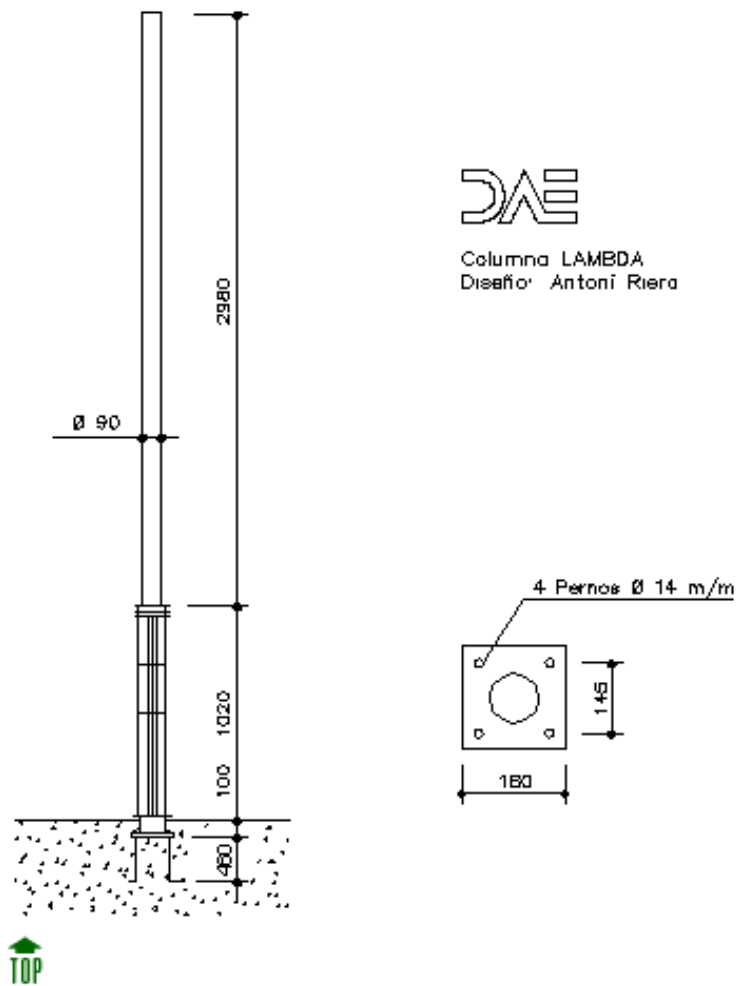
Aprox. weight:

Column without spheres:

Of cast-aluminium: 35 Kg.

Of cast-iron: 67 Kg.





MUR 80/25

80/25

Column «MUR»

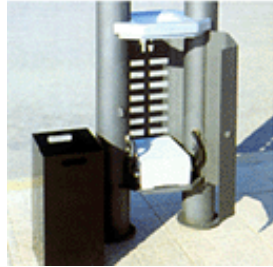
Design: Pepe Baños

© Pepe Baños. Lorca 1995

© DAE, S.A. Barcelona 1997

Material:

The column is composed by two galvanized and painted steel pipes.
Top mouth of litter bin of painted cast-aluminium.
Main body of litter bin of dichromated and painted steel.
Interior container of dichromated and painted steel.



Stainless steel screws and nuts.
4 anchorbolts M18.
Concrete basement 700x700x1000 mm.

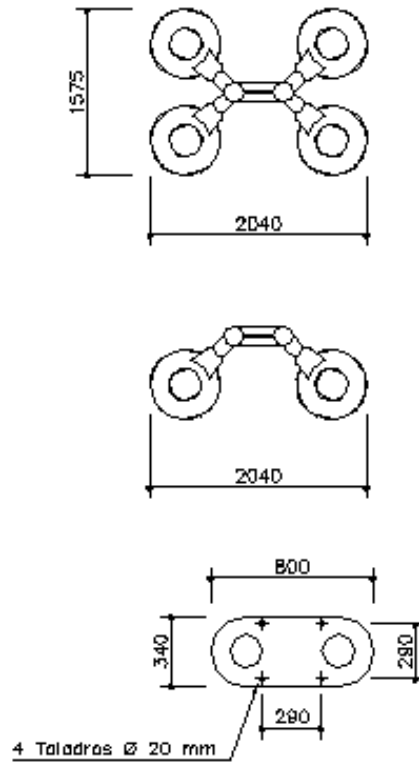
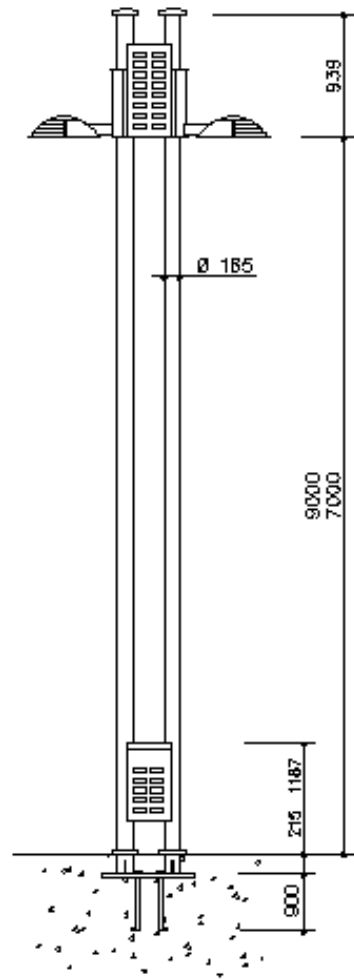
Colour:

Column and litter bin Black forge.
Mouth in silver Grey.
Consult factory for other options.

Aprox. weight: 328 Kg.

At the base of column «MUR», a litter bin is located.
The fuse and connections box is located under the litter bin.





Columna MUR
Diseño: José Baños.



SOLAR 80/27



80/27

Column «SOLAR»

Diseño: Leopoldo Milá, Luis M^a Milá

© Leopoldo Milá, Luis M^a Milá.

Barcelona 1999

© DAE, S.A. Barcelona 2001

Material:

Painted cast-iron base.

Structure and closet in galvanised steel.

3 anchorbolts M16.

Concrete basement 700x700x1000mm.

Electric installation:

Prepared for compact fluorescent bulb of 18, 24 or 36W.,

The Solar Column is thought for an autonomy of 7 days, taking into account that its utilisation will be for 12 hours in a day, depending on the geographic location of the point of light.

It can take one, two or three luminaires.

Options luminaires:

Luminaire NEK

Luminaire TRONIC

Others.

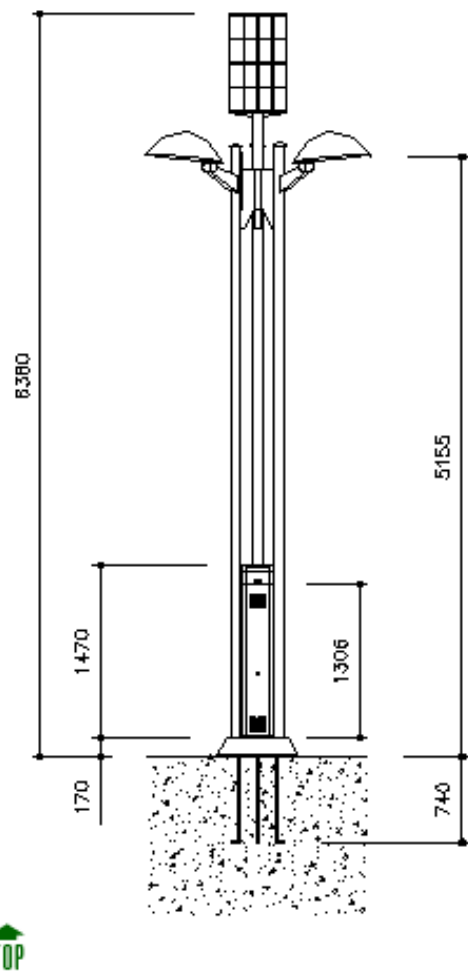
Colour:

Base in Black forge.

Structure and closet in galvanised.

Aprox weight: 460 Kg.





Columna SOLAR
Leopoldo Milá, Luis M^o Milá

MASSANA 80/79

80/79

Farola "MASSANA"

Design: Leopoldo Milá

© Leopoldo Milá. Barcelona 1981

© DAE, S.A. Barcelona 1981

Material:

Painted steel shaft.

Methacrylate shade, 4 mm, thick and Ø 40 mm.

Opal polyethylene sphere.

3 anchorbolts M14.

Concrete basement 300x300x400 mm.

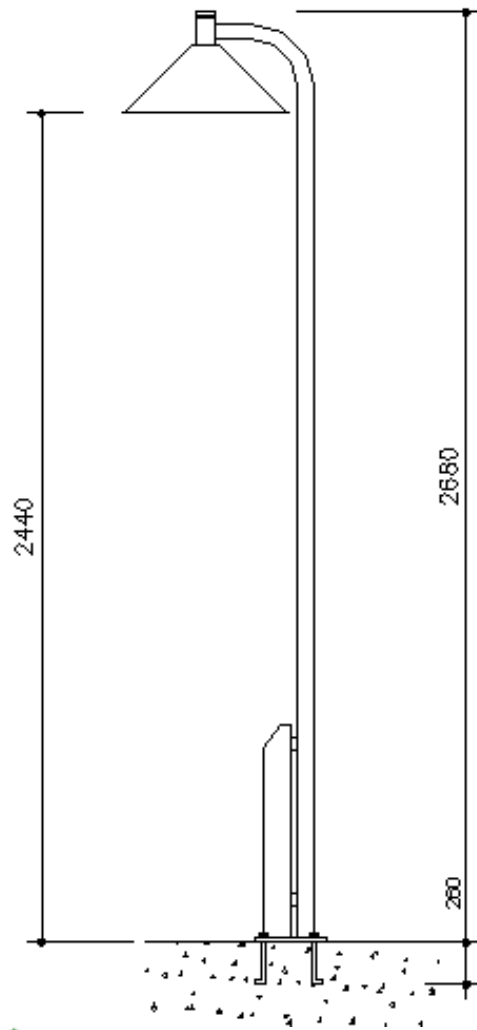


Electrical installation:
Prepared for lamp PLE-C 11W.

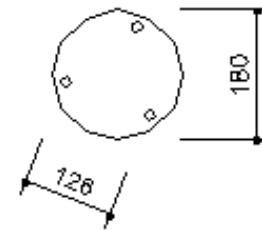
Colour:
Black forge.
Consult factory for other options.

Aprox. weight: 13 Kg.





Farola MASSANA
Diseño: Leopoldo Milá.



↑
TOP

COLUMN"NEK" 80/28



1 Short alum. support



1 Long. alum. support



1 Short. inox. support



1 Long. inox. support



80/28

Column «NEK»

Design: Antoni Riera

© Antoni Riera. Barcelona 1999

© DAE, S.A. Barcelona 2000

Material:

Base in painted cast-iron.

Cylindrical shaft in stainless steel AISI 316L or in painted galvanized steel.

Shaft cover in painted cast aluminium.

4 anchorbolts M16.

Concrete basement 600x600x1000mm.

Colour:

Base in Black forge or steel Grey.

Shaft in polished stainless steel AISI 316L or steel Grey for galvanized steel option.

Consult factory for other options.

Aprox weight:

For a column of 6 m. height: 114 Kg.



COLUMN"BIK" 80/30

80/30

Column «BIK»

Design: Antoni Riera

© Antoni Riera. Barcelona 1999

© DAE, S.A. Barcelona 2000

Material:

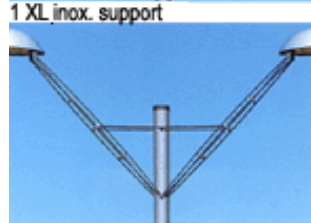
Base in painted cast iron.

Shaft in painted galvanized steel.

Union tube and shaft cover in painted cast aluminium.

Stainless steel screws.

4 anchorbolts M18.



Foot detail
↑
TOP



Concrete basement: 700x700x1000 mm.

Colour:

Base in Black forge.
Shaft in steel Grey.
Union tube and shaft cover in black forge.
Consult factory for other options.

Aprox weight:

For a column of 10 m. height: 203 Kg.



BRITANNIA - Modern, lighting wall mounted

DAE - TRONIC | TIKA | LAMP NEK | PROYECTOR | WALL NEK | HOME

Britannia Architectural Metalwork Ltd, DAE sole agents for UK & Ireland

Traditional Metalwork

Decorative metalwork in Cast iron, bronze, aluminium or wrought iron

- Balustrades and cast panels
- Railings and gates
- Brackets, columns, canopies, gazebos and loggias
- Ridge cresting, tie-bar plates & misc. castings
- Cast gratings and air bricks
- Bollards & sign posts
- Tree grilles & bench ends

Staircases

- Cast iron straight & radial stairs
- Cast iron spiral staircases

Conservation & restoration services

Design service, pattern making & specialised casting

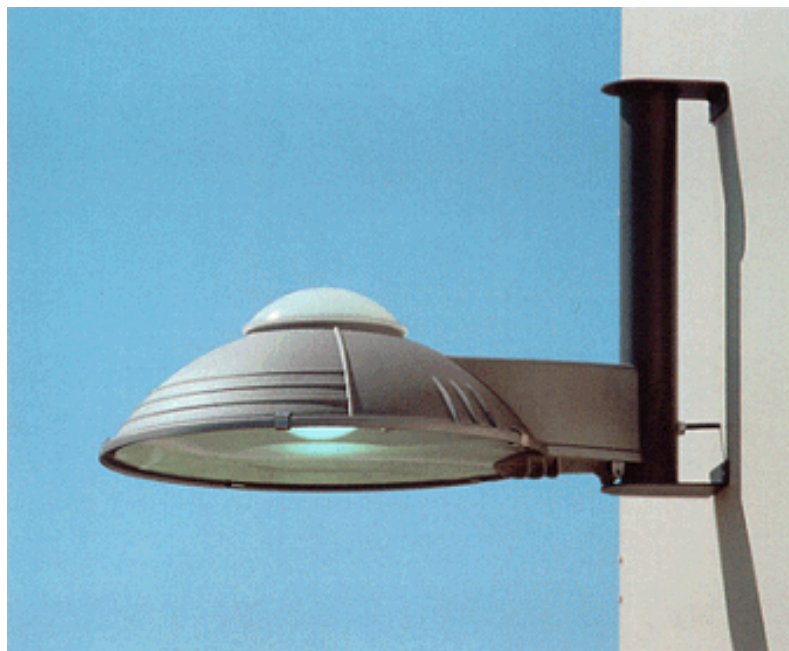
Modern Street Furniture & Lighting

Street furniture

The DAE range from Barcelona

- Benches, chairs & cycle holder
- Bollards
- Illuminated bollards
- Planters
- Litter bins
- Drinking Fountains

TRONIC 80/12



70/11

Bench "MONTSENY"

Design: Leopoldo Milá

© Leopoldo Milá. Barcelona 1990

© DAE, S.A. Barcelona 1990

Selected for ADI-FAD Delta Awards 1991

Material:

Painted cast-iron legs.

Back-rest and seat of "IROKO" coated wood.

Stainless steel screws and nuts.

Anchored to the ground with blind anchorbolts.

Colour:

Legs in black forge.

Consult factory for other options.

Aprox. weight

Double bench (3 m) 131 Kg.

Single bench (1,5 m) 83 Kg.

Armchair (0,60 m) 72 Kg.

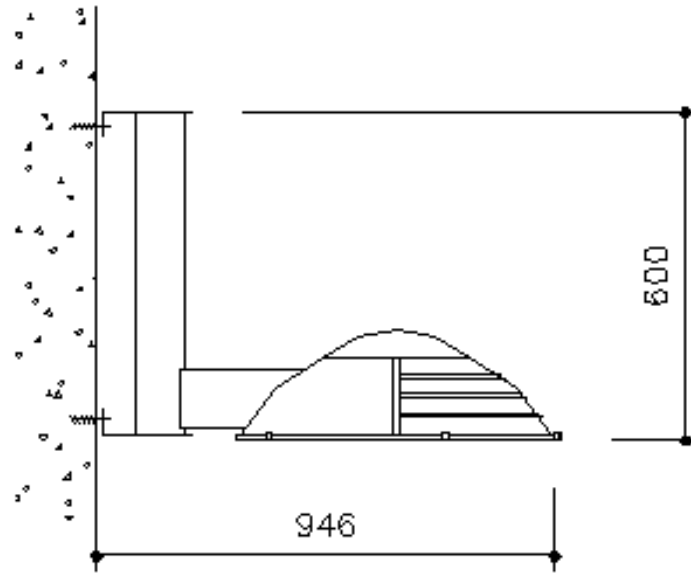
Street lighting

The DAE range from Barcelona

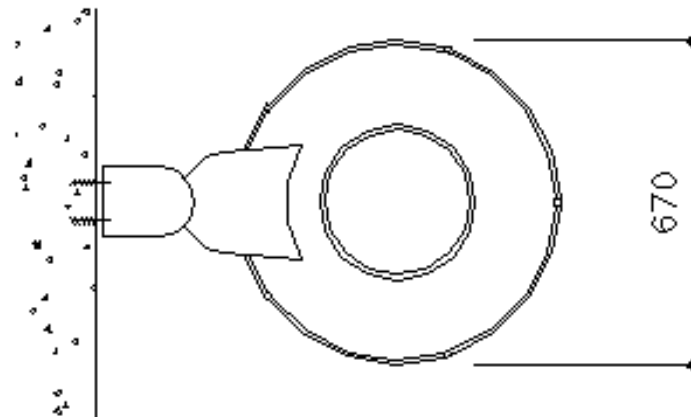
- Lighting columns
- Wall mounted fittings
- Feature lighting
- Bulkhead fittings

Contact us

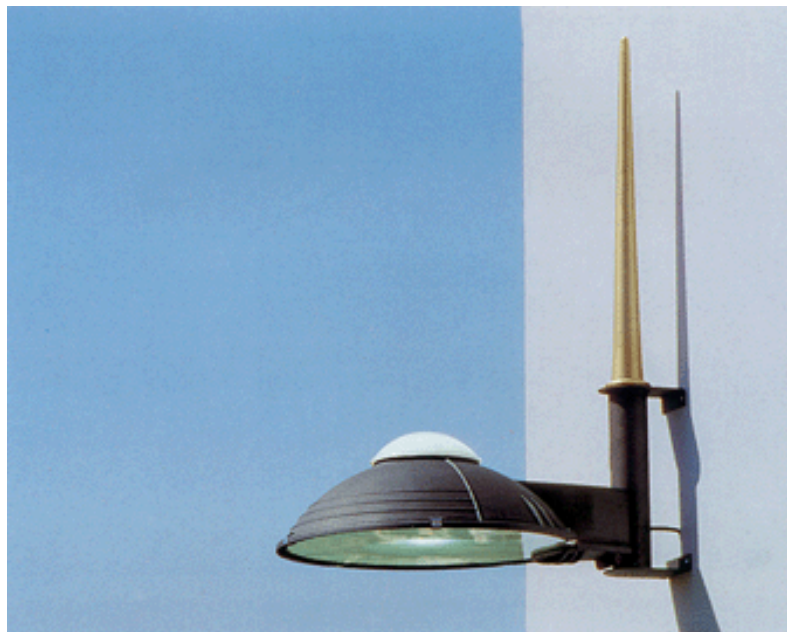
[HOME](#)



Aplique TRONIC
Diseño: Antoni Riera.



TIKA 80/20



70/15

Bench "KORO"

Design: **Patxi Mangado**

© Patxi Mangado. Pamplona 1994

© DAE, S.A. Barcelona 1997

Material:

Painted cast-iron bench legs.

Frame for subjection of wood painted stainless steel.

Seat and back-rest of "IROKO" coated wood.

Stainless steel screws and nuts.

Anchored to the ground with blind anchor-bolts.

Colour:

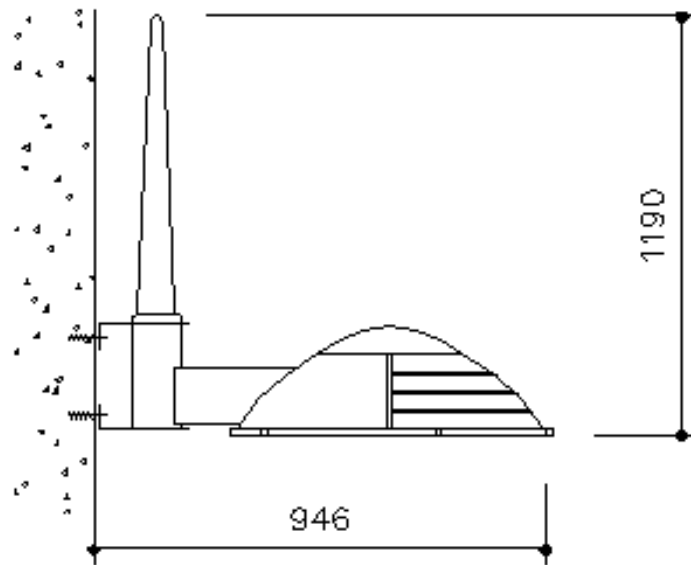
Legs in black forge.

Consult factory for other options.

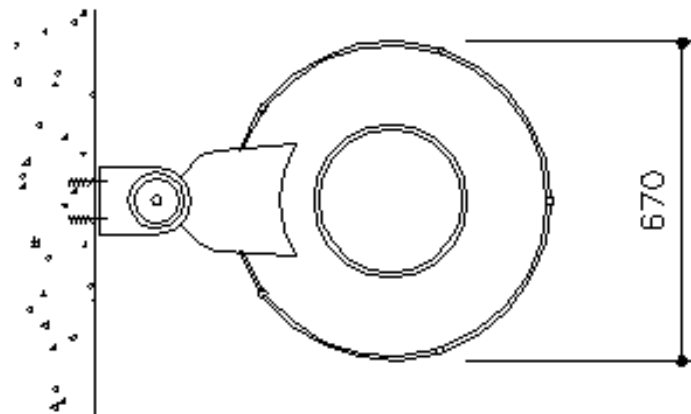
Aprox. weight

Bench (2,60 m):	200 Kg.
Double side bench (2,60 m):	438 Kg.
Bench without back-rest (2,60 m):	132 Kg.

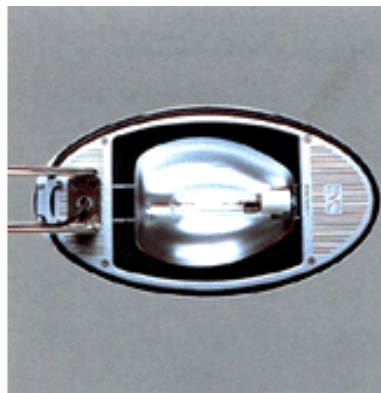
Bench "KORO" can be indefinitely extended creating "urban lines" as space limits.



Aplique TKA
Diseño: Antoni Riera.



LAMP "NEK" 80/28



80/28

Lamp «NEK»

Design: Antoni Riera

© Antoni Riera. Barcelona 1999

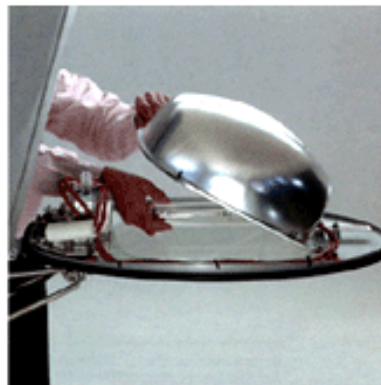
© DAE, S.A. Barcelona 2000

Material:

Frame and casing of painted cast aluminium.

Glass embedded and secured with silicone to the frame. The perimeter goes with gum to contribute to the water tightness.

Stainless steel screws 316 L AISI.



Electrical installation:

Prepared for 250W. M.V.

Options: 80 until 400W. M.V.

70 until 400W. V.S.A.P.

100 until 400W. M.H.

Colour:

Frame in silver Grey RAL 9006

Casing: Brick Red RAL 3016

Blue RAL 5010

Grey RAL 9006

Yellow RAL 1023

IP 66



PROYECTOR"NEK" 80/28



80/28

Projector «NEK»

Design: Antoni Riera

© Antoni Riera. Barcelona 1999

© DAE, S.A. Barcelona 2000

Material:

Frame and casing of painted cast aluminium.

Glass embedded and secured with silicone to the frame. The perimeter goes with gum to contribute to the water tightness.

Stainless steel screws AISI 316 L.

Electrical installation:

Prepared for 250W. V.S.A.P.

Options: 400W. V.S.A.P.

250 until 400W. M.H.

Colour:

Frame in silver Grey RAL 9006

Casing: Brick Red RAL 3016

Blue RAL 5010

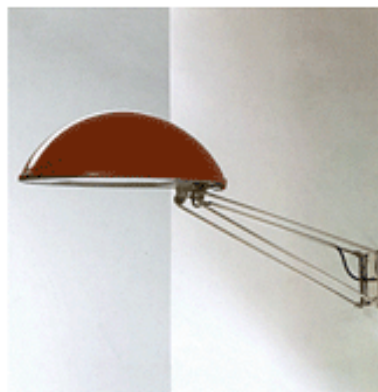
Grey RAL 9006

Yellow RAL 1023

IP 66



WALL"NEK" 80/28



80/28

Wall lamp «NEK»

Design: Antoni Riera

© Antoni Riera. Barcelona 1999

© DAE, S.A. Barcelona 2000

Material:

Frame and casing of painted cast aluminium.

Glass embedded and secured with silicone to the frame. The perimeter goes with gum to contribute to the water tightness.

It exists 2 versions:

With painted cast aluminium arm.

With stainless steel bar AISI 316 L.

Stainless steel screws AISI 316 L.

Electrical installation:

Prepared for 250W. M.V.

Options: 80 until 400W. M.V.

70 until 400W. V.S.A.P.

100 until 400W. M.H.

Colour:

Frame in silver Grey RAL 9006

Casing: Brick Red RAL 3016

Blue RAL 5010

Grey RAL 9006

Yellow RAL 1023

IP66



BRITANNIA - Modern, feature lighting

Traditional Metalwork

Decorative metalwork in Cast iron, bronze, aluminium or wrought iron

- Balustrades and cast panels
- Railings and gates
- Brackets, columns, canopies, gazebos and loggias
- Ridge cresting, tie-bar plates & misc. castings
- Cast gratings and air bricks
- Bollards & sign posts
- Tree grilles & bench ends

Staircases

- Cast iron straight & radial stairs
- Cast iron spiral staircases

Conservation & restoration services

Design service, pattern making & specialised casting

Modern Street Furniture & Lighting

Street furniture

The DAE range from Barcelona

- Benches, chairs & cycle holder
- Bollards
- Illuminated bollards
- Planters
- Litter bins
- Drinking Fountains

DAE - OLIMPIA | ANDERA | HOME

Britannia Architectural Metalwork Ltd, DAE sole agents for UK & Ireland

OLIMPIA 80/24



80/24

Column «OLIMPIA»

Design: F. Correa, A. Milá
© F. Correa, A. Milá. Barcelona 1996
© DAE, S.A. Barcelona 1996

Material:

Painted cast-iron base, made of 3 modules
Polycarbonate shade, 4 mm. thick.
Interior frame of galvanized steel.
Stainless steel screws and nuts.
4 anchorbolts M20 .
Concrete basement 1500x1500x1000 mm.

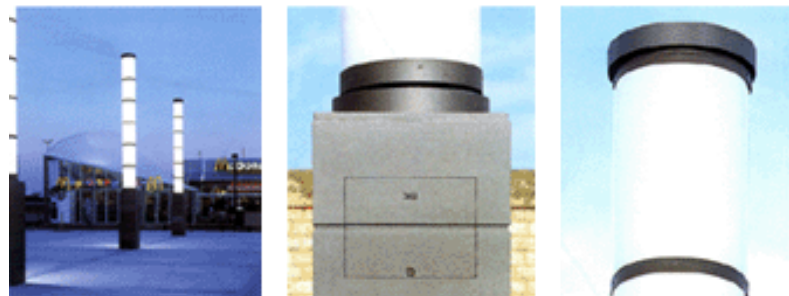
Electrical installation:

12 Fluorescent lights, «PHILIPS TLD»
58 W/82

Colour:

Cast-iron base Black forge.
Consult factory for other options.

Aprox. weight: 557 Kg.



The column has been created as the small version of the column which was specially designed for the open space in front of the Olympic Stadium of

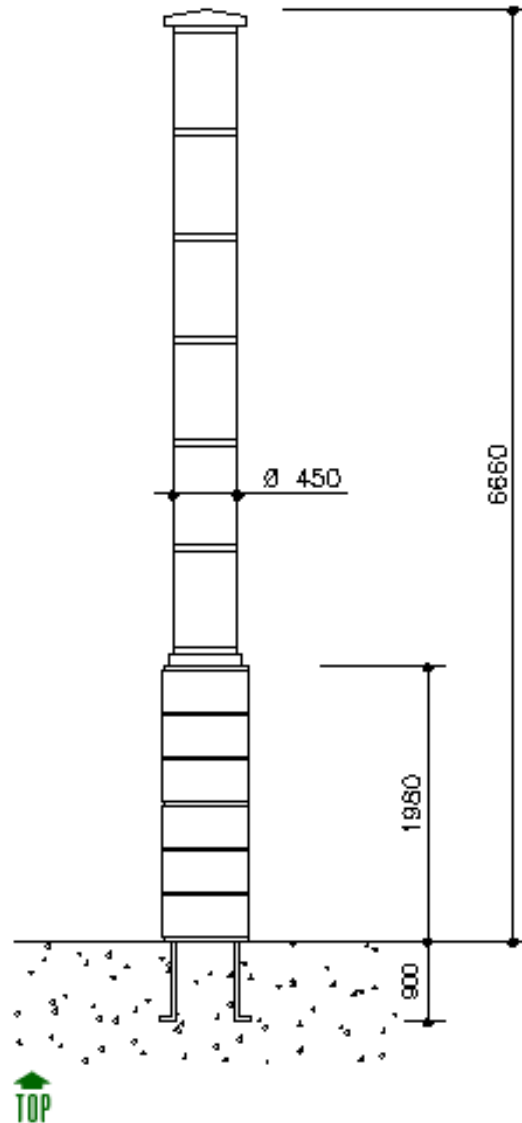
Street lighting

The DAE range from Barcelona

- Lighting columns
- Wall mounted fittings
- Feature lighting
- Bulkhead fittings

Contact us

[HOME](#)

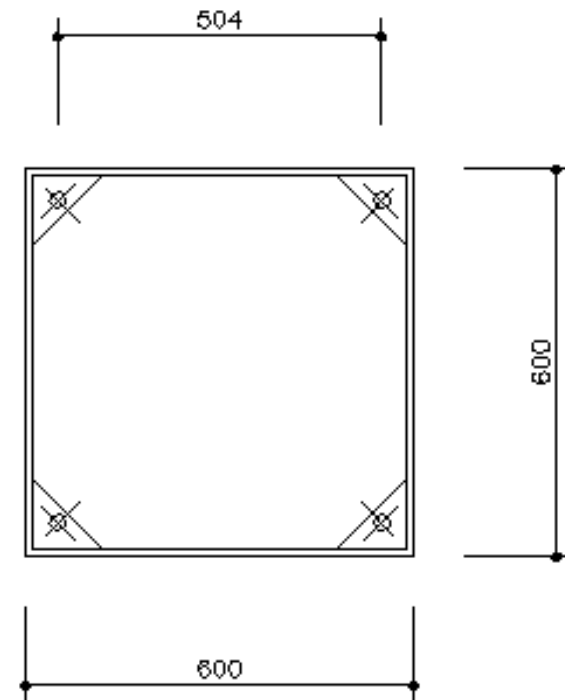


Barcelona'92.

The cylindrical and vertical shape of the column produces an environmental lighting very appropriated for gardens, parks, avenues, squares, etc.



Columna OLIMPIA
Diseño: F. Correa,
A. Miñá.



ANDREA 80/18



80/18

Column «ANDREA»

Design: Martorell, Bohigas, Mackay Puigdomènech.

© Martorell, Bohigas, Mackay,

Puigdomènech. Barcelona 1992

© DAE, S.A. Barcelona 1992

Material:

Painted cast-iron.

Methacrylate shade, 6 mm. thick.

Painted steel ventilation grille protected with an anti-corrosión coating (Dichromated).

Stainless steel screws and nuts.

12 anchorbolts M24.

Concrete basement 2000x2000x1000 mm.

Electrical installation:

Two external and directional metal halogen projectors of 70W.

Two internal 250W. M.V. lamps.

Colour:

Black forge.

Consult factory for other options.

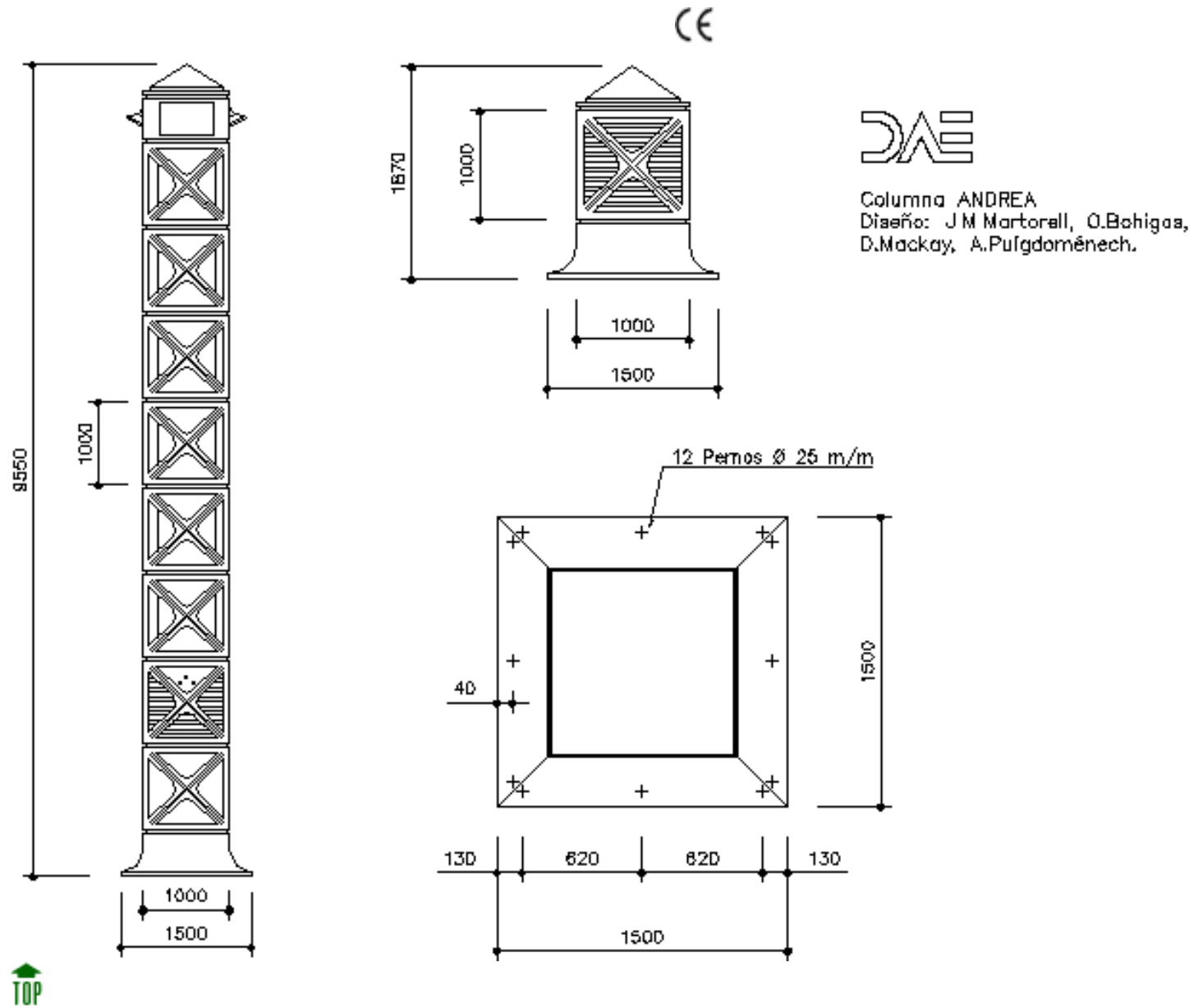
Aprox. weight:

a) Ventilation/light column: 4625 Kg.

b) Ventilation: 2166 Kg.

Variable height depending on number of modules installed.

According to her creators, street light «ANDREA» was designed to «provide an answer to a double and functional need: to illuminate individual objects in landscapes and the necessity to integrate



BRITANNIA - Modern lighting, bulkhead fittings

Traditional Metalwork

Decorative metalwork in Cast iron, bronze, aluminium or wrought iron

- Balustrades and cast panels
- Railings and gates
- Brackets, columns, canopies, gazebos and loggias
- Ridge cresting, tie-bar plates & misc. castings
- Cast gratings and air bricks
- Bollards & sign posts
- Tree grilles & bench ends

Staircases

- Cast iron straight & radial stairs
- Cast iron spiral staircases

Conservation & restoration services

Design service, pattern making & specialised casting

Modern Street Furniture & Lighting

Street furniture

The DAE range from Barcelona

- Benches, chairs & cycle holder
- Bollards
- Illuminated bollards
- Planters
- Litter bins
- Drinking Fountains

DAE - TOPO | AUGUSTA | HOME

Britannia Architectural Metalwork Ltd, DAE sole agents for UK & Ireland

TOPO 80/22



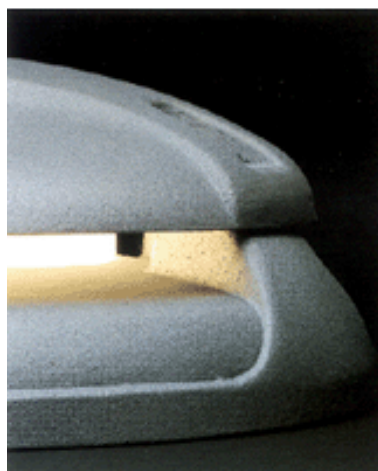
80/22

Beacon «TOPO»

Design: Leopoldo Milá
© Leopoldo Milá. Barcelona 1994
© DAE, S.A. Barcelona 1995

Material:

Painted cast-aluminium base and top screen.
Methacrylate shade, 3 mm. thick.
Stainless steel screws and nuts.
3 metallic stoppers Ø8 mm.



Electrical installation:

Prepared for lamp PL-S 7W.

Colour:

Steel grey.
Consult factory for other options.

Aprox. weight: 12,5 Kg.

IP 66



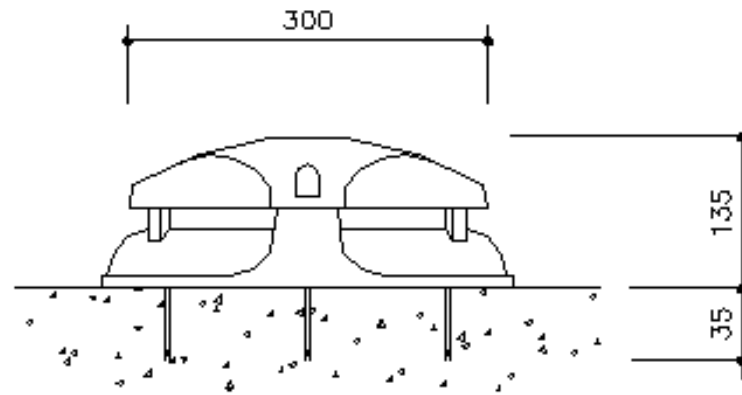
Street lighting

The DAE range from Barcelona

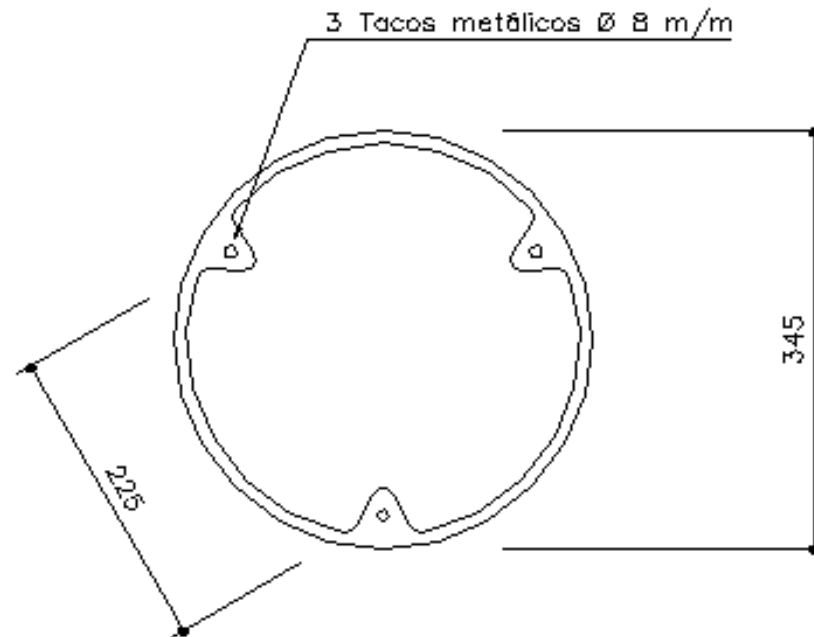
- Lighting columns
- Wall mounted fittings
- Feature lighting
- Bulkhead fittings

Contact us

[HOME](#)



Baliza TOPO
Diseño: Leopoldo Milá.



AUGUSTA 80/16



80/16

Beacon «AUGUSTA»

Design: A. Ferrer, J. Augé, A. Viscasillas

© A. Ferrer, J. Augé, A. Viscasillas. Barcelona 1992

© DAE, S.A. Barcelona 1992

Material:

Painted cast-aluminium top screen and base.

«PYREX» glass.

Stainless steel screws and nuts.

3 metallic stoppers Ø8mm.

Electrical installation:

Prepared for lamp PL-C 26W.

Colour:

Steel grey.

Consult factory for other options.

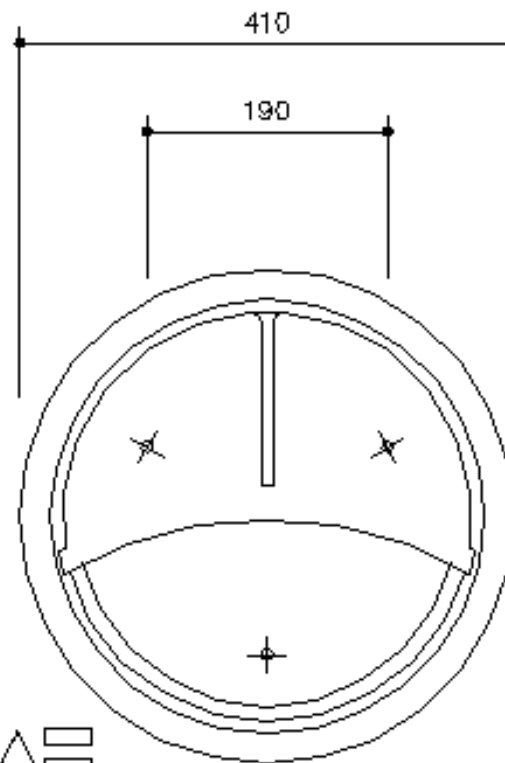
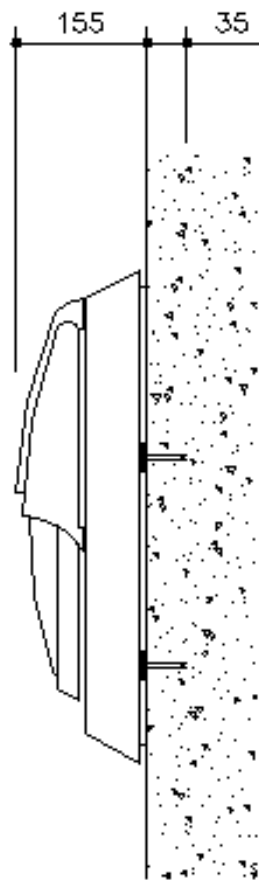
Aprox. weight:

With screen: 8 Kg.

Without screen: 7 Kg.

IP 65





Baliza AUGUSTA
Diseño: A.Ferrer, J.Augé, A.Viscasillas



BRITANNIA - Contact us

Traditional Metalwork

Decorative metalwork in Cast iron, bronze, aluminium or wrought iron

- Balustrades and cast panels
- Railings and gates
- Brackets, columns, canopies, gazebos and loggias
- Ridge cresting, tie-bar plates & misc. castings
- Cast gratings and air bricks
- Bollards & sign posts
- Tree grilles & bench ends

Staircases

- Cast iron straight & radial stairs
- Cast iron spiral staircases

Conservation & restoration services

Design service, pattern making & specialised casting

Modern Street Furniture & Lighting

Street furniture

The DAE range from Barcelona

- Benches, chairs & cycle holder
- Bollards
- Illuminated bollards
- Planters
- Litter bins
- Drinking Fountains

HOME

Britannia: Sole UK & Ireland Distributors of DAE Furniture & Lighting

Britannia Architectural Metalwork & Restoration

**The Old Coach House
Draymans Way, Alton,
Hampshire GU34 IAY**

Telephone: 01420 84427

Fax: 01420 89056

Email: info@britannia.uk.com

Street lighting

The DAE range from Barcelona

- Lighting columns
- Wall mounted fittings
- Feature lighting
- Bulkhead fittings

Contact us

HOME