

PALLAS SYSTEM



WELDED MESH PANEL FENCE

STYLISHLY APPEALING - Wide range of colour options

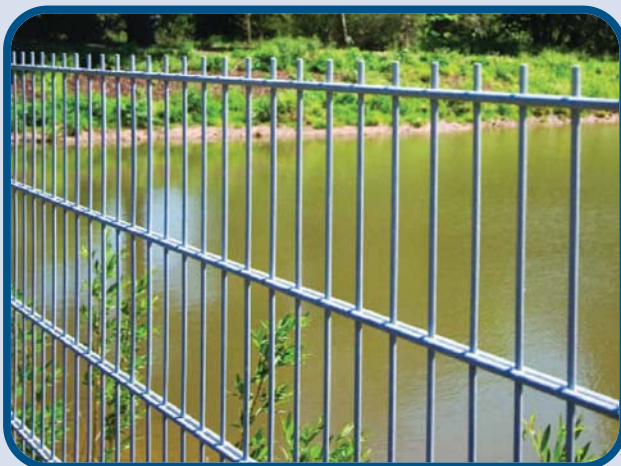
UNIQUE HEXACLIP FIXING SYSTEM - Secure fixing of panels to posts

STRONG AND RESILIENT - Resistant to general vandalism

...where **EXCELLENCE** is **TRADITION**

Our aim of continual product improvement requires us to reserve the right to change the specification details contained herein without prior notice.

The Pallas fencing system is ideal where security is required but without an oppressive and intimidating appearance. It is designed to be strong yet resilient and yet remain unobtrusive and elegant. This system is capable of blending into its environment or enhancing the surroundings as a design feature.



SPECIFICATION

Pallas panels are manufactured using 6.0mm dia. vertical wires and twin 8.0mm dia. horizontal wires which result in a very strong mesh and a very stable fence.

The mesh is 50mm x 200mm, fully welded at every intersection. Pallas gives the option of installing the barbed edge at the top of the fence or at the bottom. A lighter gauge Pallas panel (Pallas Lite) is also available incorporating 5.0mm dia. vertical wires and twin 6.0mm dia. horizontal wires. The width of the Pallas panels suits post centres of approx. 2500mm and the following heights are available as standard:-

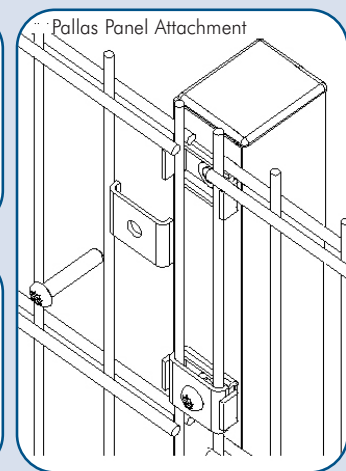
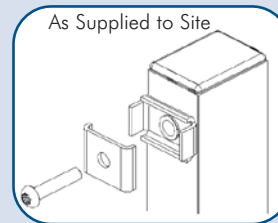
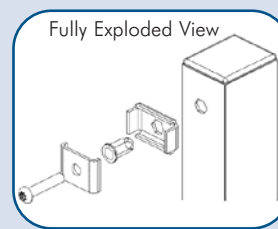
Type	Panel Height	No of clips per post
Pallas 100	1030mm	5
Pallas 120	1230mm	6
Pallas 180	1830mm	7
Pallas 200	2030mm	8
Pallas 240	2430mm	8

The Hexaclip RHS posts are manufactured from 60mm x 40mm steel section and have a unique and patented fixing method specially designed by Heras to give maximum possible resistance to vandalism and attempts to force entry. The welded mesh panels are located on the face of the post with two piece clips fixed with 'anti-tamper' bolts. These clips firmly clamp the end vertical wires, providing an extremely secure fixing.

CHOICE OF FINISHES

The Pallas system is available in a galvanised finish, in addition they can be colour coated in a wide choice of colours.

POST AND PANEL FIXING



STANDARD SWING GATE SIZES AND OPENINGS TO SUIT THE PALLAS SYSTEM:-

Gate Width	Leaf Type	90 Deg Opening		180 Deg Opening	
		Between Posts	Overall Posts	Between Posts	Overall Posts
1200mm	S/L	1265mm	1425mm	1205mm	1365mm
3000mm	D/L	3120mm	3280mm	3000mm	3160mm
4000mm	D/L	4120mm	4320mm	4000mm	4200mm
5000mm	D/L	5120mm	5420mm	5000mm	5300mm
6000mm	D/L	6120mm	6420mm	6000mm	6300mm
7000mm	D/L	7150mm	7510mm	7020mm	7380mm
8000mm	D/L	8150mm	8510mm	8020mm	8380mm
9000mm	D/L	9150mm	9550mm	9020mm	9420mm
10000mm	D/L	10150mm	10550mm	10020mm	10420mm

GATE INFILL

Pallas mesh is welded into our standard Heras gate frame for added security.

As well as swing gates Heras also supplies a range of cantilever and tracked sliding gates.

Full specification details and drawings are available on request, please contact our sales office for more information.

