



Heritage timber



LANDSCAPE AND STREETSCAPE DESIGNS

Heritage Timber is one of the United Kingdoms leading suppliers of Hardwood & Softwood Components to the Landscape and Streetscape Designer. Our range of Landscape & Streetscape products are manufactured by traditional methods in specified Hardwoods originating only from certifiable sustainable sources and selectively treated English softwoods. The full range of components is extensive but not limited, and we are always pleased to receive and discuss your own specific ideas, transforming them into reality. Bespoke and one off designs are regularly accepted.

Quality products and unparalleled commitment are what is expected from **Heritage Timber**. All timber components can accept a wide range of stain finishes, and coupled with the highest woodworking practices we can ensure the guaranteed quality product.

- Town Centres
 - Car Parks
 - Play Areas
 - Parks & Zoo s
- Business Parks
 - Schools
 - Residential Areas
 - Regeneration Zones



VISIT OUR WEBSITE AT:
www.heritagetimber.co.uk

BOLLARDS

Heritage Timber is a specialist manufacturer and supplier of square and round Hardwood / Softwood Bollards. The company's joinery facility specialises in machine turning & planing, offering an extensive range of bollards both as standard and to customer's own design.



SEATING

Heritage Timber Seats are supplied fully assembled with legs extended to be set in concrete 300mm below ground level, or if required can be free standing, with either galvanised or stainless steel fixing brackets. The Balmoral style seating can be straight, curved, or mitred at an angle.



SIGNAGE

Heritage Timber has built up considerable expertise in the production of deep engraved natural & painted sign panels, and recently in sand-etched cedar hardwood theme Signage.



PLANTERS & LITTER BINS

The Heritage range of Planter Boxes has become increasingly popular in inner city areas, as they create a much-needed display of flowers & foliage in an otherwise concrete environment. The planter boxes are supplied in component form for easy assembly to the height and shape required.



LANDSCAPE PROJECTS

Heritage Timber has a co-ordinated range of Landscape products inclusive of bollards, seating, planter boxes / litter bins, which will unify and enhance a wide range of inner city and rural projects. Bespoke and one-off designs are regularly accepted.





Traffic Control Bollards are fitted with Highways approved Class 1 Reflective bands or aluminium plates / discs.

Parking Bay & Information Bollards can be engraved and painted with numbers & symbols or have screen printed plates recessed into the side of the bollard.

Bollards which need to be included in an already paved area with depth restriction due to underground cable/mains services, can be supplied at a reduced length with an attached galvanised steel plate, which is then secured by rawbolts to the underlying concrete.

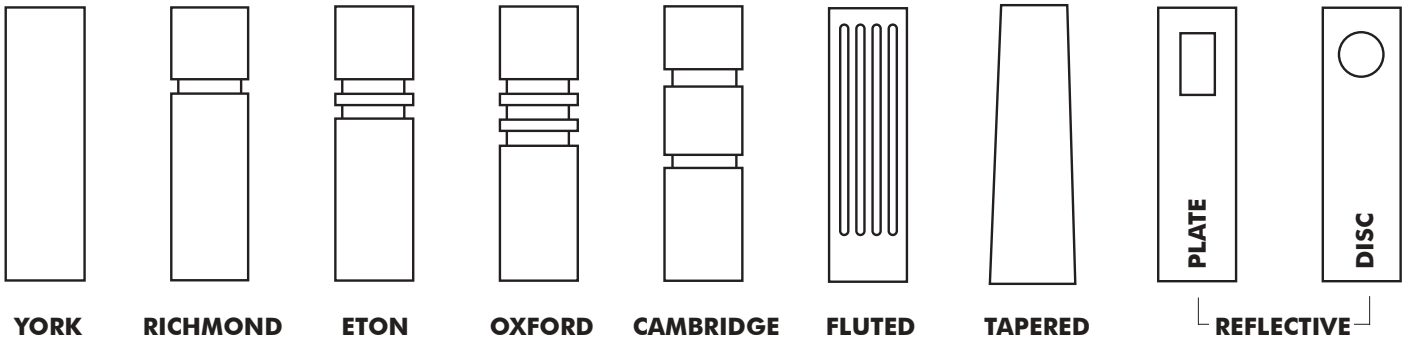
Parking Control Bollards can be removed or hinged, with a lockable fitting in galvanised or stainless steel.

Ram-raid deterrent Bollards in Hardwood are available in larger sections for shop front protection.

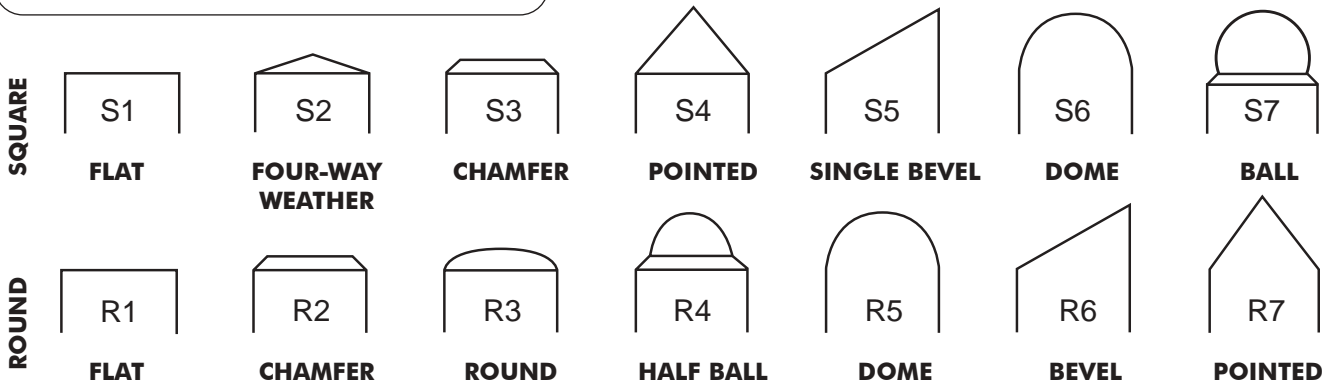


All Heritage Timber Bollard designs can be adapted for Post & Rail or Post & Chain systems.

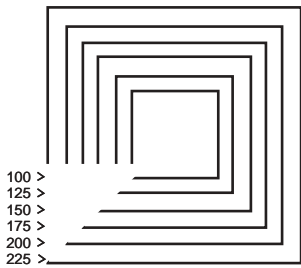
BOLLARDS



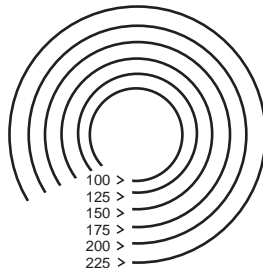
PROFILES



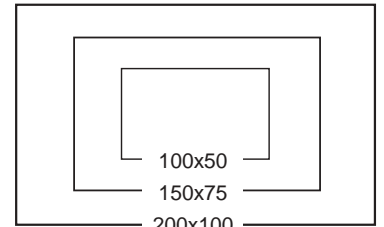
SECTIONS



SQUARE



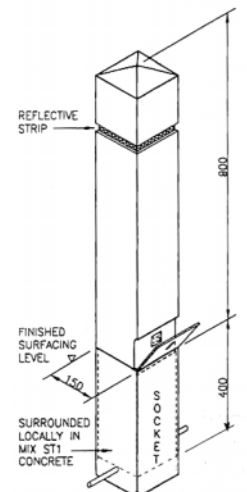
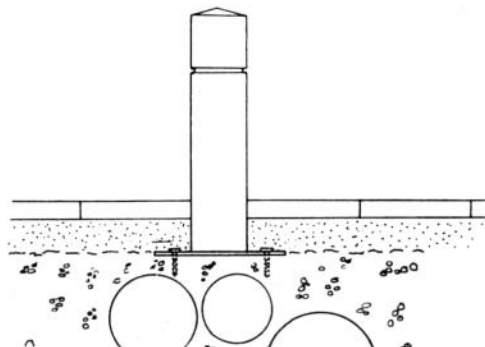
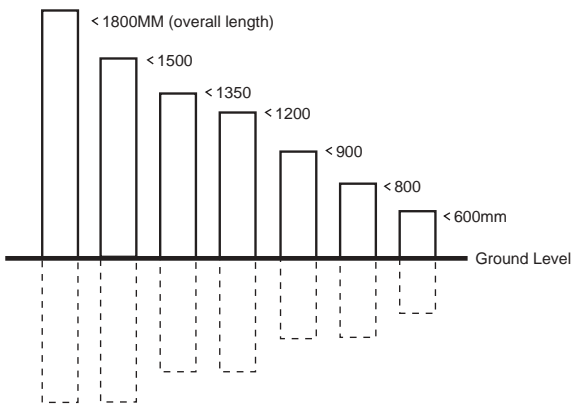
ROUND



RECTANGLE

Other sizes available on request

LENGTHS





Hardwood seats are supplied fully assembled without the use of any metal fixings. All seating can accept a wide range of stain finishes.

The Balmoral seating range can be straight, curved, or mitred at an angle if needed.

Free standing seating can be supplied with L-shaped fixing brackets in galvanised or stainless steel.

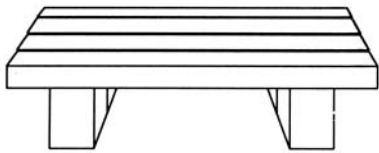
Seating for Infant and Junior Schools can be produced at reduced dimensions if specified.

Seating designs are still under constant development and our office will be pleased to receive your own ideas, and transform them into reality.

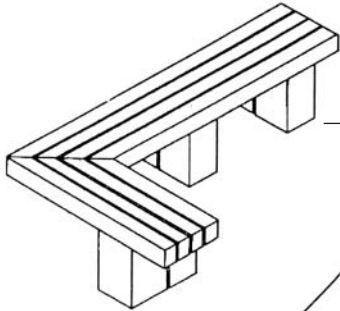


Quality products and unparalleled commitment are what is expected from Heritage Timber.

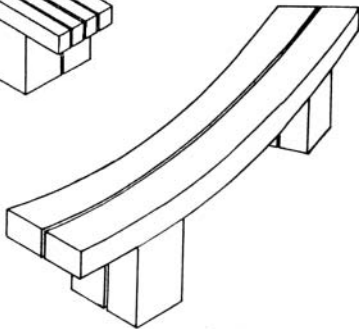
SEATING



Balmoral.....1500mm long
1800mm long
2000mm long
2500mm long

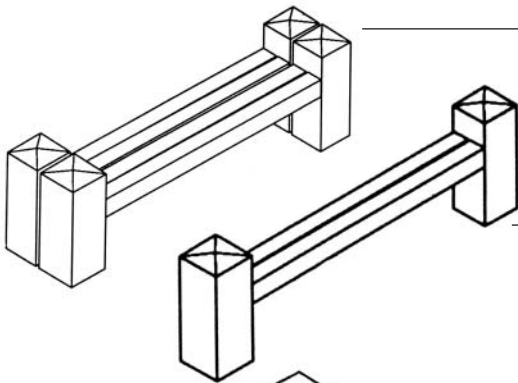


L-Shaped.....Sizes to suit

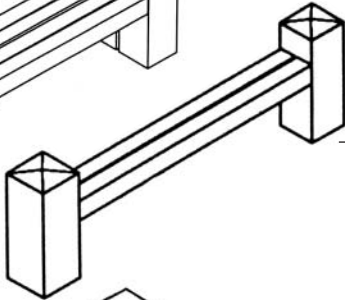


Curved.....1800mm long
2000mm long

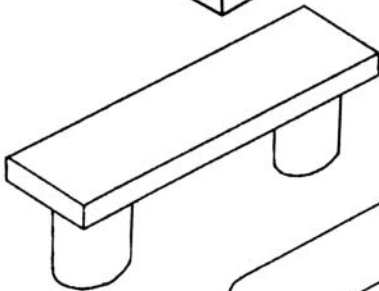
*Radii: 3m, 3.5m, 4.0m, 4.5m, 5.0m,
 5.5m, Others available on request.*



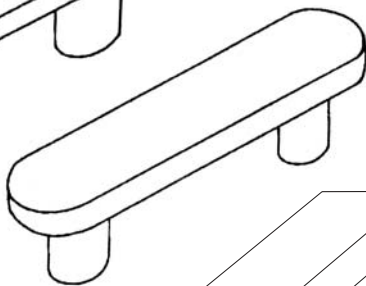
Windsor.....1800mm long
2000mm long



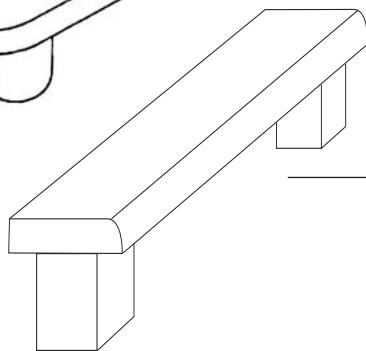
Buckingham.....1500mm long
1800mm long



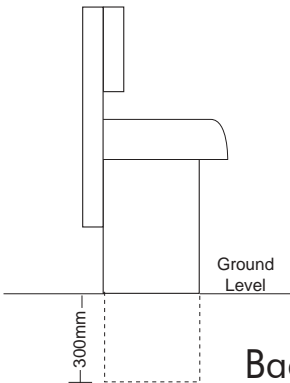
Tudor.....1500mm long
1800mm long



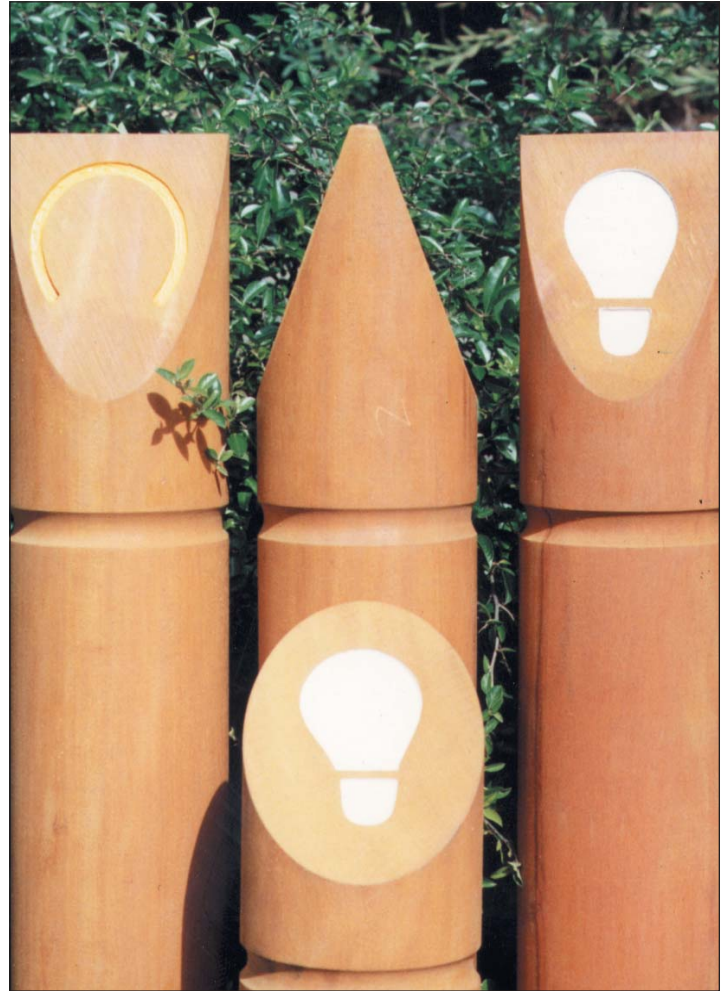
Saxon.....1500mm long
1800mm long



Berkley.....1500mm long
1800mm long
2000mm long
2500mm long

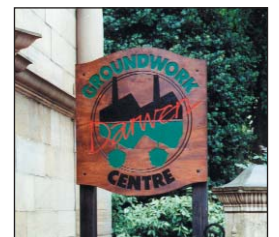
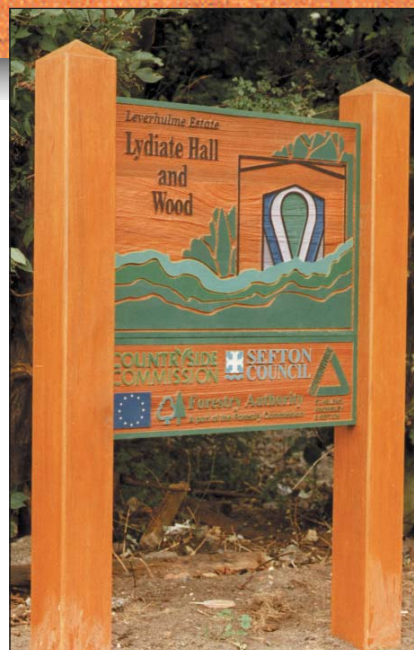


Back-rest available for seating.



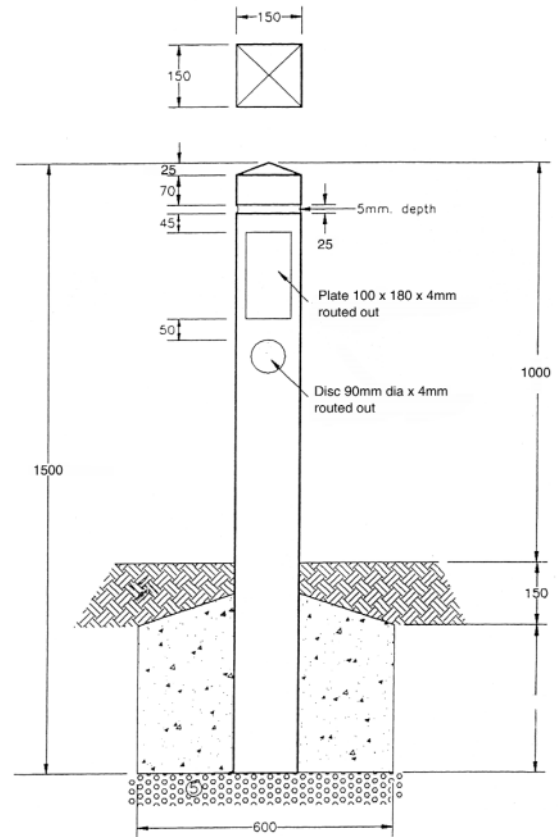
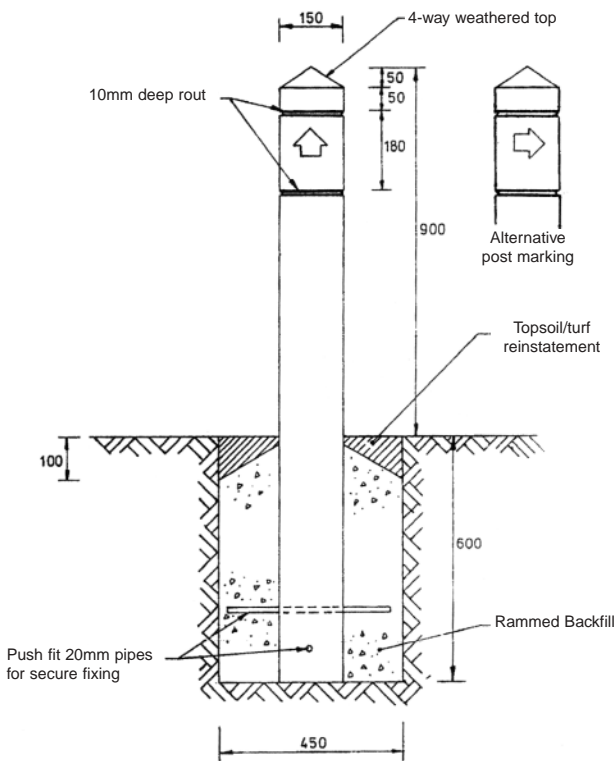
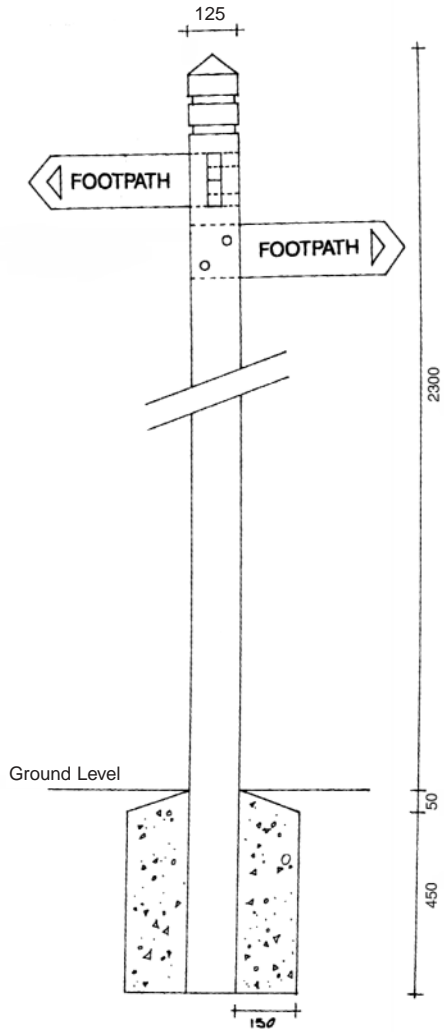
- Information Bollards
- Waymarker Bollards
- Bridleway Markers
- Public Footpath Finger Posts
- Golf Course Signage
- Theme Signage

Painting and finishing to BS standards.



Heritage Timber will be pleased to discuss your specific requirements

SIGNAGE





Planter Boxes are supplied in component form without the need for metal fittings enabling easy assembly on-site. Ideally laid on an open permeable site, they may if required be placed directly onto concrete paving, provided a polythene liner is used to avoid soil spillage.

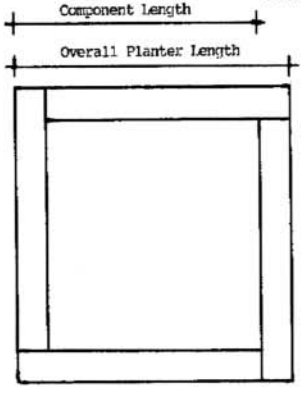
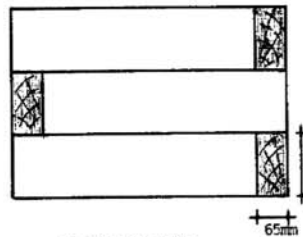
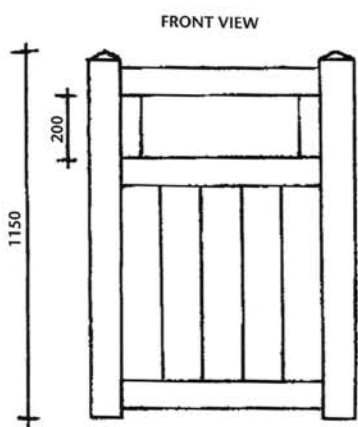
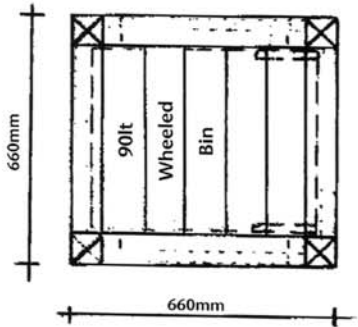
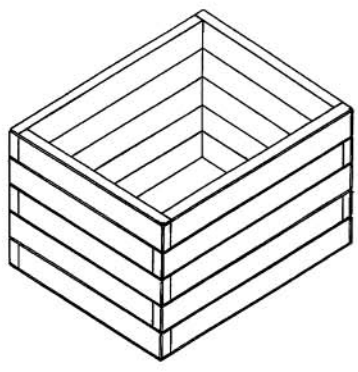
Co-ordinated range of Litter Bins incorporating galvanised mesh steel liners.

All Heritage Timber components will accept a wide range of stain finishes which can be specified before delivery or on-site after assembly.

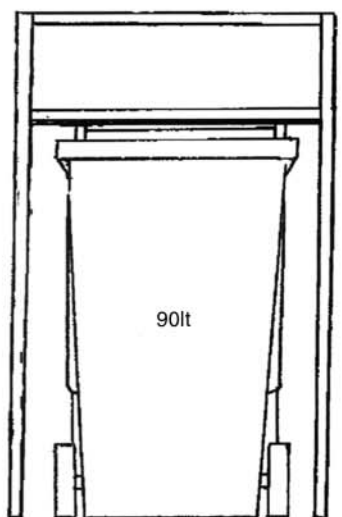
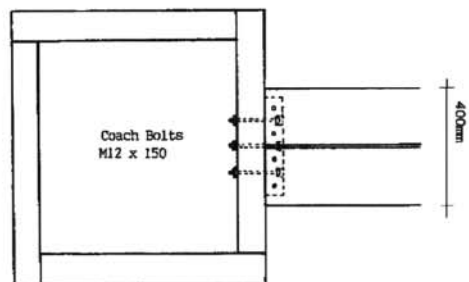
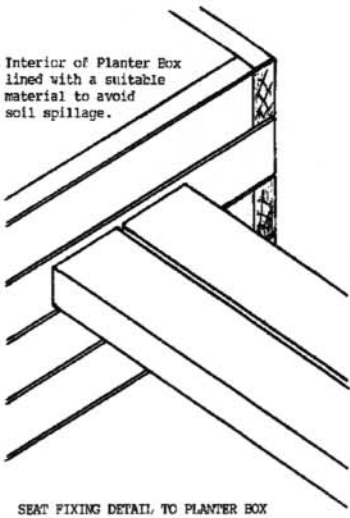
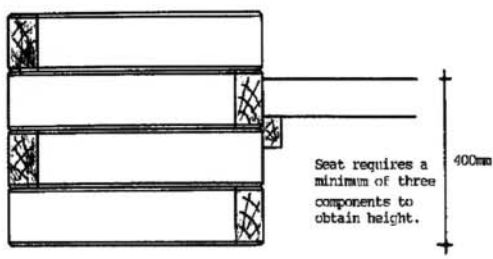
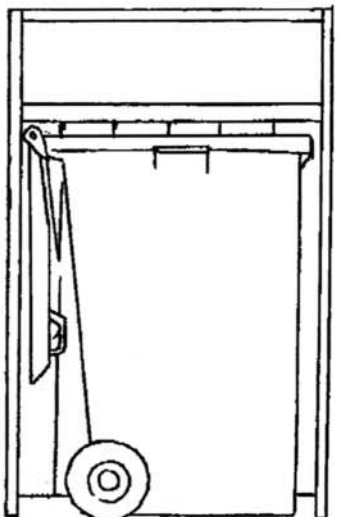
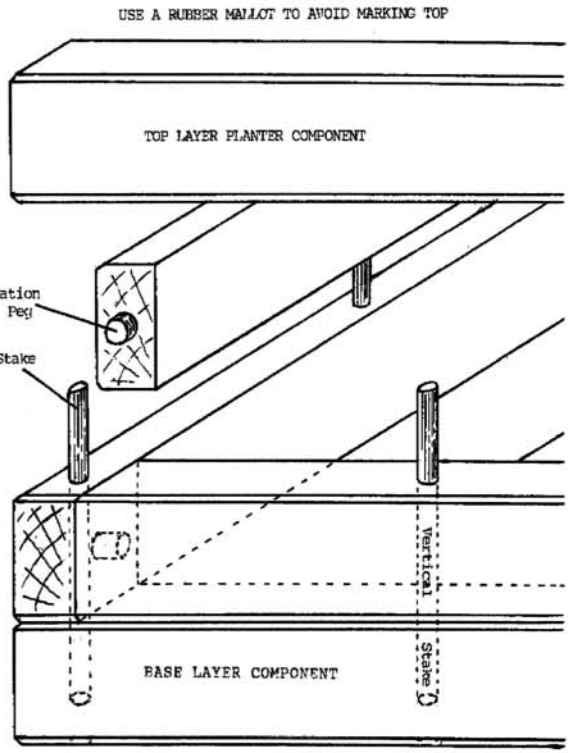
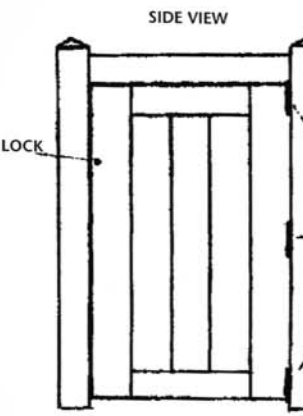


Heritage Timber will be pleased to discuss your specific requirements.

PLANTERS & LITTER BINS



PLAN VIEW



ENVIRONMENTAL POLICY FOR WOOD AND WOOD PRODUCTS

This Company has a clear environmental policy and a clear environmental purchasing policy for wood and wood products. The Timber Trade Federation and Forests Forever have drafted these policies.

The Environmental policy is based on two founding principles: Forests, forest functions and products, including wood, contribute to human well-being world-wide. Every country including the UK must value its forests and strive for equity in access to the benefits which forest provides.

The ultimate responsibility for forest policy lies within the sovereign Government people of individual forested countries. They have the task of balancing environmental, economic, social and political needs. Nevertheless this Company believes that the UK timber industry has a responsibility to its customers, suppliers and staff to base its commercial activities on properly managed forests.

In acknowledging these principles:

- 1 This Company is committed to sustainable forest management and will make all reasonable effort to promote progress in environmental issues to meet social and economic requirement.
- 2 This Company encourages the use of woods as an environmentally acceptable material and is constantly seeking beneficial ways to reduce wood waste and to utilise residues.
- 3 This Company expects to review and if necessary extend its policy as a result of future recommendations within the industry, and especially standards which may be specified by The Timber Trade Federation and Forests Forever.



**VISIT OUR WEBSITE AT:
www.heritagetimber.co.uk**



WATERWAY COTTAGE
10 DARK LANE
WHITTLE-LE-WOODS
CHORLEY
LANCASHIRE PR6 8AE

TEL: 01257 267700
FAX: 01257 261192

email: sales@heritagetimber.co.uk
web: www.heritagetimber.co.uk



Paper produced from
wood pulp sourced from
sustainable forests