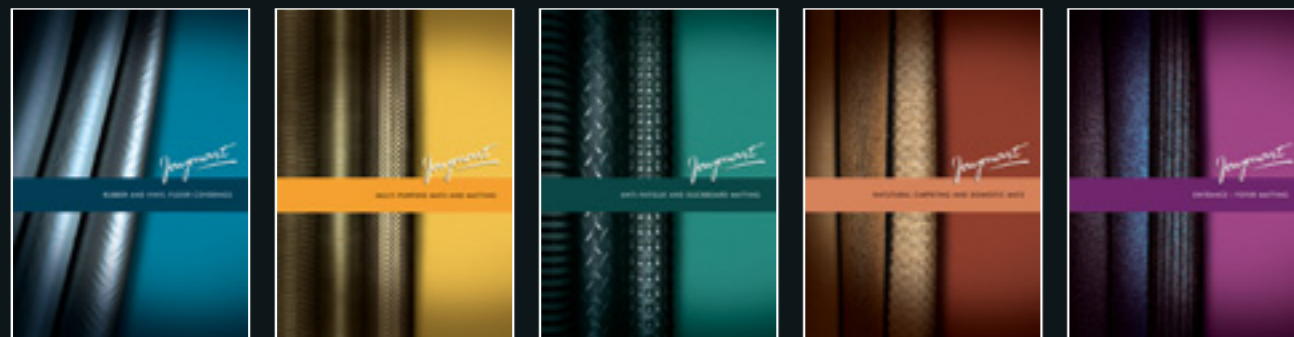


Jaymart

Jaymart



Rubber and vinyl floor coverings

Multi purpose mats and matting

Anti-fatigue and duckboard matting

Natural carpeting and domestic mats

Entrance/foyer matting

ALUMINIUM ENTRANCE MATTING SYSTEMS

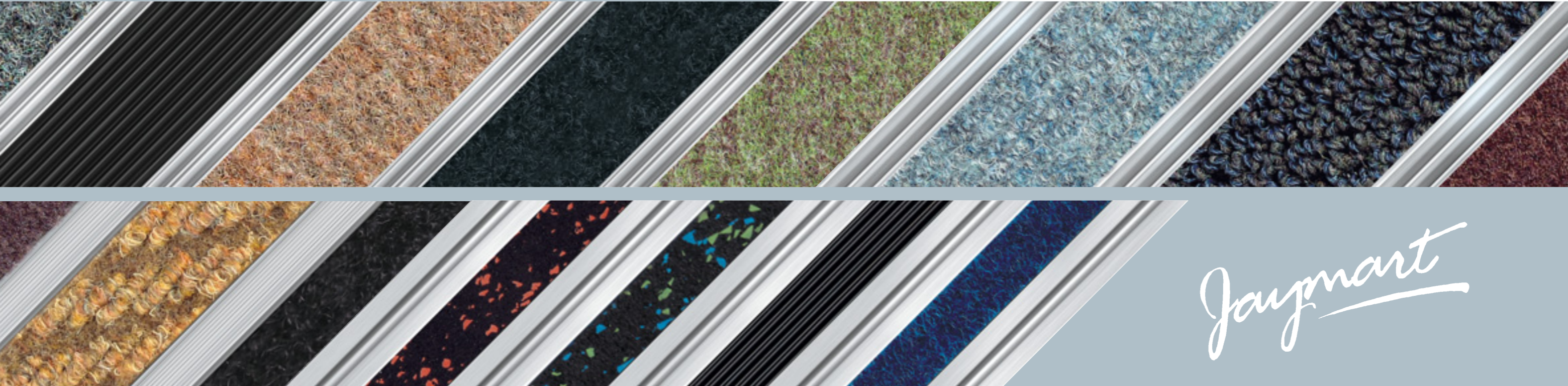
FOR FURTHER INFORMATION, FREE COPIES OF ANY OF OUR OTHER BROCHURES
OR FREE SAMPLES PLEASE PHONE:

01373 864926

www.jaymart.co.uk

email: matting@jaymart.co.uk

Jaymart Rubber & Plastics Ltd., Woodlands Trading Estate, Eden Vale Road, Westbury, Wiltshire BA13 3QS Fax: 01373 858454



Jaymart

Spoilt for choice

At Jaymart, choice is at the heart of everything we do.

We have the world's largest collection of specialist mats and matting, with a portfolio of approximately 500 different ranges. In itself that's some choice, but by talking to you and understanding your requirements we can advise you as to which ranges will be most appropriate to your situation, and help you make an informed choice.

But don't think that choice ends there. Each Jaymart mat comes in a variety of widths and sizes and a host of different patterns, to enhance and complement any interior. And then there's our bespoke manufacturing service, and the option of having your logo reproduced within your matting.

As a family-run business we understand better than most that maintaining the quality of our service is crucial if we are to remain as people's supplier of choice. To this end we are always available to discuss your needs and offer free advice, and we demand as standard, delivery and lead times of ourselves that other companies might ask you to pay extra for.

Jaymart understand that you can decide to go elsewhere for your matting at anytime but we are determined to make sure that would be your only really difficult choice.



Jaymart

Step One

A clean and welcoming environment is essential for the success of any business, so with around 80% of dirt entering your building on the soles of peoples shoes, effective, efficient and attractive entrance matting is more than just a good first step - it's a necessity.

The nature and construction of Jaymart's mats is such that they are stronger and more durable than wired or rollable matting, yet flexible enough to be shaped on site to ensure

a perfect fit every time. They also allow each section to align precisely, so there are no unsightly T-bars required. We can also supply replacement strips at any time regardless of a mat's shape, to allow for changes in décor.

In short, the finished mats look better, last longer and work better, and that's got to be a step in the right direction.

Helpful symbols:

18mm
GAUGE

GAUGE OF PRODUCT



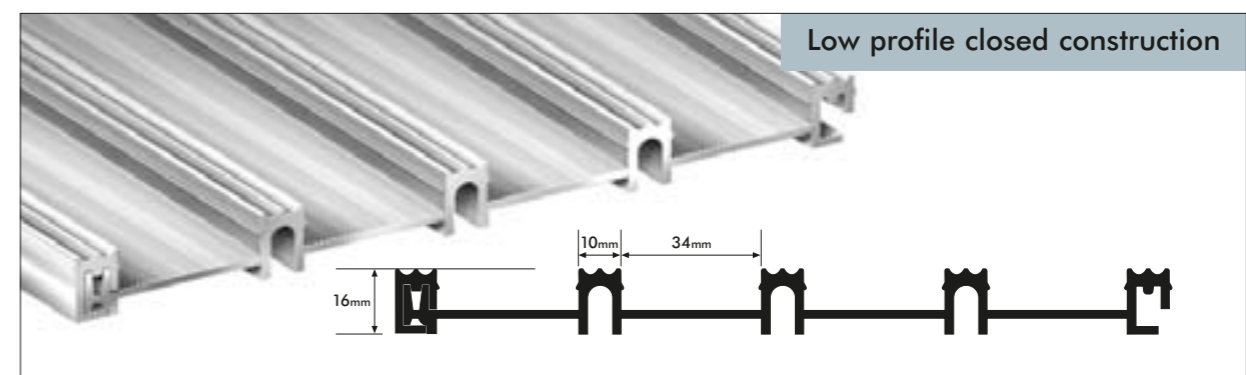
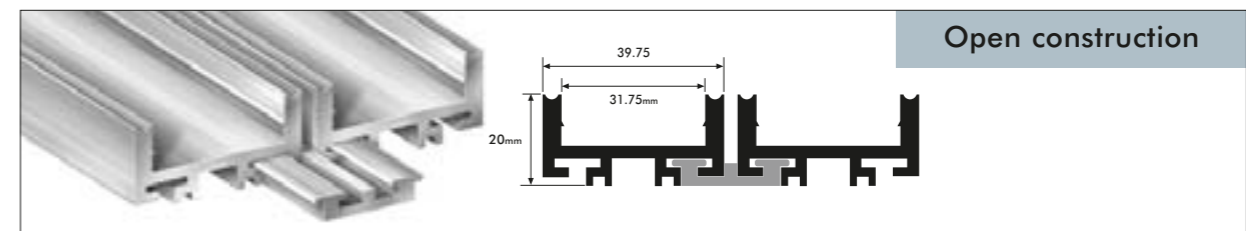
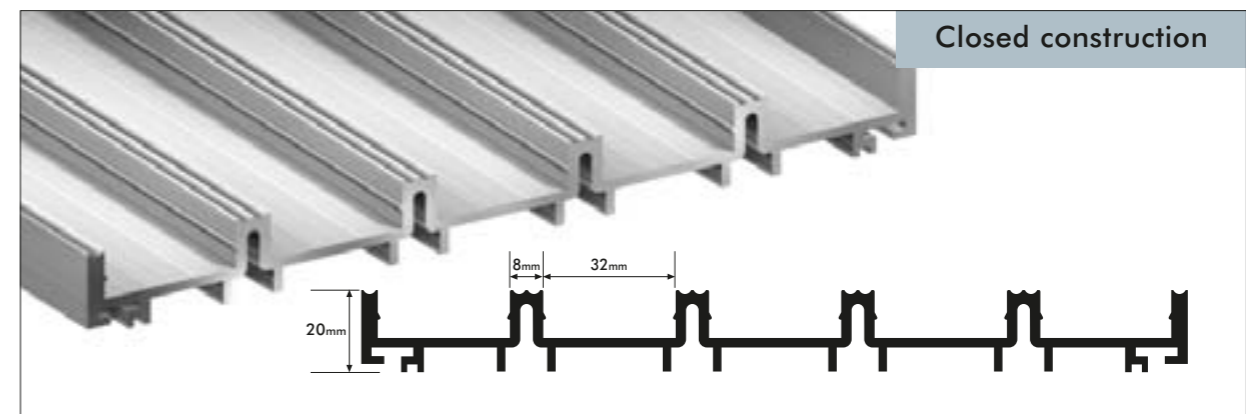
WHEELCHAIR FRIENDLY



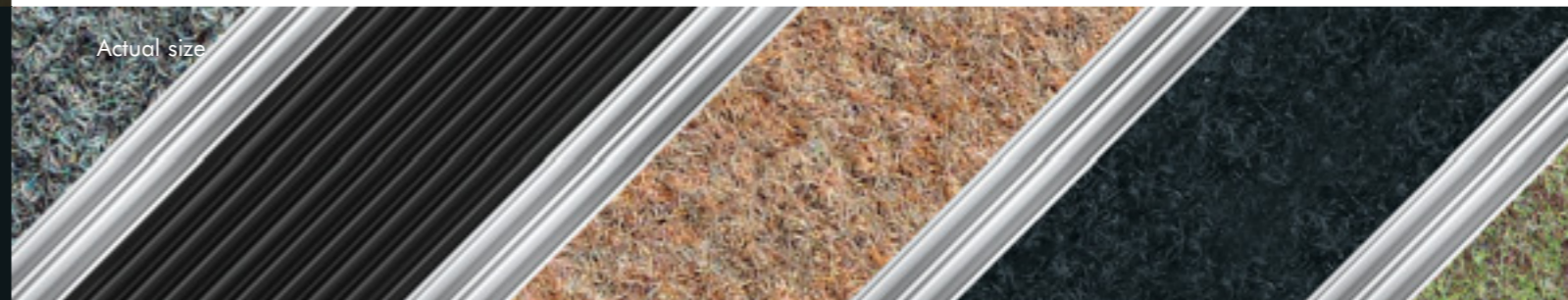
LOGO MATS CAN BE
MANUFACTURED IN THIS RANGE

CONTENTS

INTRODUCTION	page 1
the STREET range	page 4
the BUFFER-ZONE range	page 8
the ALLIGATOR range	page 12
the GRIME range	page 16
GRIME-RAIL FIREFIGHTER	page 22
LOGO MATS	page 24
ENTREX	page 25
MATWELL FRAMES	page 26
FITTING INSTRUCTIONS	page 28
TEMPLATES	page 29
CLEANING AND MAINTENANCE	page 30
GENERAL & ORDERING INFORMATION	page 31
TERMS & CONDITIONS	page 32



High-Street
WorldCom



The Street range of Jaymart Prestigious Aluminium Entrance Matting Systems has long been established as a proven bestseller. Specifically engineered to withstand extra heavy footfall, the Street range continues to be used in airports, shopping centres, supermarkets, department stores, cinemas, universities, race courses and hospitals, and is ideal for applications where performance under the severest of traffic conditions is required.

STREET-BEATER

Street-Beater comprises of strips of 12mm thick fine ribbed rubber inserted into alternating ridged aluminium scraper channel sections.

Street-Beater can be used as either an indoor or an outdoor entrance matting. Available in either closed construction or in heelsafe open construction. Replacement insert strips are available should they be required.

Also available as 18mm Street-Beater low profile closed construction.

COLOURS: Black only.

18mm GAUGE Low Profile

21mm GAUGE Standard - Open or closed construction



HIGH-STREET LOW PROFILE

High-Street Low Profile prestigious entrance matting combines the proven advantages of alternating elegant ridged aluminium scraper sections and channelled replaceable tread insert sections of our exclusive synthetic brush dirt control matting, Ingenius 2004.

High-Street Low Profile retains its incredible shoe cleaning and drying properties even when wet and is remarkably hardwearing.

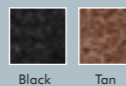
Its polypropylene filaments maintain their multi-angled shoe cleaning action, even when oppressed by the heaviest of traffic. High-Street Low Profile entrance matting is effective outdoors, as well as indoors

20mm GAUGE

COLOURS: Tan, Black & Slate.



Slate



STREET-KING

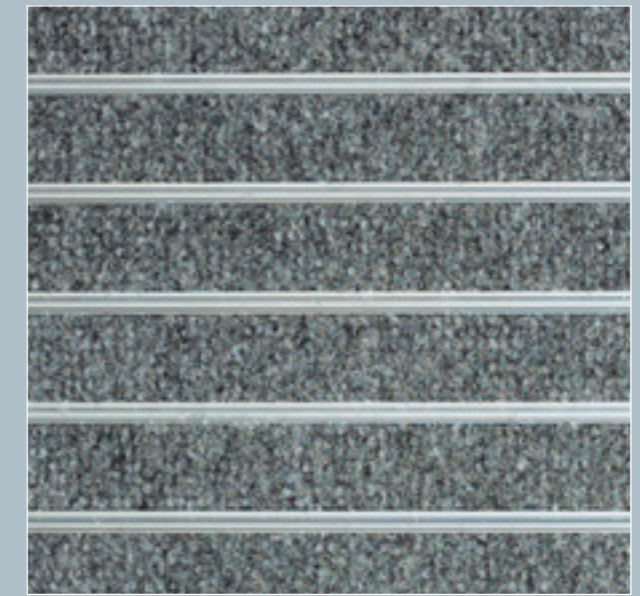
Street-King is an extremely popular, internal/external, heavy duty contract aluminium entrance matting. Combining alternating silver aluminium ridged scraper sections and channelled replaceable 13mm Contract-King super heavyweight fibre-bonded polypropylene specialist dirt-barrier carpeting.

Supplied in closed construction as standard, we recommend the special drainable open construction for external or partially covered areas. The low profile drainable system has a unique construction, incorporating bespoke punched hole and hook sections which promote natural drainage in the wettest of areas.

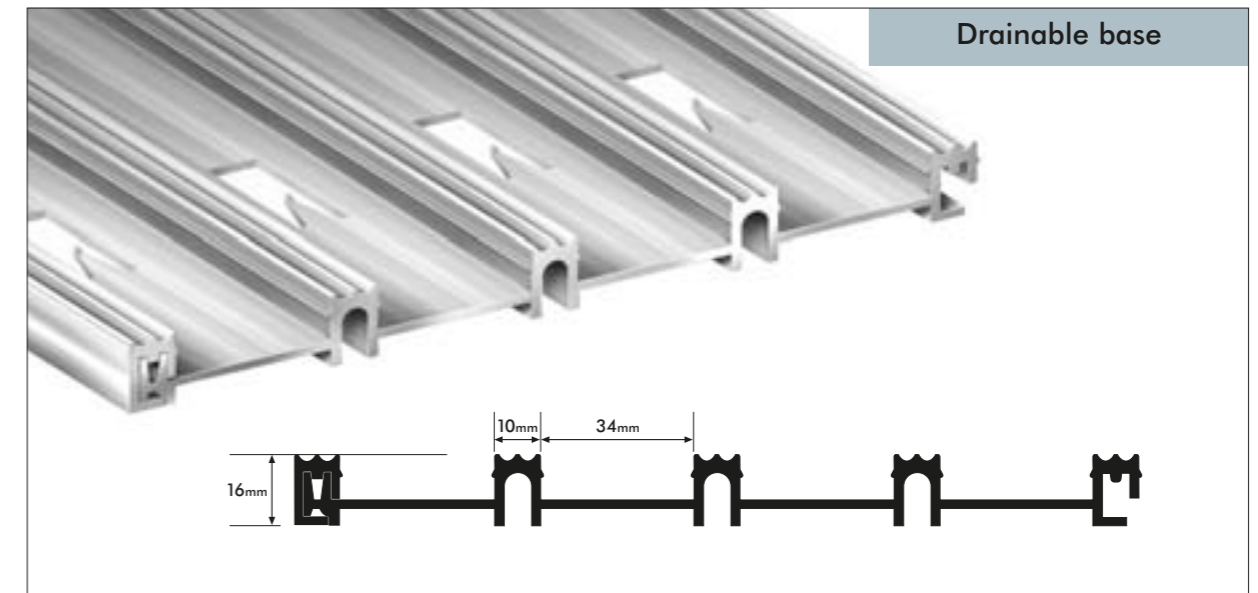
COLOURS: Grey, Black, Anthracite, Brown, Beige, Red, Olive Green, Emerald Green, Royal Blue & Purple.

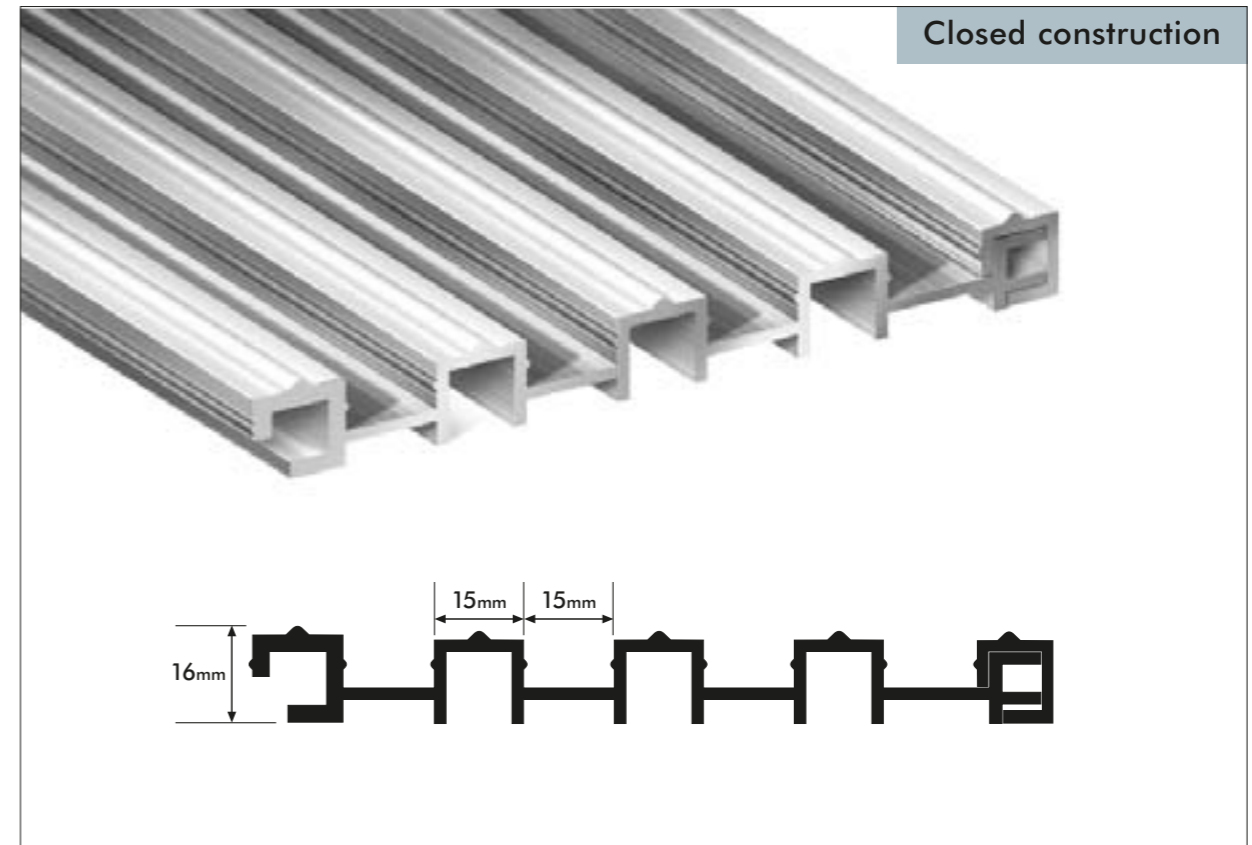
19mm GAUGE Low Profile - Solid or drainable base

22mm GAUGE Standard - Open or closed construction



Grey



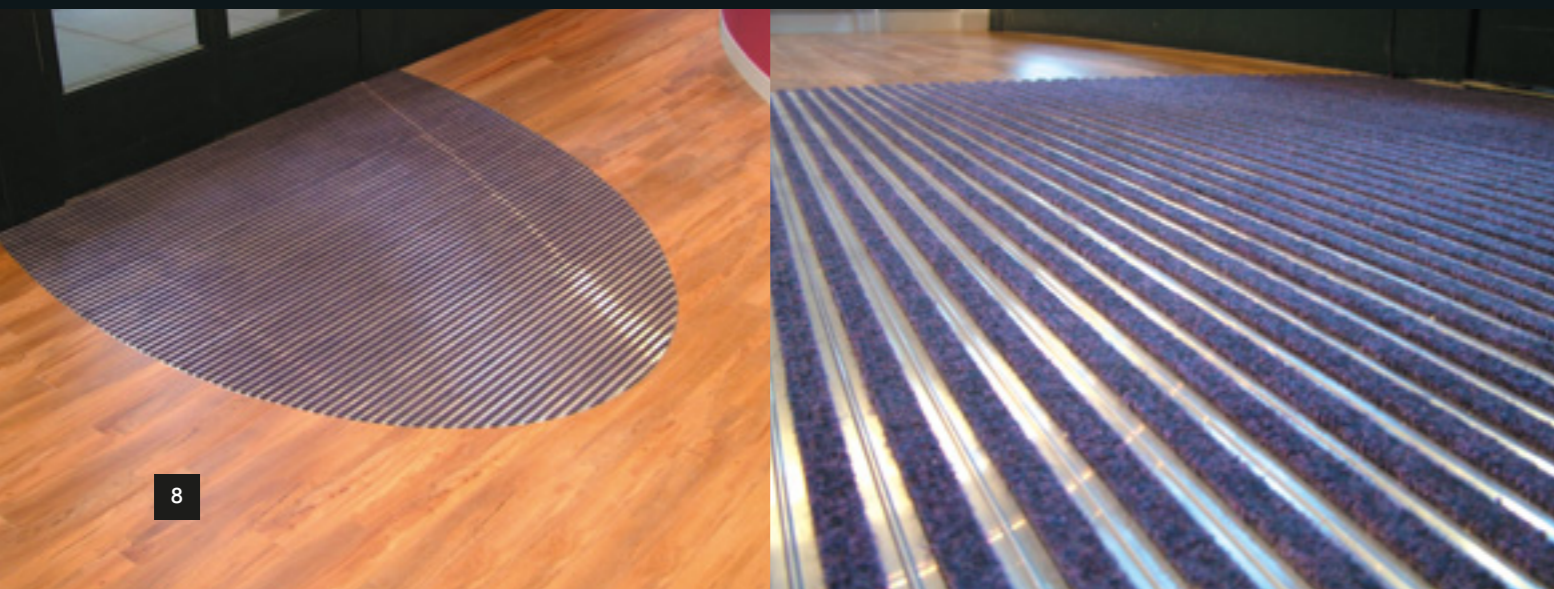


BZ11
Office Angels

BZ14
MAC Cosmetics



Actual size



The Buffer-Zone section is the result of 30 years' experience in the field of preventative maintenance, combining the alternating elegance and strength of ribbed silver aluminium scraper sections and its alternative channelled replaceable strips.

Buffer-Zone has been developed in response to the demand for an economically priced yet highest quality competitive alternative to the long-established market leader.

Buffer-Zone is suitable for high traffic areas, among them very busy high street shops, leisure centres, banks, libraries, museums and football stadiums.

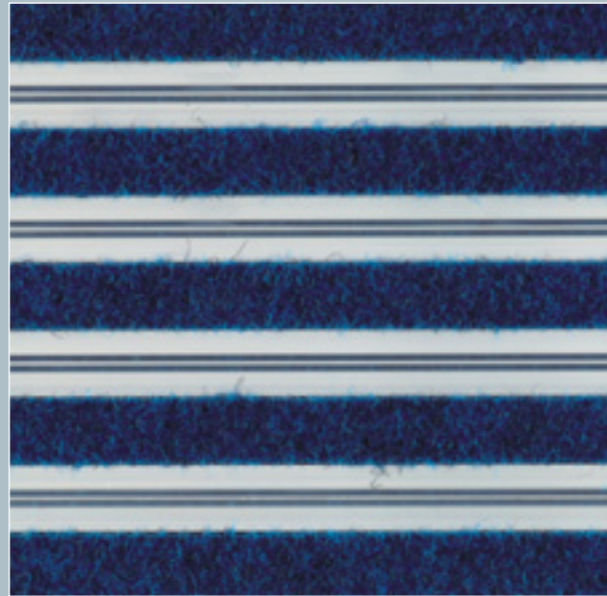
BUFFER-ZONE BZ11

Buffer-Zone BZ11 is a super extra heavy duty entrance matting system designed for internal or external situations. Buffer-Zone BZ11 combines ribbed silver aluminium scraper sections with extra heavy duty fibre bonded polypropylene Contract-King inserts. Available in closed heelsafe construction only.

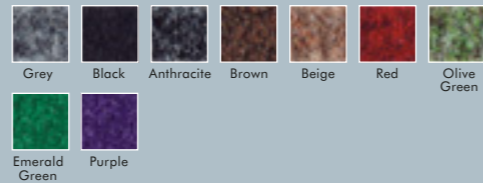
Buffer-Zone BZ11 is suitable for the highest of traffic requirements and is ideal for supermarkets, high street stores, airports, hospitals, etc. where its durability, dirt and moisture removal and smart appearance would be highly advantageous.

20mm
GAUGE

COLOURS: Grey, Black, Anthracite, Brown, Beige, Red, Olive Green, Emerald Green, Royal Blue & Purple.



Royal Blue



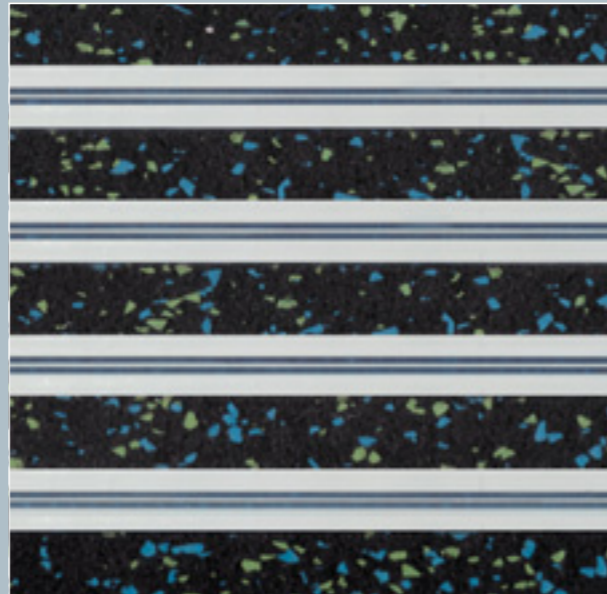
BUFFER-ZONE BZ14

Buffer-Zone BZ14 is a super extra heavy duty entrance matting system designed for internal or external situations. Buffer-Zone combines ribbed silver aluminium scraper sections with extra heavy duty rubber. Available in closed heelsafe construction only.

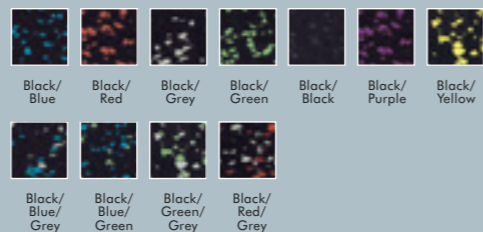
Buffer-Zone BZ14 is suitable for the highest of traffic requirements and is ideal for airports, railway stations and department stores where its exceptional durability, shoe cleaning action and colourful and elegant appearance are top spec requirements.

17mm
GAUGE

COLOURS: Black/Blue, Black/Red, Black/Grey, Black/Green, Black/Black, Black/Purple, Black/Yellow, Black/Blue/Grey, Black/Blue/Green, Black/Green/Grey & Black/Red/Grey



Black/Blue/Green

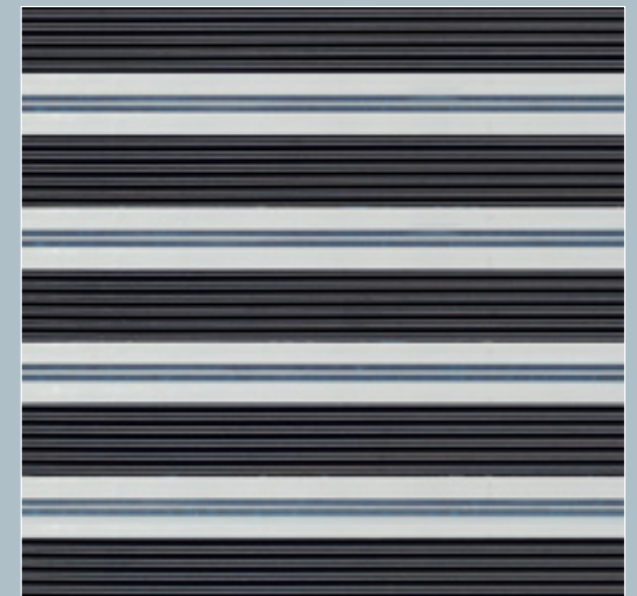


BUFFER-ZONE BZ15

Buffer-Zone BZ15 is a heavy duty entrance mat designed for internal or external use. It comprises fine ribbed rubber strips with ridged aluminium scraper sections. Available in closed construction only. BZ15 is designed for heavy traffic situations and is aesthetically suited to blend with high-tech entrances.

19mm
GAUGE

COLOURS: Black only.



Black



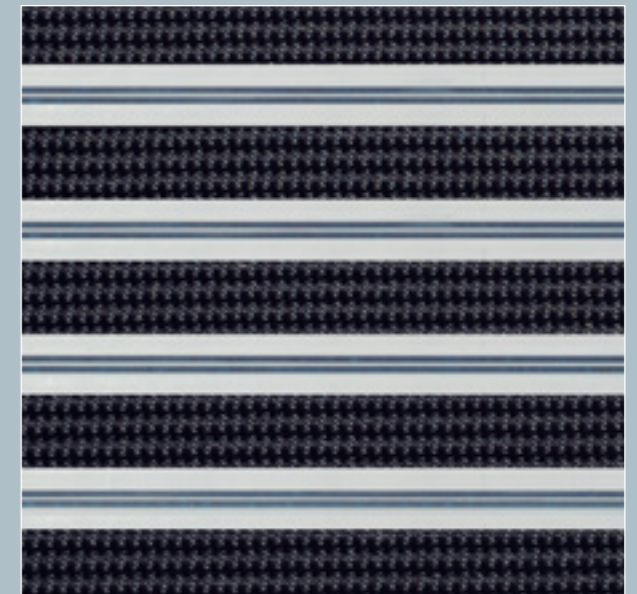
BUFFER-ZONE BZ16

Buffer-Zone BZ16 is an exceptionally heavy duty entrance matting system for the most demanding internal and external locations. Buffer-Zone BZ16 is constructed from alternating strips of ribbed silver aluminium scraper sections and fibre reinforced micro criss-cross rubber strips.

Buffer-Zone BZ16 is designed for all extra heavy duty entrance areas such as airports, shopping centres, railway stations, bus stations, etc.

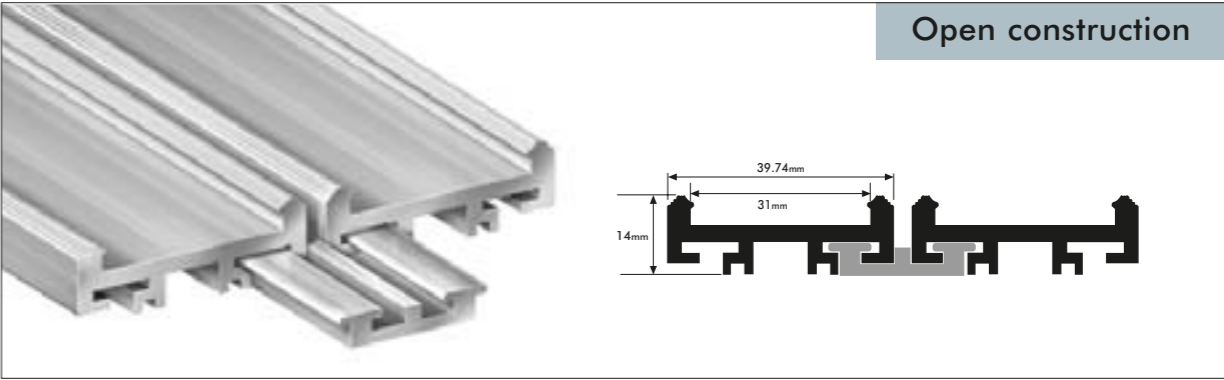
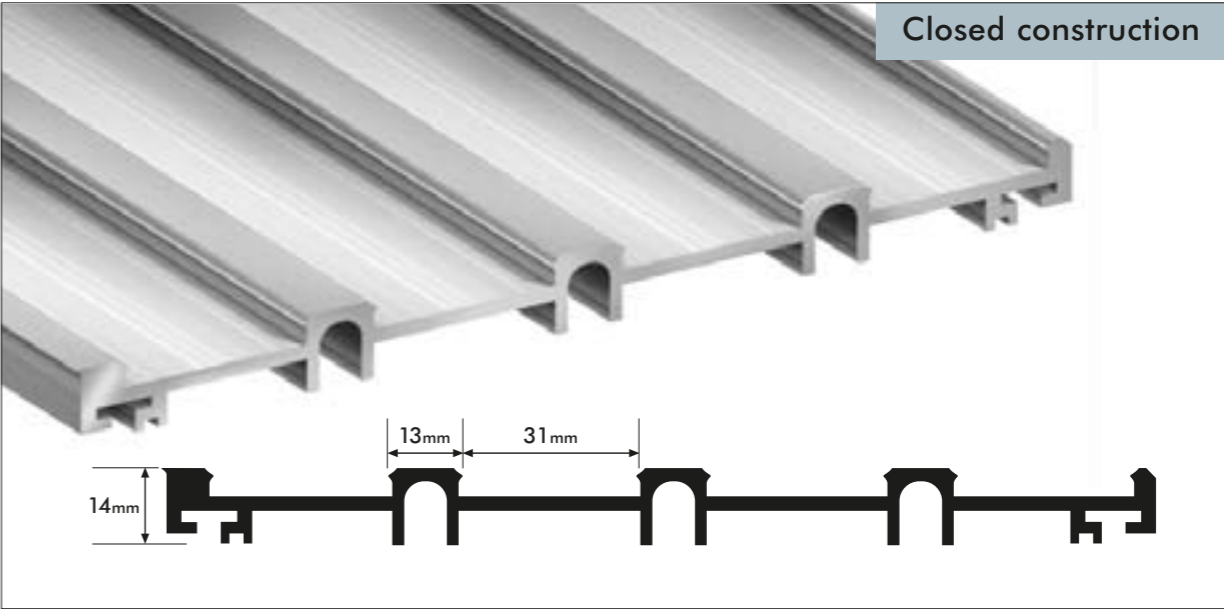
17mm
GAUGE

COLOURS: Black only.



Black

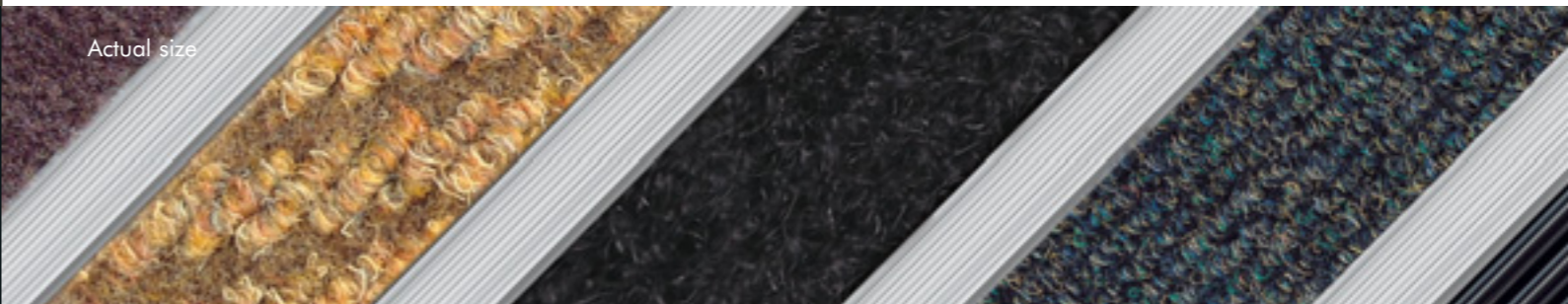




Alligator-Interzone
Sentinel Point



Alligator-Forefront
Princess Alexandra Hospital



The Alligator system aluminium entrance mattings are the latest addition to the Jaymart range of prestige protection matting. Alligator provides a more aesthetic approach to entrance matting, combining colourful, texturally decorative yet consistently effective insert materials with aluminium scraper sections.

The Alligator systems are not only designed to keep dirt and grime outside, but also to simultaneously enhance the appearance of the entrances of the buildings they protect.

The Alligator range's applications include schools, universities, theatres, surgeries, art galleries and museums.

ALLIGATOR-FOREFRONT

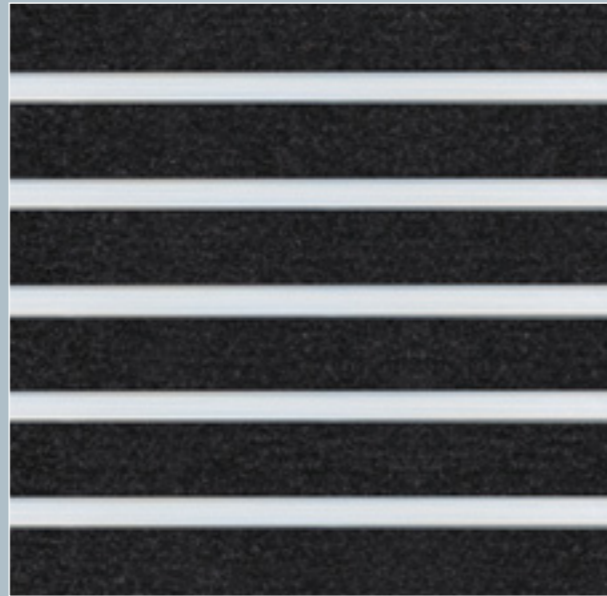
Alligator-Forefront is a made-to-measure, superbly effective, hardwearing entrance matting suitable for all commercial and public buildings, shopping centres, etc.

It combines the proven advantages of alternating aluminium scraper sections with replaceable exclusive extra heavy duty polypropylene brush/dirt control matting.

Available in a choice of popular colourfast colours and both heelsafe open (recommended for outdoor or excessively wet areas) and standard closed constructions.

20mm
GAUGE

COLOURS: Tan, Black, Blue, Red, Grey, Green, Slate, Brown and Yellow.



Black



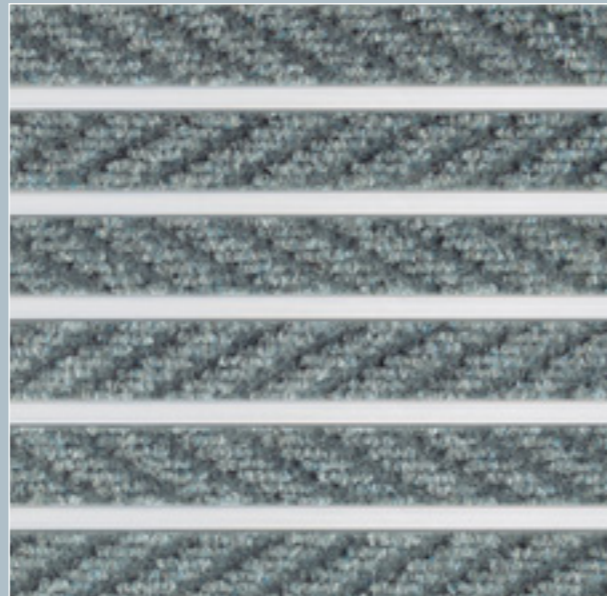
ALLIGATOR-INTERZONE

Multi-directional chevron ribbed 100% polypropylene barrier carpeting/silver aluminium entrance matting.

Alligator-Interzone is a made-to-measure supremely attractive, effective and hardwearing entrance matting. Combining the alternating advantages of channelled replaceable strips of beautiful Zigazaga 2000, proven superior quality multi-directional chevron ribbed polypropylene barrier carpeting and elegant ribbed silver aluminium scraper sections.

17mm
GAUGE

COLOURS: Raw Umber (80), Ginger Orange (86), Burnt Brick (85), Honey Yellow (55), Ancient Red (40), Forest Green (29), Raw Jeans (34), Goblin Grey (70), Night Shadow (50).



Goblin Grey

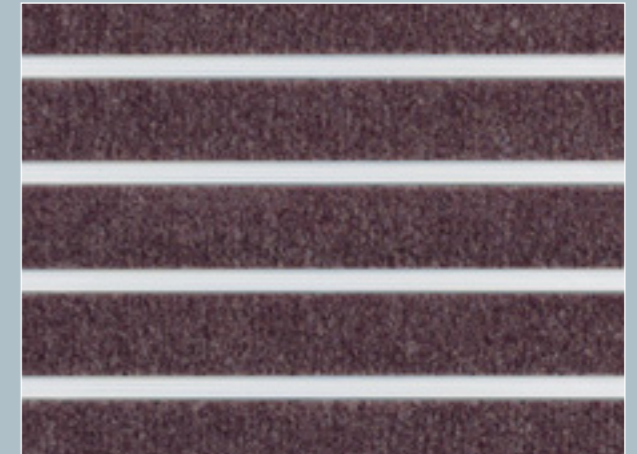


ALLIGATOR-RAINCHECK

Combines the many superior soil containment and colour option properties of our magnificent new Raincheck Super heavy contract nylon-on-vinyl clean-zone barrier matting/foyer carpeting, with alternating prestigious elegant and extra hardwearing silver aluminium ridged interspacer/scraper sections. The Alligator-Raincheck is available in a heelsafe choice of standard closed or open construction types. Suitable for wheeled traffic.

17.5mm
GAUGE

COLOURS: Milk Chocolate Brown (82), Honey (96), Terracotta (87), Burgundy (40), Hunter Green (20), Navy Blue (30), Solid Black (50), Charcoal (70) & Silver Grey (73).



Charcoal



ALLIGATOR-TRACK

Alligator-Track combines micro-ribbed aluminium channel sections with fine fluted rubber inserts. Principal applications are for a primary matting system to scrape mud, dirt and other debris from shoe soles in most public and commercial buildings. Typical applications are for railway and underground stations, bus stations, shopping centres and amusement arcades. Available in closed or open (heelsafe) constructions.

15mm approx
GAUGE

COLOURS: Black only



ALLIGATOR-WARCORD

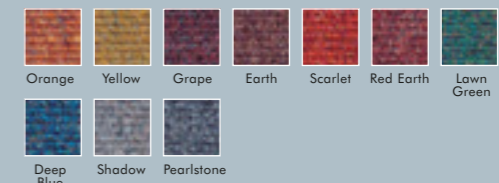
Alligator-Warcord is a heavy duty entrance matting system designed for internal and sheltered external medium/high traffic situations. Combining micro-ribbed cord extra heavy duty polypropylene matting and alternating ridged silver aluminium scraper sections. Available in either heelsafe open construction or standard closed construction. Alligator-Warcord is ideal for medium traffic applications such as schools, shops, libraries and commercial buildings, etc., where effective dirt and moisture removal is essential. Suitable for wheeled traffic.

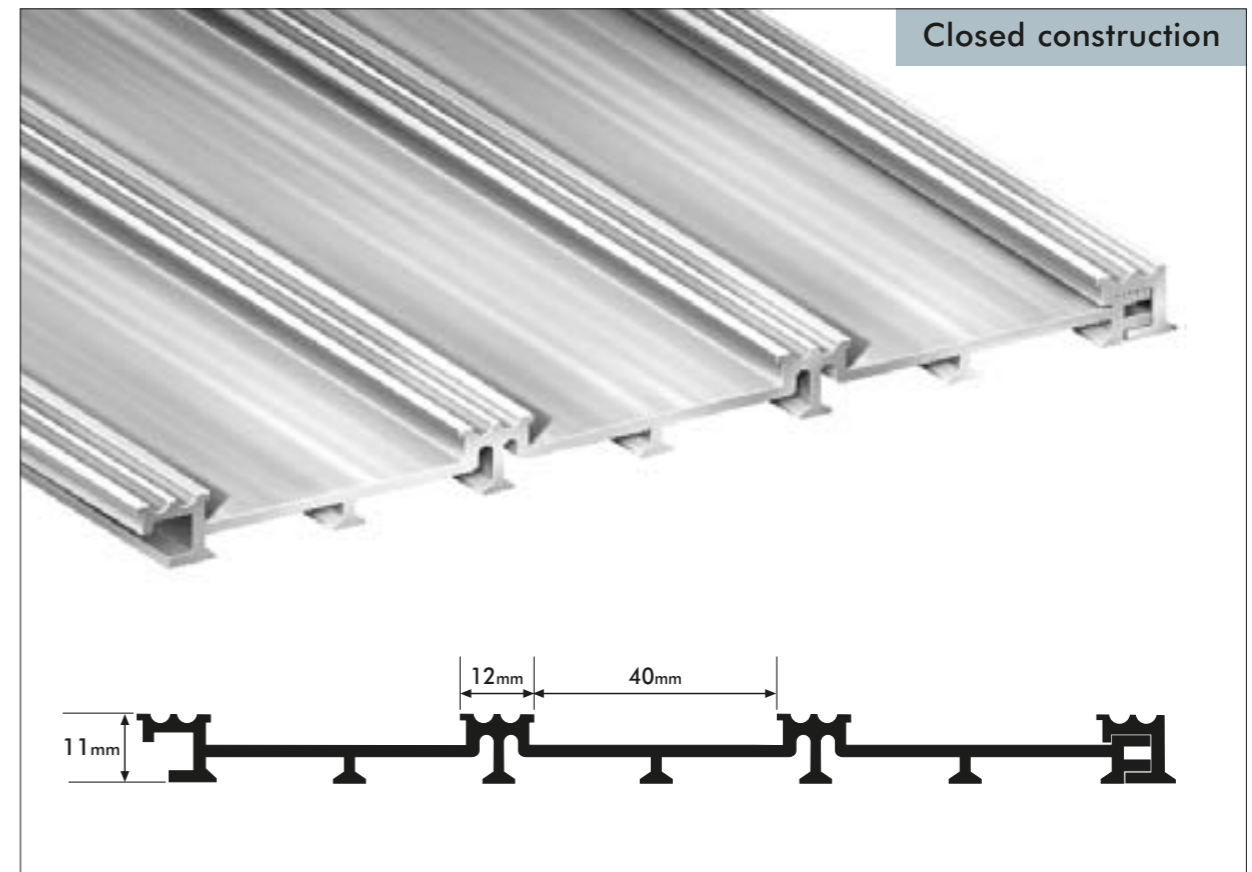
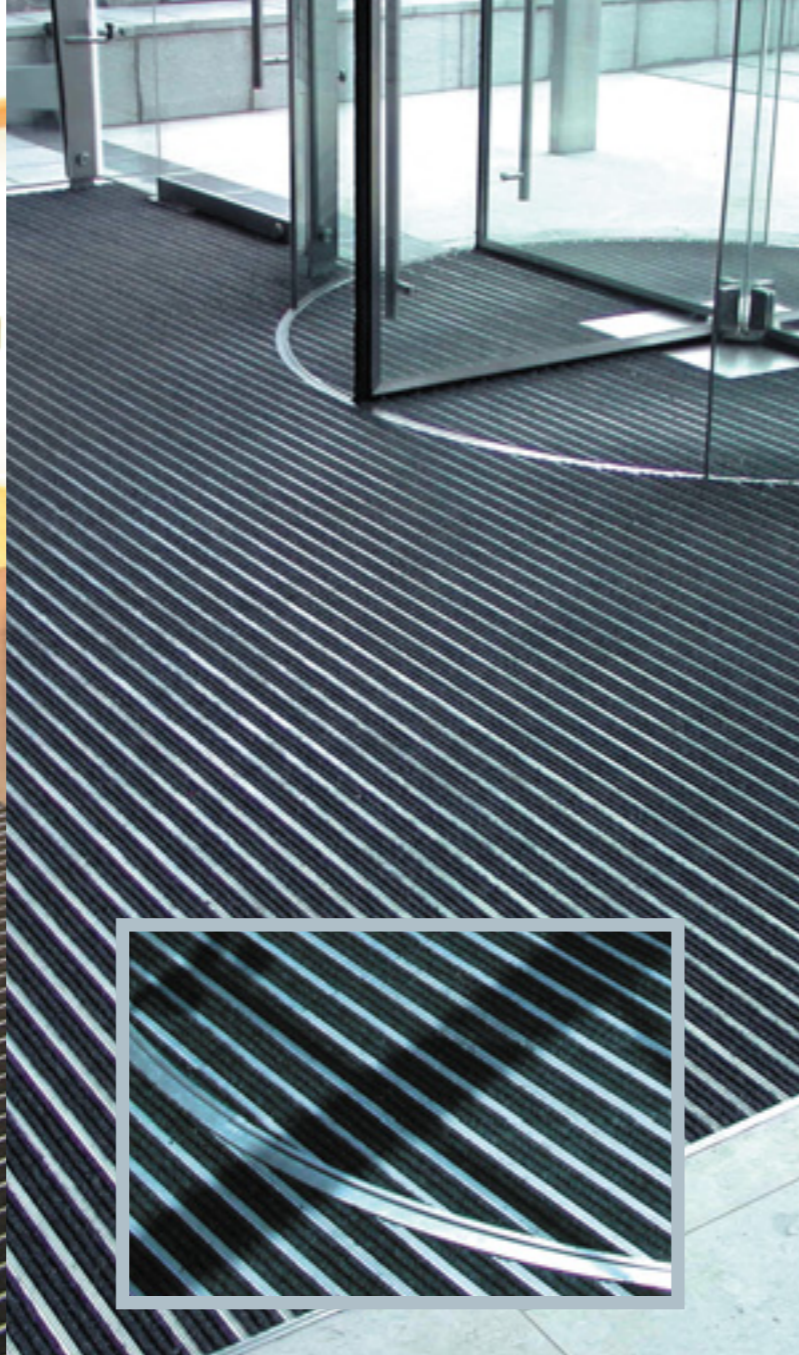
15mm approx
GAUGE

COLOURS: Orange (99), Yellow (98), Grape (81- Purple Red), Earth (89- Brown), Scarlet (84), Red Earth (06), Lawn Green (22), Majolica (04- Blue Green), Deep Blue (83), Shadow (69- Light Grey) and Pearlstone (17- Anthracite).



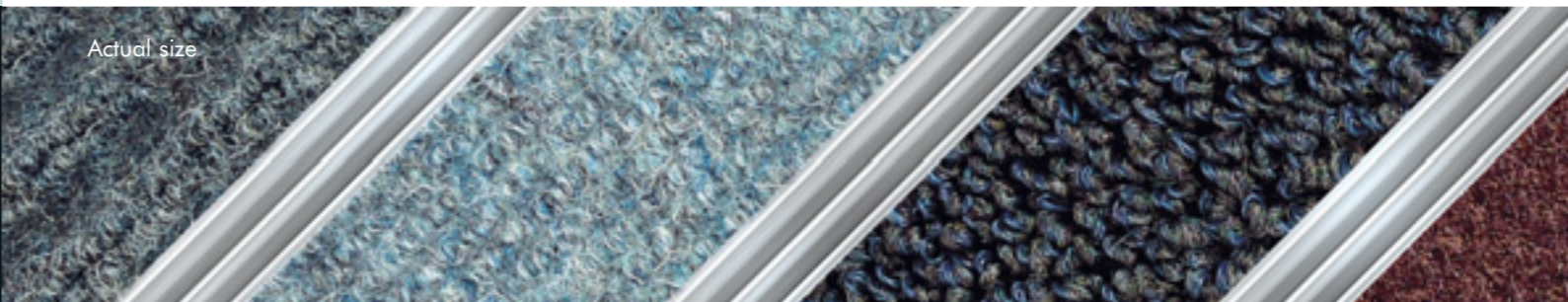
Majolica





Closed construction

<p>Grime-Grabber Hill & Knowlton</p>	<p>Grime-Stopper Hughes Mercedes</p>
<p>Grime-Grabber Monmouth School</p>	



Jaymart's Grime range of prestigious entrance matting systems has proved to be your matting of choice; not only due to its smart appearance, but also due to its effectiveness in removing foot-borne dirt and moisture, significantly reducing damage and maintenance to internal floor coverings. Form and function.

The Grime range's reduced gauge makes it an ideal choice when using an existing shallow recess, for example when upgrading traditional coir mats, or when surface-mounting using ramped sections.

Grime range applications include commercial premises, office buildings, high street stores, sports and leisure centres, libraries, museums and schools.

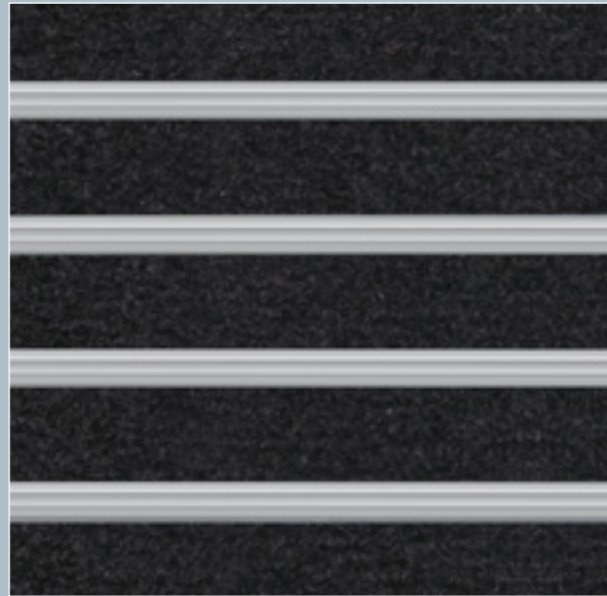
GRIME - GRABBER

Grime-Grabber is a medium/heavy duty entrance mat designed for internal use. It combines Ingenius 2004 heavy duty polypropylene brush inserts with ridged silver aluminium scraper sections. Available in heelsafe closed construction only. Grime-Grabber is designed for medium traffic applications, i.e. schools, libraries, restaurants, hotels, theatres, offices, etc.

The superb dirt and moisture removal properties of Grime-Grabber will reduce cleaning and maintenance costs and prolong the life and appearance of internal floor coverings.

17mm
GAUGE

COLOURS: Tan, Black, Blue, Red, Grey, Green, Slate, Brown and Yellow.



Black



Tan Blue Red Grey Green Slate Brown Yellow



GRIME - INTERCLEAN

Grime-Interclean combines the excellent moisture absorbency and dirt removing properties of heavy duty high twist nylon piled Lustre twist clean zone matting and ridged silver aluminium scraper sections. Available in closed construction only.

Grime-Interclean is designed for use in medium/heavy traffic applications such as schools, libraries, hotels, restaurants, shops, etc.

13mm
GAUGE

COLOURS: Black, Charcoal Grey, Charcoal Black, Indigo Blue, Green/Black, Regal Red, Burgundy, Walnut, Slate, Royal Blue, Bright Red, Kelly Green & Silver.



Dove Grey



Black Charcoal Grey Charcoal Black Indigo Blue Green/Black Regal Red Burgundy Walnut Slate Royal Blue Bright Red Kelly Green Silver

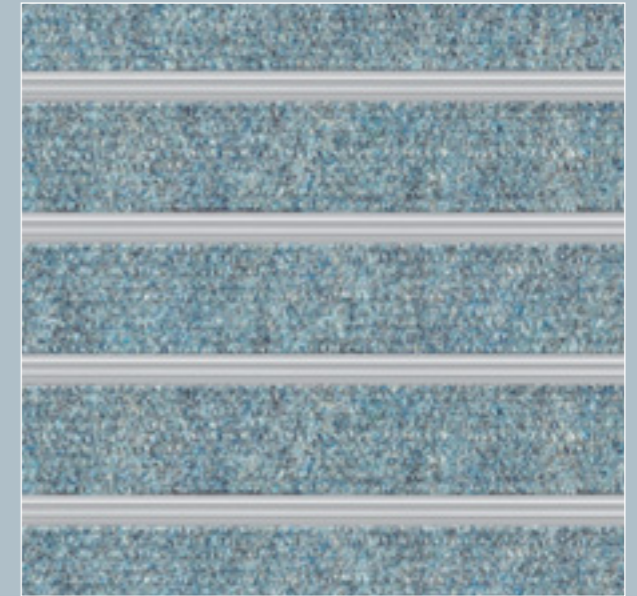


GRIME - WARCORD

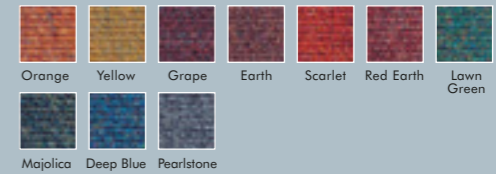
Grime-Warcord combines replaceable channelled strips of our excellent micro-ribbed cord extra heavy duty polypropylene foyer/carpeting, in a selection of eleven stock colours, and alternating prestigious silver ridged aluminium scraper interspacer sections. Grime-Warcord is available in heelsafe closed construction only.

12.5mm
GAUGE

COLOURS: Orange (99), Yellow (98), Grape (81- Purple Red), Earth (89- Brown), Scarlet (84), Red Earth (06), Lawn Green (22), Majolica (04- Blue Green), Deep Blue (83), Shadow (69- Light Grey) & Pearlstone (17- Anthracite).



Shadow



Orange Yellow Grape Earth Scarlet Red Earth Lawn Green Majolica Deep Blue Pearlstone

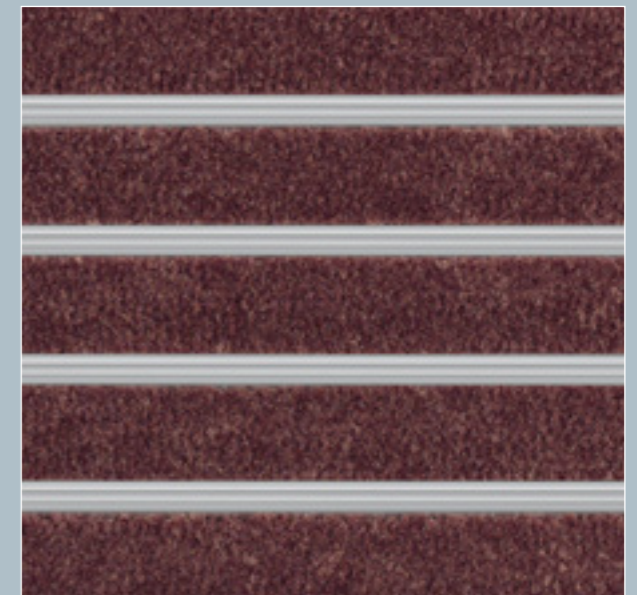


GRIME - RAINCHECK

The Grime-Raincheck combines all the many superior soil-containment and colour option properties of our magnificent new Raincheck super heavy contract nylon-on-vinyl clean-zone barrier matting/foyer carpeting plus alternating prestigious elegant and extra hardwearing silver aluminium ridged interspacer/scraper sections. The Grime-Raincheck is available in a heelsafe closed construction.

15mm
GAUGE

COLOURS: Milk Chocolate Brown (82), Honey (96), Terracotta (87), Burgundy (40), Hunter Green (20), Navy Blue (30), Solid Black (50), Charcoal (70) & Silver Grey (73).



Milk Chocolate Brown



Silver Grey



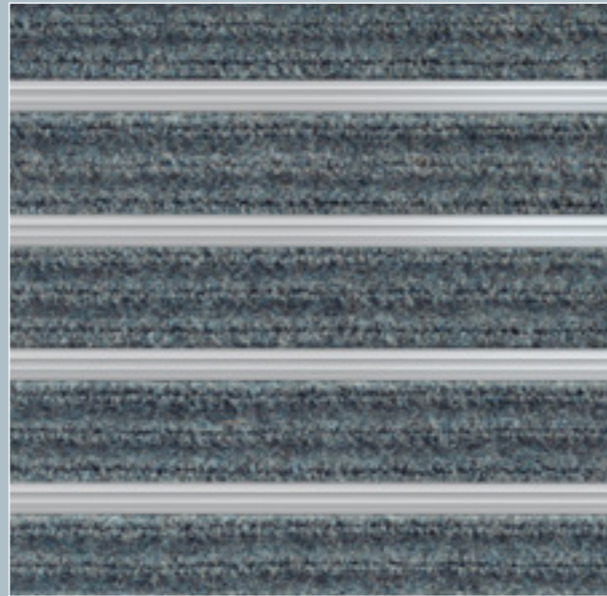
GRIME - STOPPER

Grime-Stopper combines the hardwearing, colourful, drying and scraping properties of our Polyrib ribbed polypropylene clean-zone carpeting with the added advantage of ridged aluminium interspacer/scrapper sections.

If the colour scheme should change, or the insert strips become badly soiled or worn, replacement insert strips can be supplied at a fraction of the original cost.

16mm
GAUGE

COLOURS: Steel Blue (36), Anthracite (07), Lever (19), Brown/White (12), Light Blue (13), Blue/Grey (35), Turquoise (42), Silver/Grey (51), Forest Green (29), Plain Burgundy (61), Blue (10), Green (004), Red (41), Graphite (052), Forest (76), Jeans Blue(39), Royal Blue(34) & Safari (68).



Graphite



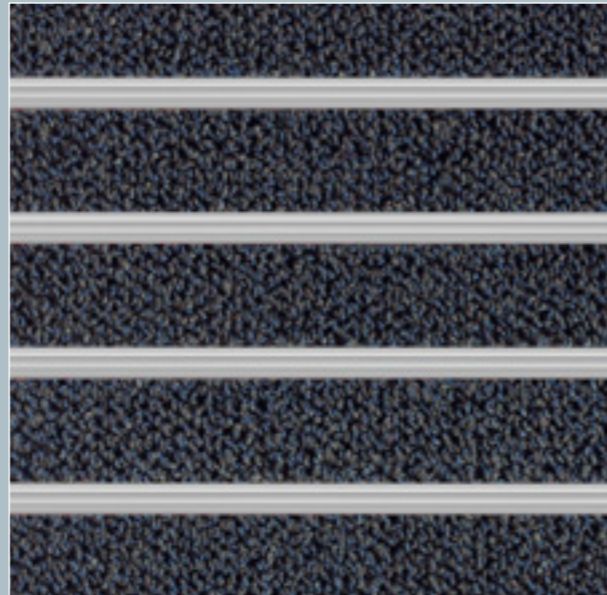
GRIME-TRAFFIC-MARSHALL

Advanced protective aluminium/polypropylene Vebe Traffic entrance matting system for commercial & public buildings – 14.5mm thick.

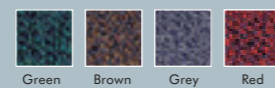
Traffic-Marshall aluminium entrance matting provides remarkable dirt removal and concealment plus a superb prestigious appearance. Combining alternating elegant anti-slip ribbed silver aluminium section and channelled replaceable strips of Vebe Traffic scraper coiled polypropylene barrier-zone carpeting; Traffic-Marshall will achieve maintenance cost savings, paying for itself a very short time after installation. The closed castor and heelsafe construction also permits easy daily surface cleaning by standard commercial vacuuming. The excellent colour range co-ordinates with all interior design schemes and floor coverings.

14.5mm
GAUGE

COLOURS: (All colours have blue fleck)
Anthracite, Green, Brown, Grey, Red.



Anthracite

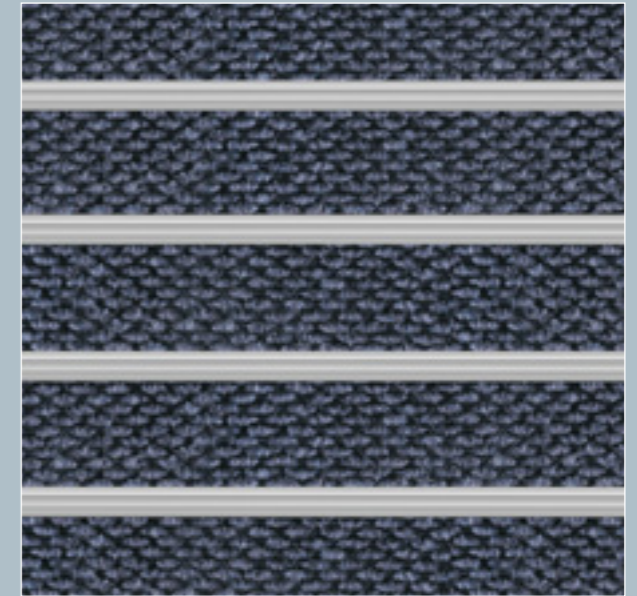


GRIME-TRAPPER

Grime-Trapper is the latest addition to the Grime range, combining interspaced aluminium scraper sections with attractive multi-directional textured, UV and dimensionally stable, polypropylene insert material. Grime-Trapper offers an aesthetically pleasing solution to your internal floor-covering protection problems. Available in a vibrant selection of 100% solution dyed colours. Co-ordinating foyer carpeting is also available.

16mm
GAUGE

COLOURS: Bamboo, Sand, Wheat, Almond Beige, Honey Yellow, Raw Umber, Ginger Orange, Burnt Brick, Ancient Red, Silver Pine, Bouquet Green, Forest Green, Forest Night, Raw Jeans, Gobelin Grey and Night Shadow.



Gobelin Grey

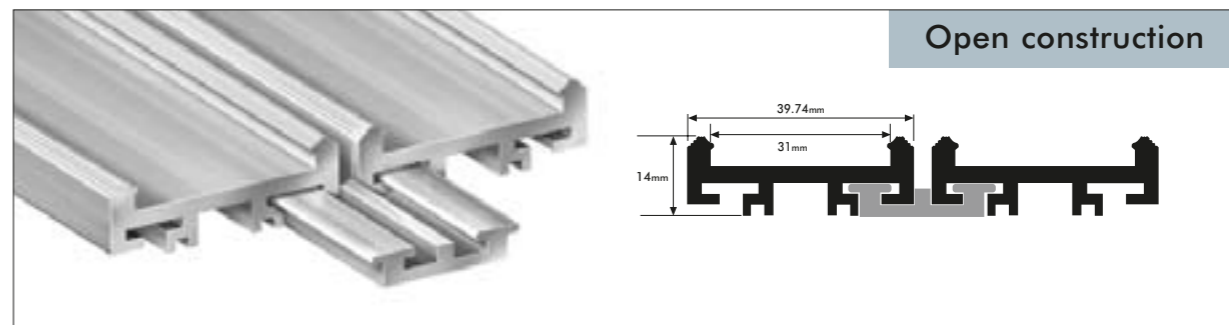
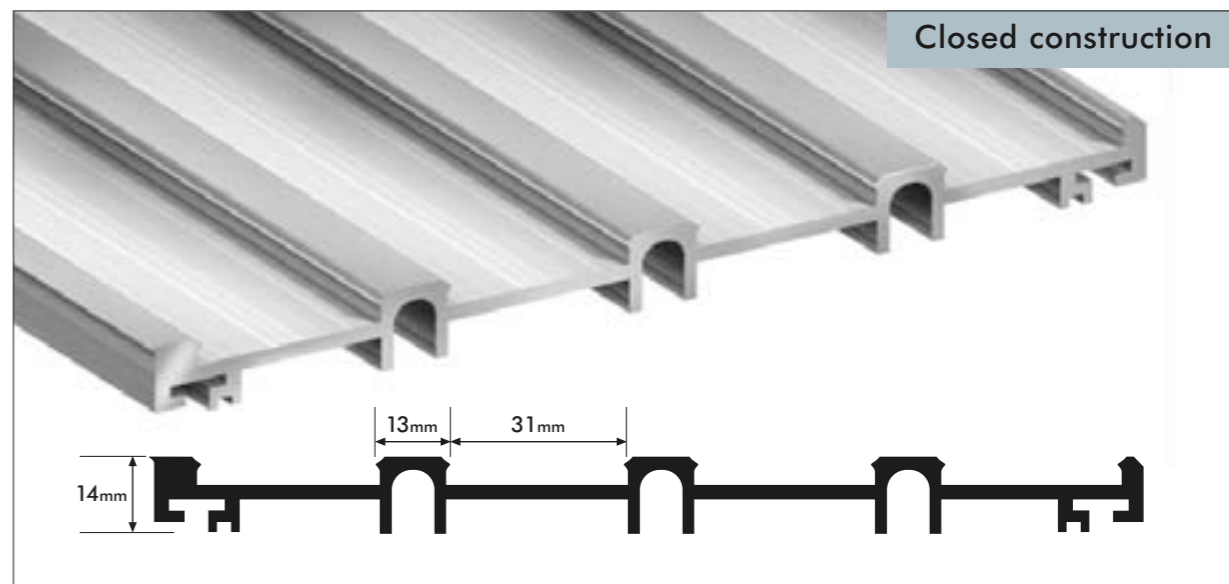




Grime-Rail Firefighter
Kilburn Station

Actual size

specialist GRIME-RAIL FIREFIGHTER



GRIME-RAIL FIREFIGHTER

Specialist fire-resistant low smoke emission Vamac 7300 ribbed rubber/aluminium entrance matting. Open or closed construction. Particularly suitable where fire safety is of critical importance, e.g. public transport applications, etc.

Vamac 7300 is the specified entrance matting insert for all London Underground Section 12 stations.

15mm GAUGE

COLOURS: Black only.

See also Alligator-Track for entrances where low toxic smoke emission is not a vital criteria.



VAMAC 7300 - Low Toxic Smoke Emission Rubber Matting

PHYSICAL AND MECHANICAL TEST	TEST STANDARD	UNIT OF MEASUREMENT	PROPERTIES 7300
Specific Gravity	BS 903: Part a1	g/cm ²	1.73 + 0.02
Hardness	BS 903: Part A26	I.R.H.D	88 +3
Tension Strength	BS 903: Part A2	MPa	8 min
Abrasion Resistance	ASTM D406084	mm ⁻³	250
Compression Set	BS 1711: AppD	%	5
Dimensional Stability	BS 3261: Part 1	%	0.1 max
Flammability	BS 476: Part 6 BS 476: Part 7	Rated Class	Zero One
Temperature Index	BS 6853 App A	°C	>350
Smoke Emission BS 6853	App B	A°	<200
Toxicity Index	NES 713 Issue 3	Tm	<1.0



◀ Grime-Grabber logo
Park Plaza, Cardiff



▲ Street-King logo
Cannock Market Hall

Logo mats are the perfect way for your company to project a positive first impression, whilst protecting your internal floor coverings from ingressed dirt and moisture. Jaymart utilises the latest computer technology to reproduce your logo, custom-cutting accurate inlays to produce exceptional results.

Choose from a variety of colourful material insert options. When combined with Jaymart aluminium entrance matting systems, logo mats provide an excellent choice for heavily trafficked retail outlets, office buildings and other applications where promotion and reinforcement of corporate identity and brand name is of importance.

Please contact our sales department for help making your logo mat decision.



Logo mats are available in the following:

- STREET-KING Page 7
- ALLIGATOR-FOREFRONT Page 14
- ALLIGATOR-RAINCHECK Page 15
- GRIME-INTERCLEAN & GRIME-GRABBER Page 18
- GRIME-WARCORD & GRIME-RAINCHECK Page 19

ENTREX

Entrex is Jaymart's latest development in high technology entrance matting design. Specially engineered to meet today's demanding requirements for effective and flexible matting solutions, the closely moulded spike design is also visually appealing. Supplied in modular interlocking tile format, either plain spiked tiles for external use or with carpet inserts for internal installation. Entrex has been designed to create a system of internal and external barrier matting to trap and hold shoe-borne dirt before it reaches the adjacent flooring.

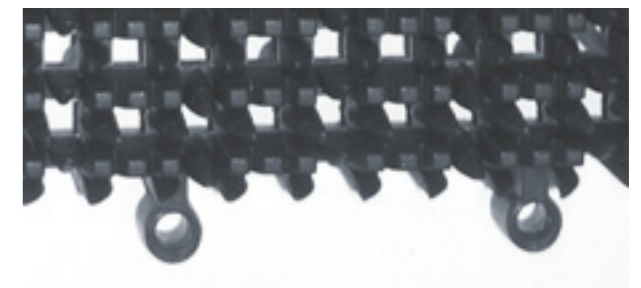
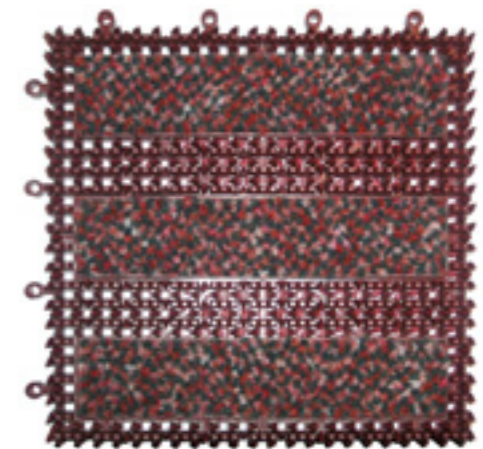
Entrex is manufactured using a specially developed polyethylene formula for supreme performance and durability. Available in 2 formats, in interlocking open-grid tiles. For external use the Entrex Spike has closely moulded spikes which ensure the highest scraping effect on the soles of the shoes; efficiently keeping dirt and grime underneath the tiles, out of sight. The spike design ensures that minimal dirt remains on the surface of the matting, optimising effectiveness.

With the addition of 100% polyamide high performance barrier carpeting inserts, Entrex Carpet offers a complete solution as a scrape and dry matting system. The carpet inserts absorb moisture from shoe soles, whilst the spikes scrape off dirt and other debris. Entrex Carpet is fully interchangeable with Entrex Spike, which allows virtually any combination of dirt and moisture control.

Entrex Spike and Entrex Carpet are supplied in interlocking tiles size 200mm x 200mm, with a thickness of 22mm. Ramped edges and corners are also available. Entrex matting should, ideally, be installed into a recessed matwell frame. The tiles are quick and easy to lay with a minimum of wastage.

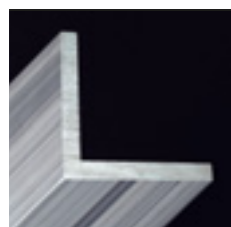
22mm GAUGE

COLOURS: Base colours are Grey, Green, & Burgundy. Entrex Carpet incorporates Grey, Green & Burgundy polyamide carpeting.

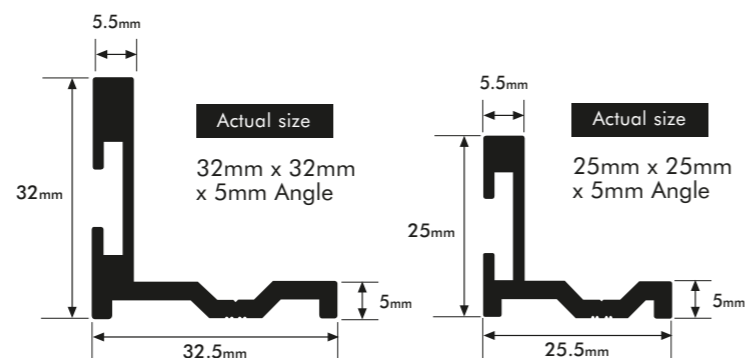
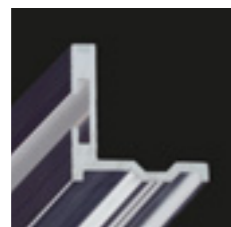


ALUMINIUM MATWELL FRAMES

All our frames are tailor made to your exact requirements. Frames are supplied in kit form with mitred corners, corner brackets and pre-drilled holes for screw-fixing or with lugs for screed-fixing. We will be pleased to quote for specially shaped frames, e.g. circular, semi-circular, irregular dimensioned, etc.



50mm x 50mm x 6mm Angle
25mm x 25mm x 3mm Angle



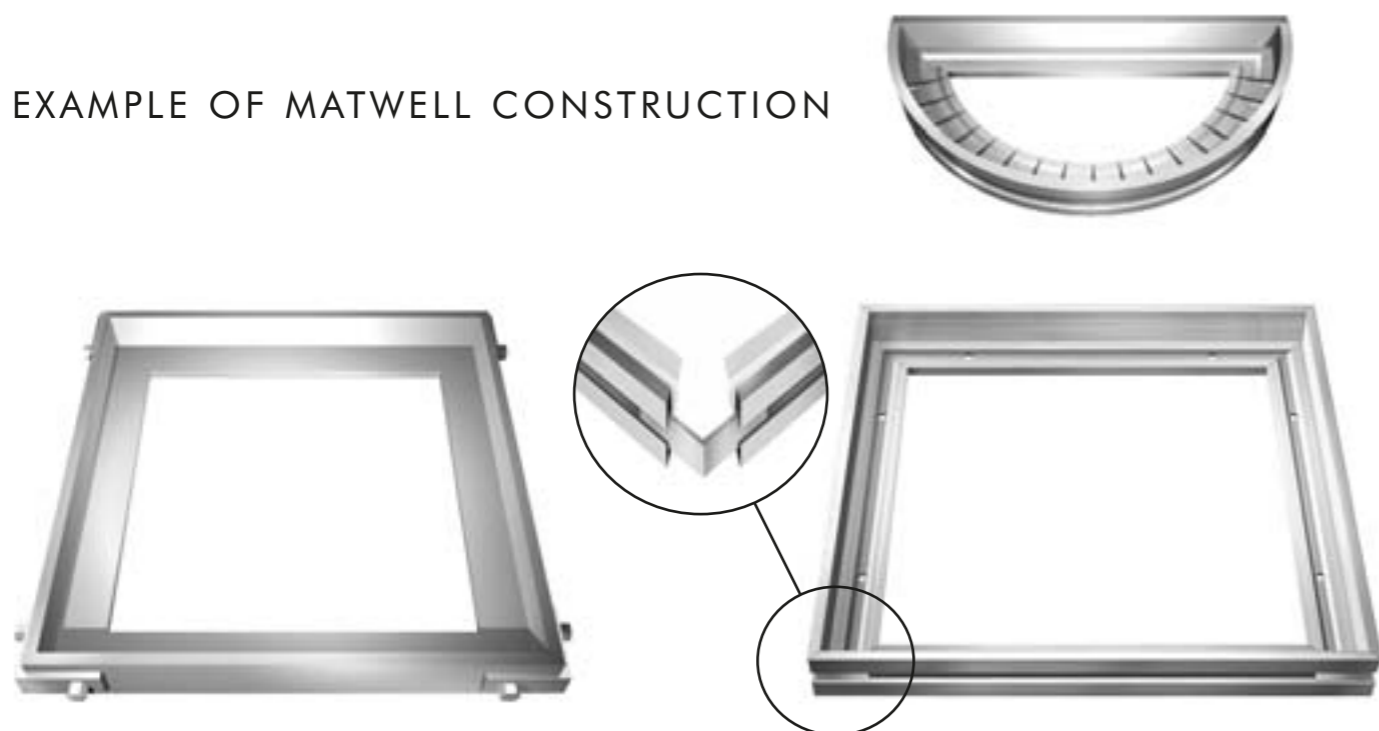
BRASS MATWELL FRAMES

For that extra prestigious look to the entrance foyer a brass matwell frame is the ideal answer.

38mm x 38mm x 6mm 32mm x 32mm x 5mm 25mm x 25mm x 3mm



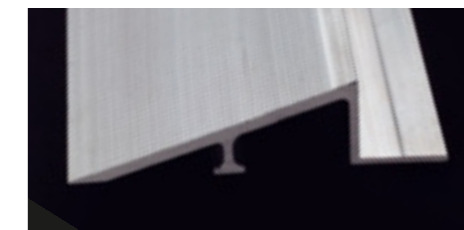
EXAMPLE OF MATWELL CONSTRUCTION



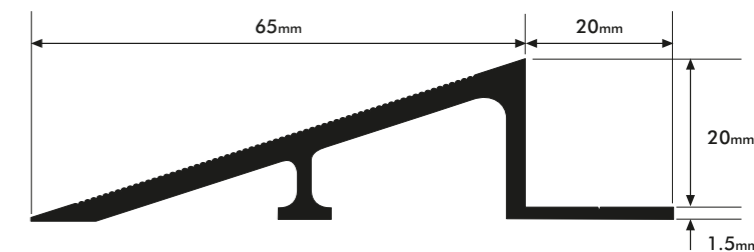
BEVALU II ALUMINIUM RAMPING

Bevalu II is a surface mounted aluminium well frame with anti-trip bevelled edging for those situations where sunken well recesses are impossible or impractical. Bevalu II is supplied either in lengths or in mitred and drilled format for floor fixing with countersunk screws. Fixing is through the flange which is hidden when the mat is in place. Bevalu II is suitable for a wide range of entrance mats, e.g. PVC backed coir, Bigfoot, Street range, Picador, etc.

PROFILE SIZE:
20mm deep x 65mm wide approx (plus flange).



Actual size

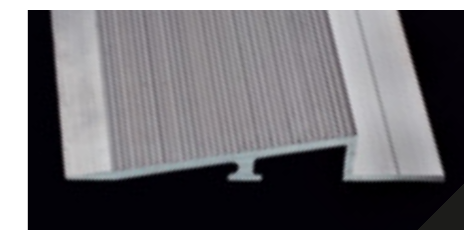


ALU-RAMP ALUMINIUM RAMPING

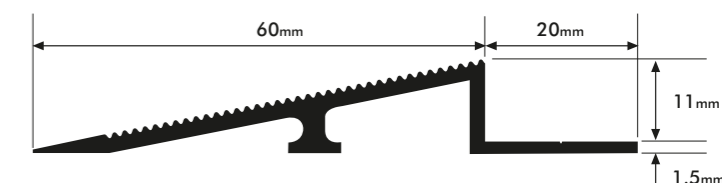
Alu-Ramp is similar to Bevalu II, but made specially for mats of lesser gauge, e.g. Grime-range, Matkandu, 10mm Ingenius 2004, etc.

Again this can be supplied either in lengths or in mitred and drilled format for screw-fixing.

PROFILE SIZE: 11mm deep x 60mm wide (plus flange).



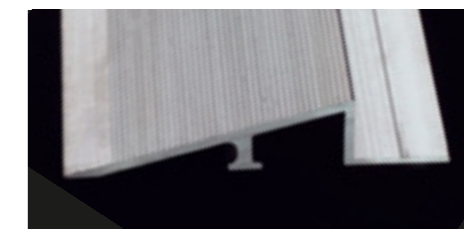
Actual size



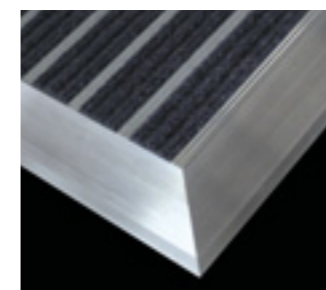
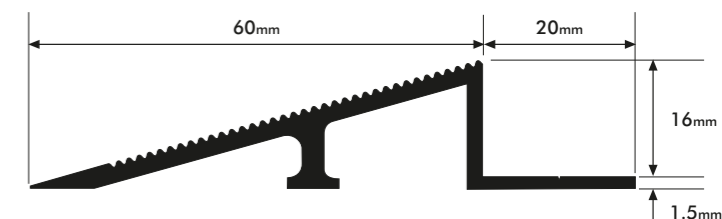
SAFE-T-EDGE

Similar in design to Bevalu II and Alu-Ramp but to suit our low profile Street range of mats, together with 17mm PVC backed coir, 15mm Ingenius 2004, Buffer-Zone and Alligator.

PROFILE SIZE: 16mm deep x 60mm wide (plus flange).



Actual size



- The matwell should be dug out to the depth of the frame allowing sufficient space for the matwell frame corner brackets.
- The matwell frame should be assembled using the external corner bracket (plus nuts and bolts supplied where necessary).
- The precise position of the matwell frame should be marked on the subfloor using a chalk string line. 90° angles should be marked and checked using a set square.
- The matwell frame should be placed in position and the location of the fixing holes marked on the subfloor.
- The frame should be moved aside and the subfloor drilled and plugged where it has been marked.
- The frame should be put back into position taking care to ensure that no distortion occurs. It may be necessary to pack beneath the frame in places where the matwell depth exceeds that of the frame.
- Screwing the frame to the subfloor should commence in the centre of one side, working towards the corners. At all times care must be taken to ensure that the upright part of the angle section remains vertical, that the frame does not become bowed either horizontally or vertically, and that right angled corners remain at 90°. It may be necessary to brace the frame with temporary timber battens to reduce the risk of bowing. The number of screws required will vary depending on the size and nature of the installation.
- Once the frame is fully screwed down, build-up and levelling screed should be applied to the base of the matwell to reduce its depth to suit the entrance matting. The accuracy of this finish should be checked with a straight edge. No departure greater than 3mm from the bottom of a 3 metre straight edge is acceptable.
- The screed should be allowed to fully cure and harden.
- The entrance mat should be laid loose in the finished matwell in accordance with the panel layout sketch provided with each matting system.
- Any gaps between the outer edge of the matwell frame and surrounding subfloor and finish should be grouted.

Recessed matwell sample

Aluminium/brass matwell frame

LEVEL SCREED

Matting Type	Recommended Frame Section (Y)	Finished Recess Depth (X) (Dependent on gauge of your choice of insert material)	Surface Mounted Ramping
Street Range Low Profile	32 x 32 x 5mm	16-20mm	Safe-T-Edge
Street Range Standard	32 x 32 x 5mm	20-22mm	Bevalu II
Buffer Zone Range	32 x 32 x 5mm	16-20mm	Safe-T-Edge
Alligator Range	32 x 32 x 5mm	14-20mm	Safe-T-Edge
Grime Range	25 x 25 x 5mm	11-17mm	Alu-Ramp
Grime Rail Firefighter	38 x 38 x 6mm (special section)	14-15mm	Safe-T-Edge

Ramped sample

Aluminium ramp

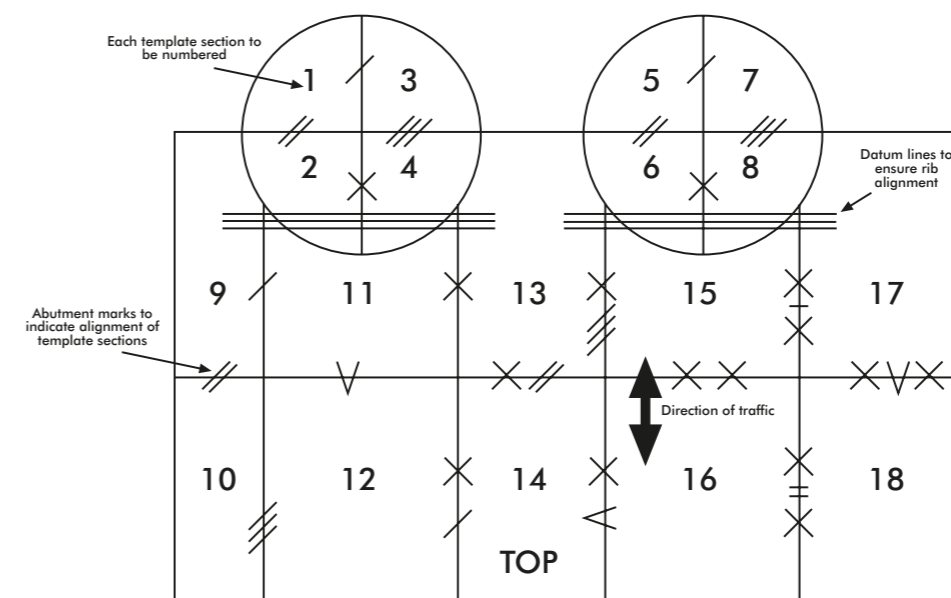
SOLID BASE

Aluminium ramp

Hardboard or plywood templates are often required to manufacture non-rectangular, aluminium based entrance matting systems. It is the responsibility of the purchaser to provide these templates. Jaymart aluminium based entrance matting systems are manufactured to extremely close tolerances and it is therefore essential that templates are produced to the same degree of accuracy in relation to the size and shape requirements of the site. The following guidelines are provided to assist the purchaser's template maker in producing accurate templates with which we can work.

- Mat templates should be produced following the installation of the matwell frame.
- Templates must be dimensionally stable. Hardboard and plywood are ideal. Vinyl and paper are not acceptable as they can bend, crease, stretch or shrink out of shape.
- Templates may be provided in one or more sections. Where more than one section is provided, abutment marks should be made to ensure proper alignment of the template sections. Templates should be marked "TOP", as appropriate.
- The position of all doors relative to the mat should be marked on the template.
- The direction of traffic flow should be marked on the template. Bear in mind that foot traffic flow may occasionally change direction after stepping onto a mat. This may require special design features.
- Templates should be a precise fit within an installed matwell frame. We will slightly reduce the mat size in relation to the template in order to facilitate fitting and removal. Templates made to "actual mat size" are perfectly acceptable, but should be marked accordingly. We will then reproduce exactly the size and shapes of the template. We do not recommend that previously fitted mats should be used to produce templates.
- Mat panels will be made to similar size, as appropriate to the overall size and shape of mat required. In the event of particular panel size requirements, we must be informed accordingly. Attention should be paid to such considerations as ease of fitting beneath fixed door leaves, avoiding joints in major traffic flow paths, aligning mat panel joints in surrounding tiled areas, etc.
- Where two mats are to be installed in close proximity, a datum line running through both templates should be marked and identified accordingly. This line will establish the precise relationship between the mats, and will enable us to ensure that the ribs align.
- Templates should be kept dry during making and transportation to our premises.
- It is the customer's responsibility to deliver templates to our premises.
- Jaymart retain ownership of the template following manufacture of the mat.

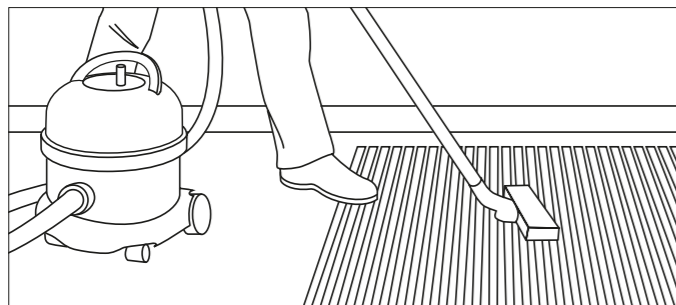
Please remember, the template you provide is our only information regarding your requirements. Any external factor which may have a bearing on the mat layout should be indicated on the template.



We are happy to recommend experienced entrance matting installation contractors who would be able to produce accurate templates on request. Please contact our customer service team for further details.

DAILY CLEANING

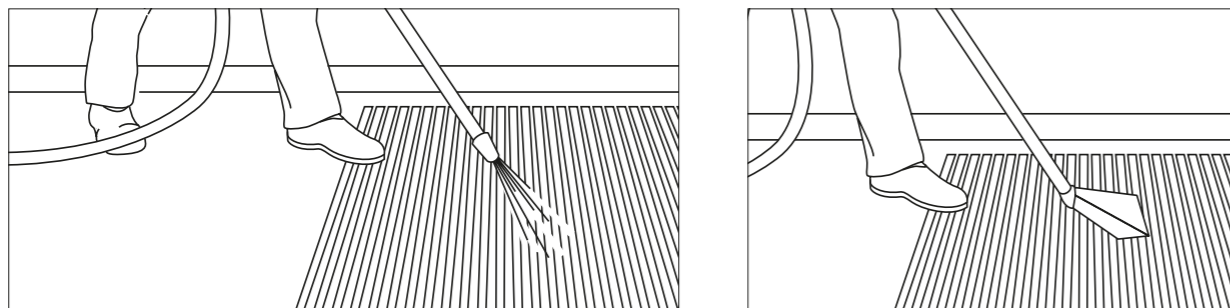
Regular maintenance is vital to ensure that the entrance matting remains effective.



Normal daily soiling can be dealt with using a suction vacuum cleaner. A 2000 Watt model will give better results than a lower powered model. The use of a rubber bladed, wet floor tool attachment should increase the effectiveness of the cleaning.

PERIODIC MAINTENANCE

Best results can be achieved by the periodic use of a spray extraction carpet cleaning machine or, where possible, by removal of the matting for pressure washing or steam cleaning.



The use of a mild detergent (neutral pH) cleaning solution in the carpet cleaning machine should loosen ingrained soiling and aid the removal of oils and grease. More stubborn stains should be treated with a solvent-based spot remover prior to re-cleaning with the detergent solution.

Chewing gum can be removed by freeze spraying or with a proprietary chewing gum remover, and then scraped or combed out of the matting carpet pile. This should be done before the full cleaning process is started.

All Jaymart aluminium mats have replaceable insert strips. Depending on the regularity of maintenance and the volume of foot traffic, the strips may require replacement at infrequent intervals. Replacement insert strips may be obtained from Jaymart Rubber & Plastics Ltd.

We are happy to recommend professional cleaning and maintenance contractors for care of your entrance matting system. Please contact our customer service team for further details.

The TERMS under which we conduct business are those shown on the inside back page. We do not accept any terms instituted by customers UNLESS they have been specifically agreed in writing by our Managing Director.

ORDERING PROCEDURE

Orders can be placed with our Sales Office by telephone, fax, post and email or with our area sales representatives.

NB. If you place an order by phone and then send in a written confirmation, you must mark the confirmation order accordingly. Otherwise the order may be duplicated and the responsibility will be yours.

ORDERING GUIDELINES FOR ALUMINIUM ENTRANCE MATTING SYSTEMS

The Jaymart range of aluminium entrance matting systems are specially manufactured to your exact requirements, and are difficult to adjust after manufacture. It is therefore essential that you advise the precise size required, stating whether the dimensions given are the actual mat size or internal matwell size. The "walk length" (direction of traffic) and "rib length" should be stated. The "walk length" is from front to back, and the "rib length" from left to right of the mat (i.e. as if standing outside the doorway looking in). If a frame is to be supplied, the overall external frame dimensions may also be given. Our expert assistance is, of course, available if necessary.

To manufacture non-rectangular mats we may require a template. It is the customer's responsibility to provide the template and deliver it to our premises. The template should be made of dry hardboard or plywood, and be cut precisely to the size and shape of the internal frame dimension (tolerances will be allowed in our Engineering workshop). The walk length and position of doors should be marked on the template. If templates consist of more than one sheet, abutment marks should be made. The top of the template should be marked "Top". We may be unable to proceed with an order if an unsatisfactory template is provided.

RECEIPT OF GOODS

Goods should always be checked upon receipt. Whilst Jaymart make every effort to ensure that goods reach you in perfect condition, transit damage can sometimes occur. In such instances the driver's delivery note should be endorsed accordingly, and we should be notified immediately. Check that you have received what you ordered, and that the goods correspond to the advice note. If there is a discrepancy contact us immediately, or at least within 24 hours of receipt.

In the unlikely event that you have a problem with any goods supplied to you, DO NOT LAY THEM. If you lay or cut the products you will be deemed to have accepted them and no credit, refund or replacement will be issued to you.

Instead CALL US at once and we will either arrange a site visit or send you replacement material.

Follow up your call the same day by sending in to the office a written notification of the problem. By doing this we should be able to resolve the problem quickly and correctly.

PLEASE NOTE:

While every effort is made to ensure accurate representation of colours, variations may occur due to limitations in the printing process. We always recommend, and are happy to supply free-of-charge, hand-held samples for colour reference.

TERMS & CONDITIONS

All quotations and contracts are subject to the following conditions unless otherwise stated subsequently by us in writing, and no qualification of these conditions in the customer order or acceptance shall be deemed to form part of this contract.

1. **Delivery:** Any items as to rate or time of DELIVERY are not to be deemed to be the essence of the contract and no guarantee can be given or implied thereto. We, however, will make every reasonable effort to ensure delivery in accordance with requirements so far as circumstances permit.
2. All orders are subject to our final acceptance at Westbury and thus the contract of sale is explicitly agreed to have been made at Westbury, Wiltshire. English Law shall apply and any dispute shall be settled in the English Courts.
3. ALL PRICES are quoted without engagement and, unless otherwise expressly stated by us in writing, subject to alteration without notice.
4. **DESPATCH OF ORDERS:** All goods are sent by the most convenient method available to us at the time of despatch unless otherwise specified. ANY GOODS FOR DELIVERY TO ADDRESSES OTHER THAN THOSE OF THE PURCHASER are only sent at the PURCHASER'S RISK.
5. **CARRIAGE:** Please see our current pricelist for carriage terms
6. **DELIVERY TO SITE:** THE PURCHASER WILL BE RESPONSIBLE FOR OFF-LOADING the goods and in accordance with normal transport practices such goods will be delivered to the goods inwards department or reception on the ground floor.
7. **SELECTION OF GOODS:** Is a matter solely for the purchaser, who should ascertain in advance of ordering, the suitability and colour, etc. of goods for the purpose required. Technical details and samples are available on request.
8. **TECHNICAL DESCRIPTION AND DATA.** Such descriptions whilst given as a guide in good faith are subject to alteration by the seller without notice. In particular all dimensions are approximate only.
9. **LIABILITY:** We will not be liable for any indirect or consequential loss whatsoever arising from, or in conjunction with, the supply of defective goods, delay in delivery, non-delivery, loss or damage to goods in transit or to the property of the purchaser, or any third person howsoever caused. If goods have been exported, customers are welcome to return the goods to our premises in Westbury where a decision can be made regarding any action to be taken.
10. **CLAIMS:** No claim for ANY DEFECT in goods supplied will be accepted unless made in WRITING within 3 days from the date of delivery. Goods returned to us within 10 days from receipt in exactly the same condition in which they were received, will be credited only if we also judge them to be defective, but will not form the subject of any claim for labour cost or other loss of any kind. No claim for loss or damage in transit will be accepted unless signed for as such and confirmed in writing and verbally within 10 days from the date of despatch. A clear signature to the carriers for goods concerned will indicate to the carriers and to us that they were received in perfect condition.
11. **DEFECTIVE GOODS:** Under no circumstances whatsoever will we accept return of goods for credit when they have already been installed, used or laid. Defects should be observed on receipt, i.e. prior to installation, use or laying, and be notified to us immediately, both verbally and in writing, so that we can decide what action may be taken. In the case of goods to be exported, inspection should be made prior to shipment.
12. **COLOURED GOODS:** JAYMART floorings and accessories are produced by highly sophisticated and modern manufacturing methods. However, due to differing production batches and or varying individual product manufacturing processes, colour and shading variations can occur and must be accepted.
13. **COLOUR SAMPLES:** The small hand feeler samples given or sent to enquirers are an indication of colour only . They are not necessarily representative of the actual product colour shade to be supplied
14. **PRODUCT CHANGES:** The policy of the Company is one of increasing improvement and development, so we reserve the right to add or delete from the range or to change products without notice
15. **TITLE TO GOODS:** We reserve the right to retain, if we should so decide, the title to goods supplied under these terms of sale until the purchaser has discharged all sums owing to us. Until such discharge, the purchaser shall hold the goods, whether or not sold to another party upon trust for ourselves and grant us the right, if we so wish, to enter the purchaser's or its agent's premises to recover any such goods.
16. **CANCELLATIONS.** We will consider, but not be bound to accept, any request for cancellation of an order, and acceptance shall be on such terms as may be agreed by us in writing.
17. **RETURNS:** We do not normally accept return of perfect goods if correctly supplied as ordered. We therefore strongly recommend that customers check quantity, colour and product requirements carefully before ordering. If goods are accepted for return for whatever reason, we reserve the right to levy an administration charge together with carriage costs incurred for original despatch. No requests for return will be considered more than 3 months after invoice date.
18. **COLLECTIONS:** Our warehouse is usually open for collection from Monday to Friday (9 a.m. to 12.30 p.m. and 2 p.m. to 5.30 p.m.) excluding holidays. We kindly request customers, however, to give us reasonable advance warning of intended collection of goods required. We regret that we cannot accept any claims whatsoever in such cases, if goods are unavailable at the time of collection. All promises of stock availability are given in good faith, but should not be regarded as guaranteed correct.
19. **SETTLEMENT:** Approved credit account customers should make their payments by the end of the month following the date of invoice. Cleared funds are required from non-credit account customers before goods can be released. Prepayment may be made by cheque, postal order, cash, bank transfer/CHAPS or most major credit/debit cards.
20. **VAT:** Is chargeable extra at current rate on prices listed.



FOR MATS THAT MATTER