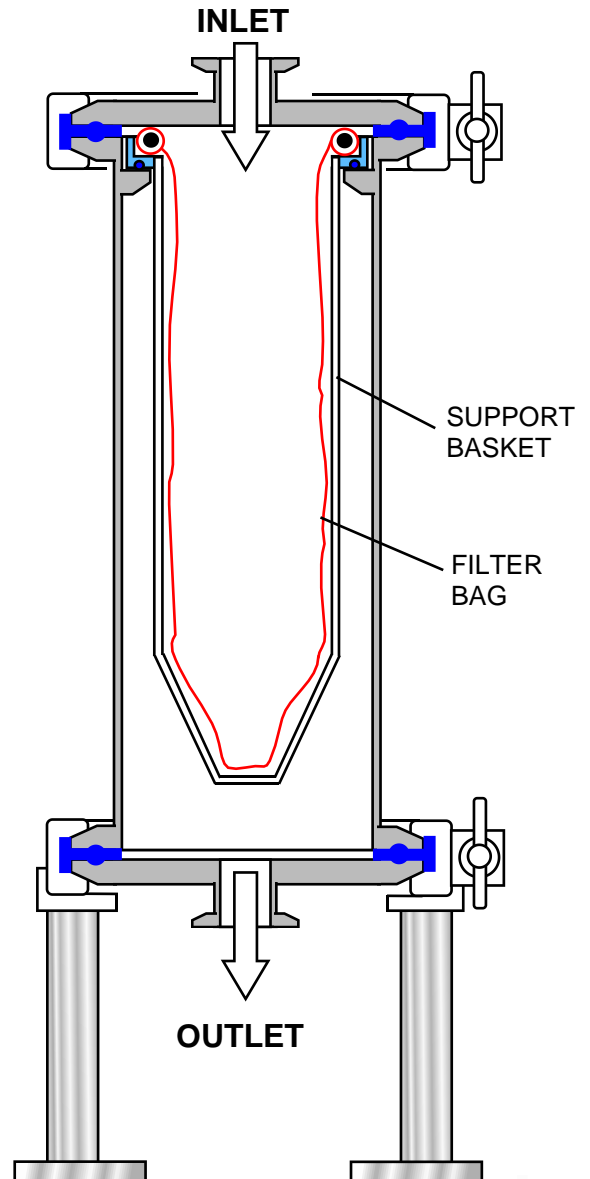


HYGIENIC BAG FILTER

SINGLE LENGTH VERSION
 MODEL : LB1



LARGER EXAMPLES



3X SINGLE LENGTH
 SS 316



4X DOUBLE LENGTH
 FEP lined SS 316
 PVDF internal components

The **HYGIENIC BAG FILTER** is constructed from SS 316, finished with a high polish to any required standard, both internally and externally.

CONNECTIONS are TRI-CLOVER®, or other type, as required.

SEALS are EPDM, nitrile, VITON® or PTFE.

The filter housing can be fully dismantled for cleaning.

The **HYGIENIC BAG FILTER** fits 'standard' filter bags in either monofilament gauze (mesh) or filter felts, or with baskets in SINTERED METAL MESH or other special materials.

The **HYGIENIC BAG FILTER** is available as single or double length versions, or as a 'mini' for smaller applications.

Custom models incorporating any additional feature the customer requires can be made.