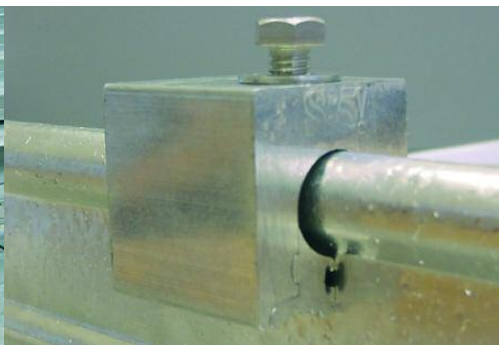


Uniclass	L6712		
Cl/SFB	(37)	t6	



ATTACHMENT CLAMPS FOR STANDING SEAM METAL ROOFING

S-5!™ is a range of innovative clamping devices that provides a non-piercing method of attachment to standing seam metal roofing panels for roof-mounted equipment, from solar panels, walkways and handrails to building services and snowguards.

The unique, rounded set screw dimples the standing seam without piercing the protective coating. This fixing method gives extremely high levels of attachment strength that is unrivalled. In addition, metallurgical compatibility ensures galvanic action does not take place between the clamps and metal roofing.

DESCRIPTION

The highly engineered S-5!™ range of clamping devices avoids the issues often associated with the support of roof-mounted equipment on metal standing seam roofs, such as penetrating the waterproof layer, leaks and maintenance problems.

Each clamp is fitted directly to the standing seam without piercing the metal sheeting, and transfers imposed loads from the supported equipment to the panel.

Each clamp within the S-5!™ range is provided with stainless steel set screws that firmly grip the standing seam. The attachment of roof-mounted equipment to each clamp is facilitated by an integral stainless steel bolt and washer.

The S-5!™ range includes:

- S-5!™ Standard Clamps
- S-5!™ Mini Clamps
- COLORGARD®

S-5!™ Standard Clamps

S-5-B™

A brass clamp for fitting to standing or batten seam copper roofing.

S-5-E™

An aluminium clamp for fitting to traditional double folded standing seam roofing.

S-5-T™

An aluminium clamp for fitting to 'T'-shaped standing seam profiles.

S-5-U™

An aluminium clamp for fitting to horizontal or vertical seams of most 'structural' and 'architectural' roof panel seam styles.

S-5-Z™

An aluminium clamp for fitting to 'bulb' shaped standing seam 'zip' profiles.



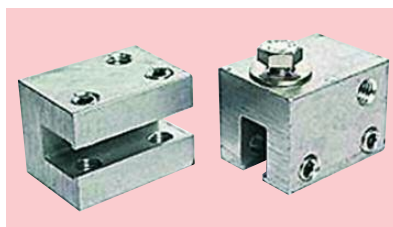
S-5-B™



S-5-E™



S-5-T™



S-5-U™



S-5-Z™

S-5!™ Mini Clamps

These are smaller versions of the S-5!™ standard clamps, but fit the same standing seam profiles with only one set screw. There are five types of clamp within the S-5!™ mini range.



S-5!™ Mini Clamps

ADVANTAGES

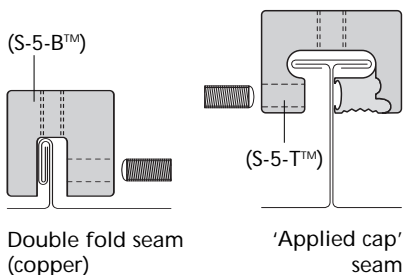
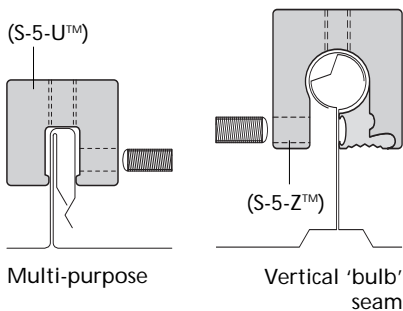
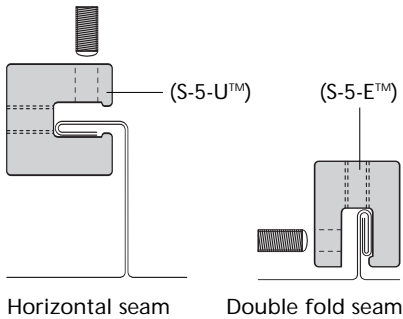
- A choice of clamp types, in both the standard and mini ranges, ensures roof-mounted equipment can be fixed to most standing seam profiles.
- Simple and quick to fix clamps to standing seam profiles.
- Fixing roof-mounted equipment to the clamp is also fast and easy.
- Aluminium clamps are metallurgically compatible with bare/painted galvanised steel, bare/painted aluminium, stainless steel, zinc sheet roofs and Al-Zn coated steel (e.g. Galvalume, Zinalume).
- Brass clamps (S-5-B™) are metallurgically compatible with copper sheet roofs.
- Stainless steel fixings for compatibility and durability.
- High attachment strength.
- Non piercing of protective coatings.
- Many types of roof-mounted equipment and fittings can be attached to standing seam roofs using S-5!™ clamps, such as:

Solar panels
HVAC
Pipes
Conduits
Condensate lines
Parapet bracing

Signs & banners
Lighting installations
Antennas
Stack & flue bracing
Roof walkways
Cable trays

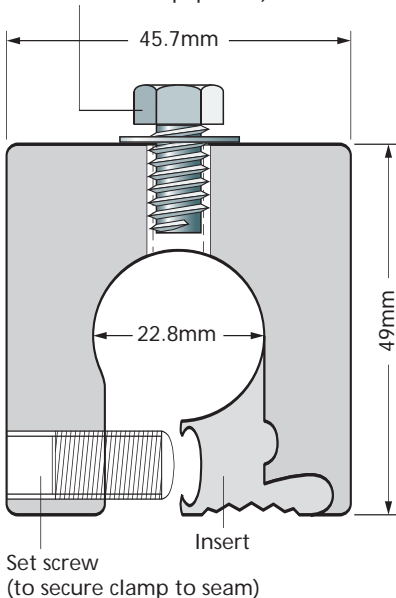


TYPES OF SEAM



S-5-Z™ CLAMP DIMENSIONS

Bolt and washer (to attach roof mounted equipment)



INSTALLATION NOTES

The following general installation procedures and considerations apply to all clamp types.

Position the clamps appropriately on the panel seam. In most applications, the clamp should be installed at a location on the seam that avoids the panel's attachment clip unless the clip is a dual-component expansion clip. Tighten and re-tighten set screws as the seam material compresses.

Most industrial grade screwguns will deliver between 115-150 lb/in (13-17 Nm) at the highest torque setting. The rounded nosed stainless steel set screws provided with each clamp will slightly dimple, but not pierce or tear, the seam material at these tensions. When relying upon tested load values of S-5!™ clamps, the set screw tension should be periodically verified.

S-5-Z™ Clamp

This clamp is installed using an insert piece and the tightening of two set screws at the base. See diagram. Orientation of the clamp is not critical as the set screws may be on either side of the seam.

COLORGARD®

This is a snow retention system fitted to standing seam roofs with S-5!™ standard clamps. The system can be fitted to existing roofs or new roofs. Using strips of the actual roof panel, COLORGARD® will exactly match the colour of the roof and last its entire life.



IMPORTANT CONSIDERATIONS

Specifiers should note the following important considerations to ensure that the clamps are installed and used in a responsible manner:

1. Any imposed loads on the clamps will be transferred to the roof panels. The panels must therefore be adequately attached to the building structure.
2. Although the clamps have been laboratory tested on various seam types, profiles, gauges and materials for ultimate tensile failure loads parallel to the panel seam, for critical installations the specifier should inquire for specific test data on specific roof panel designs. Appropriate factors of safety must be applied when relying on these test results.
3. Always provide worker fall protection when installing S-5!™ clamps.
4. The S-5!™ clamps are **not** tested or approved for use as directly attached personal fall restraint devices, but are extensively tested and used as components in fall protection devices by leading manufacturers.



S-5!™ technology is protected by numerous U.S. and European patents.



S-5!TM



E-MAIL ADDRESSES

sales@roof-pro.co.uk – orders & deliveries.

CAD@roof-pro.co.uk – drawings & estimating.

Firstname.surname@roof-pro.co.uk – area sales managers & technical support.

info@roof-pro.co.uk – all other inquiries.



ROOF-PRO LTD, PO Box 505, Kempston, Bedfordshire MK42 7LQ
T: 01234 843790 F: 01234 856259 www.roof-pro.co.uk