

Picnic Furniture

Disabled access is an increasingly important consideration when specifying picnic furniture, so our range has been expanded to accommodate this issue. Provision can be made either in an open and obvious way or covertly, depending on the nature of the location. Products with a disabled access provision have a DA suffix. Unlike some of the lighter all wooden furniture on the market, which is aimed primarily at the non-municipal sector, our products are hard wearing and maintainable. Styled to match our seats and bins, they are available in

various types, to suit different environments, and most seat six to eight people. Picnic **units** (which have integral seats and tables) are all supplied in pedestal base form as standard (to bolt down), and can be supplied with galvanised ground fixing extensions to concrete them in if required. The ground fixing extensions are attached by stainless steel coach bolts to prevent them being tampered with. Picnic **sets** (which have the seats and tables as separate units) are supplied with extended legs (for concreting in), as standard.



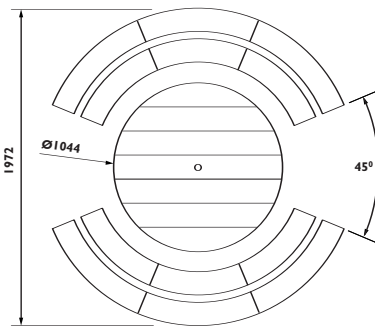
LAKELAND PICNIC SET

An attractive circular picnic set, especially suitable as a feature in a landscape scheme. It is supplied with a central hole for a parasol, and when supplied in standard form with an extended leg to concrete in, has a single large diameter post supporting the table. These units look particularly effective when used in conjunction with curved units from our Universal Bench System (see page 30), and the Ruthin or Cambridge circular litter bins (see pages 44 - 45). A DA version providing excellent disabled access is available.

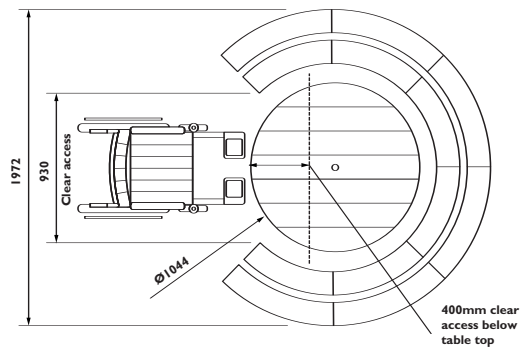
- Boards 32 x 145mm finished
- Boards available in iroko or seasoned oak
- See pages 73 - 75 for timber specifications and finishes
- Frames 140 x 5mm circular hollow table leg and 60 x 3mm circular hollow seat legs
- Seat height 482mm, table height 792mm
- Frames finished in either Acrylic Coating or Street-Tough in black as standard (see page 77), eleven other colour options at no extra cost (see page 80)
- Supplied with extended legs (for concreting in), as standard.
- Weight approx. 133kg.
- For installation recommendations see pages 55 - 56



Lakeland Picnic Sets with optional layout



Standard configuration



Disabled access (DA) configuration

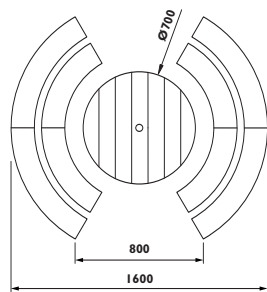
FENLAND PICNIC SET

A smaller circular picnic set, for drinks and light snacks, suitable for use by four people in restricted spaces. It is supplied with a central hole for a parasol, and when supplied in standard form with an extended leg to concrete in, has a single post supporting the table. A DA version providing disabled access is available.

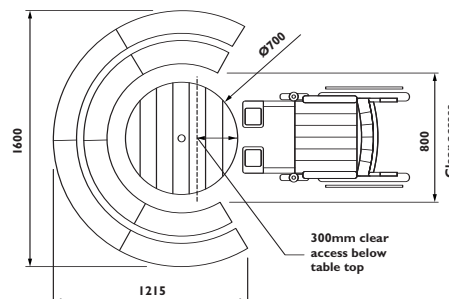
- Boards 32 x 145mm and 32 x 95mm finished
- Boards available in iroko or seasoned oak
- See pages 73 - 75 for timber specifications and finishes
- Frames 89 x 4mm circular hollow table leg and 60 x 3mm circular hollow seat legs
- Seat height 482mm, table height 792mm
- Frames finished in either Acrylic Coating or Street-Tough in black as standard (see page 77), eleven other colour options at no extra cost (see page 80)
- Supplied with extended legs (for concreting in), as standard.
- Weight approx. 72kg.
- For installation recommendations see pages 55 - 56



Fenland Picnic Set



Standard configuration



Disabled access (DA) configuration

HIGHLAND DA PICNIC SET

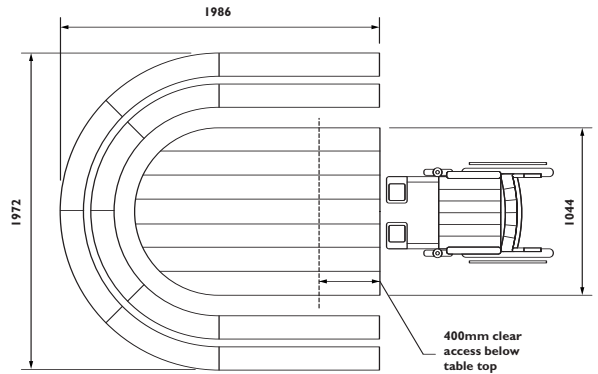
An elegant horseshoe shaped picnic set, with ample provision for dining. It is supplied with a central hole for a parasol. Excellent covert disabled access is provided at the open end of the table.

- Boards 32 x 145mm finished
- Boards available in iroko or seasoned oak
- See pages 73 - 75 for timber specifications and finishes
- Frames 89 x 4mm circular hollow table legs and 60 x 3mm



circular hollow seat legs

- Seat height 482mm, table height 792mm
- Frames finished in either Acrylic Coating or Street-Tough in black as standard (see page 77), eleven other colour options at no extra cost (see page 80)
- Supplied with extended legs (for concreting in), as standard.
- Weight approx. 120kg.
- For installation recommendations see page 55 - 56

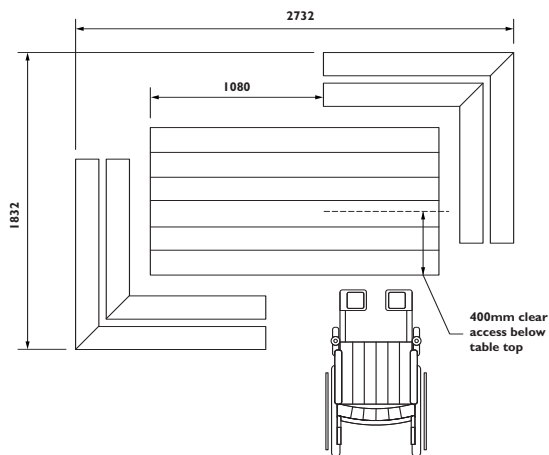


HEADLAND DA PICNIC SET

A rectangular picnic set, with ample provision for dining. It is supplied with a central hole for a parasol. Excellent disabled access is provided on both sides of the table.

- Boards 32 x 145mm finished
- Boards available in iroko or seasoned oak
- See pages 73 - 76 for timber specifications and finishes
- Frames 89 x 4mm circular hollow table legs and 60 x 3mm circular hollow seat legs

- Seat height 482mm, table height 792mm
- Frames finished in either Acrylic Coating or Street-Tough in black as standard (see page 77), eleven other colour options at no extra cost (see page 80)
- Supplied with extended legs (for concreting in), as standard.
- Weight approx. 112kg.
- For installation recommendations see pages 55 - 56

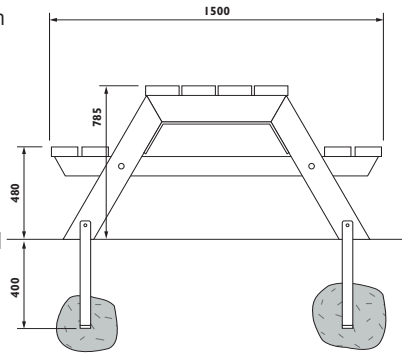


WOODLAND PICNIC UNIT

Constructed from green European oak, treated softwood or iroko (described in detail on pages 73 - 76), this substantial unit has been designed to blend into, or create, rural environments such as country parks, riverside

walks and forest paths. Galvanised reinforcing brackets add to the strength of this unit without detracting from its appearance. A disabled access (DA) version is available with the table boards extended on one end by 200mm, for a small additional cost. The top face and edges of each seat board are planed, the remaining components being rough sawn. When specified in iroko, all the surfaces are planed and sanded.

- Table boards 47 x 145mm approx. finished (45 x 145mm in iroko)
- Seat boards 47 x 120mm approx. finished (45 x 95mm in iroko)



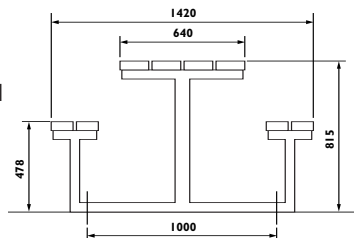
Woodland Picnic Unit in European oak

- Frames 75 x 125 mm and 75 x 100mm approx. finished (70 x 125mm & 70 x 100mm in iroko)
- Length 1800mm, weight approx. 150kg.
- European oak or treated softwood finished in a dark oak coloured spirit based wood stain, see pages 74 - 75
- Iroko supplied planed and sanded, see page 73
- K9 galvanised ground fixing extensions, 500mm long, are available to concrete the unit in, as shown on the adjacent illustration

UPLAND PICNIC UNIT

A robust integral unit, with boards of green European oak or treated softwood (described in detail on pages 74 - 76) and brown finished steel frames, designed for semi-rural locations. It combines the rustic appeal of our Woodland picnic unit with the strength of our steel framed units. The 2300 DA version provides good wheelchair access.

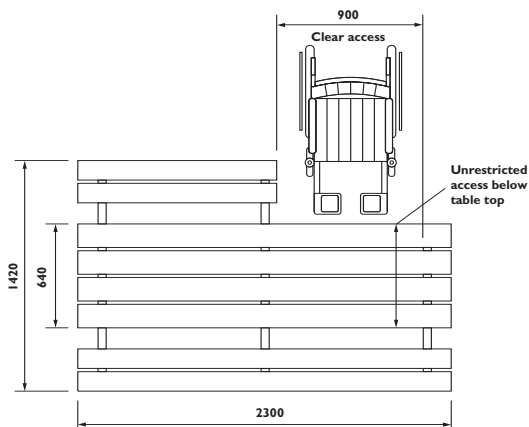
- Table boards 47 x 145mm approx. finished
- Seat boards 47 x 120mm approx. finished
- Frames 50 x 50 x 3mm hollow, with 50 x 75 x 3mm hollow table legs
- Boards finished in brown wood stain
- Frames finished in either Acrylic Coating or Street-Tough in brown 08B29 as standard (see page 77), eleven other colour options at no extra cost (see page 80)



1800 Upland Picnic Unit



2300 Upland DA Picnic Unit



- Supplied with pedestal base mounting (for bolting down), as standard
- K3 rawl bolts or K10 extended rawl bolts are available to bolt the unit down
- K13C (225mm long), or K14C (400mm long) galvanised ground fixing extensions are available to concrete the unit in
- Length 1800mm, weight approx. 134kg., Length 2300mm weight approx 162kg
- For installation recommendations see pages 55 - 56

Picnic Furniture

BROADLAND PICNIC UNIT



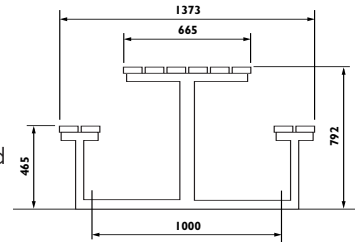
Broadland Picnic Unit

A popular and economical picnic unit, suitable for general purposes, particularly more formal parks and picnic areas.

- Boards 32 x 95mm finished
- Boards available in Iroko or seasoned oak
- See pages 73 - 76 for timber specifications and finishes
- Frames 50 x 50 x 3mm hollow, with 50 x 75 x 3mm hollow

table legs

- Length 1800mm, weight approx. 74kg.
- Frames finished in either Acrylic Coating or Street-Tough in black as standard (see page 77), eleven other colour options at no extra cost (see page 80)
- Supplied with pedestal base mounting (for bolting down), as standard
- K3 rawl bolts or K10 extended rawl bolts are available to bolt the unit down.
- K13C (225mm long), or K14C (400mm long) galvanised ground fixing extensions are available to concrete the unit in
- For installation recommendations see pages 55 - 56



HEATHLAND PICNIC UNIT



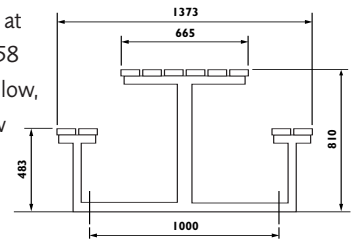
Heathland Picnic Unit with red boards

An integral picnic unit with recycled plastic boards generally similar to our Broadland wooden boarded type, but having an additional central frame for extra rigidity. Red, yellow, blue or green polyboards give this unit real impact for play areas.

- Polyboards 50 x 95mm
- Polyboards in brown as standard, also available in black, (or

blue, green, red or yellow at additional cost) see page 58

- Frames 50 x 50 x 3mm hollow, with 50 x 75 x 3mm hollow table legs
- Length 1800mm, weight approx. 123kg
- Pedestal base (for bolting down) as standard
- K3 rawl bolts or K10 extended rawl bolts are available to bolt the unit down
- K13C (225mm long), or K14C (400mm long) galvanised ground fixing extensions are available to concrete the unit in
- Frames finished in either Acrylic Coating or Street-Tough in dark green 14C40 as standard (see page 77), eleven other colour options at no extra cost (see page 80)
- For installation recommendations see pages 55 - 56



CUMBERLAND PICNIC UNIT

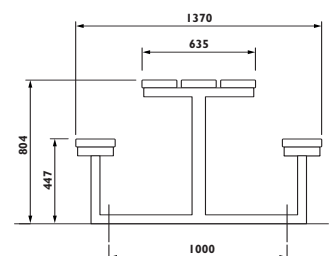


Cumberland Picnic Unit

This unit seats six to eight people and is specifically designed for use in parks and other high usage public areas. Unlike some of the lighter all wooden furniture on the market, which is aimed primarily at the non-municipal sector, this product is hard wearing and maintainable. The boards are secured by 10mm BZP coach bolts with washers and plain nuts. There is a hole for a parasol as standard.

- Table boards 44 x 195mm finished
- Seat boards 44 x 220mm finished

- Boards supplied in planed kiln dried treated softwood (see page 76)
- Boards finished in a light oak coloured spirit based wood stain
- Frames 50 x 50 x 3mm hollow, with 50 x 75 x 3mm hollow legs
- Supplied with pedestal base mounting (for bolting down), as standard
- K13C (225mm long), or K14C (400mm long) galvanised ground fixing extensions are available to concrete the unit in
- K3 rawl bolts or K10 extended rawl bolts are available to bolt the unit down
- Length 1800mm, weight approx. 82kg.
- Frames finished in Acrylic Coating in black as standard (See page 77)
- For installation recommendations see pages 55 -56



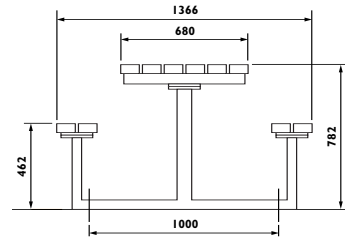
GLENSIDE PICNIC UNIT



Glenside Picnic Unit

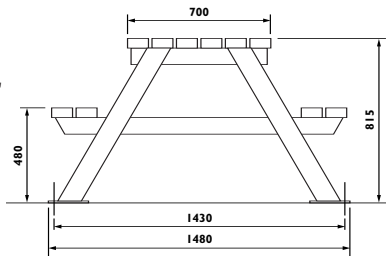
An exceptionally rugged, almost indestructible picnic unit, designed for sites where facilities need to be provided, but the threat of vandalism is known to be high. To keep costs down these units are offered in our Acrylic Coating (ungalvanised) as standard. They can be Street - Tough finished if required. A disabled access (DA) version is available with the table boards extended on one end by 200mm, for a small additional cost.

- Acrylic Coating in dark green 14C40 as standard. Street-Tough finish available. Eleven other standard colour options at no extra cost (see page 80) Also available in any other B.S. or RAL colour for a surcharge
- Frames 50 x 50 x 3mm and 50 x 75 x 3mm hollow.
- Slats 50 x 100 x 2mm hollow.
- Length 1800mm, weight approx. 125kg.
- Pedestal base (for bolting down) as standard
- K3 rawl bolts or K10 extended rawl bolts are available to bolt the unit down.
- K13C (225mm long), or K14C (400mm long) galvanised ground fixing extensions are available to concrete the unit in
- For installation recommendations see pages 55 - 56



HILLSIDE PICNIC UNIT

An exceptionally rugged, almost indestructible all steel 'A' frame picnic unit, designed for sites where facilities need to be provided, but the threat



of vandalism is known to be high. To keep costs down these units are offered in our Acrylic Coating (ungalvanised) as standard. They can be Street-Tough finished if required. A disabled access (DA) version is available with the table boards extended on one end by 200mm, for a small additional cost.

- Acrylic Coating in green 14C40 as standard. Street-Tough finish available. Eleven other standard colour options at no extra cost (see page 80) Also available in any other B.S. or RAL colour for a surcharge
- Frames 50 x 100 x 2mm and 40 x 80 x 3mm hollow
- Slats 50 x 100 x 2mm hollow



Hillside Picnic Unit

- Length 1800mm, weight approx. 120kg.
- Pedestal base (for bolting down) as standard
- K1 rawl bolts or K4 extended rawl bolts are available to bolt the unit down.
- K5C (225mm long), or K11C (400mm long) galvanised ground fixing extensions are available to concrete the unit in
- For installation recommendations see page 25 (K5C/K11C) and page 56 (K1/K4)

Picnic Furniture

Summary of options available for picnic furniture

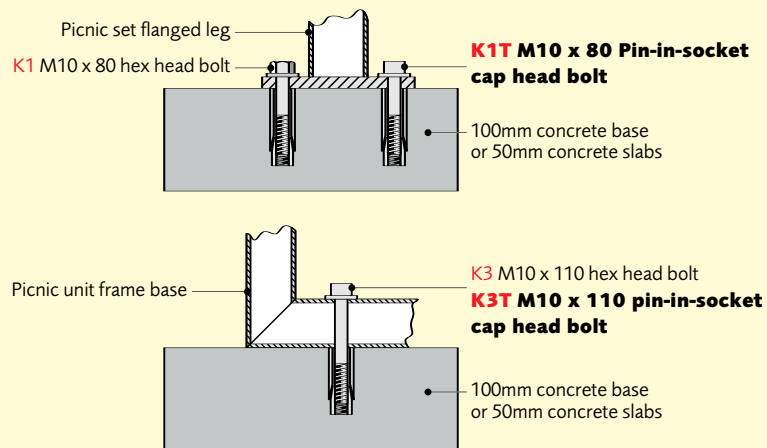
	Pedestal Base	Extended Legs	K1	K1T	K3	K3T	K4	K4T	K5C	K9	K10	K10T	K11C	K13C	K14C
Lakeland		•													
Fenland		•													
Highland		•													
Headland		•													
Woodland	•									•					
Upland	•				•	•					•	•		•	•
Broadland	•				•	•					•	•		•	•
Heathland	•				•	•					•	•		•	•
Cumberland	•				•	•					•	•		•	•
Glenside	•				•	•					•	•		•	•
Hillside	•		•	•			•	•	•				•		

Installation Recommendations

1. Rawl bolts (K1, K1T, K3 or K3T)

Picnic furniture can be rawl bolted to an existing surface of sound concrete, or well laid traditional size concrete or stone slabs, using these M10 rawl bolts. This method is not normally suitable for installing picnic furniture onto small block paviers. All the bolts in these options are stainless steel.

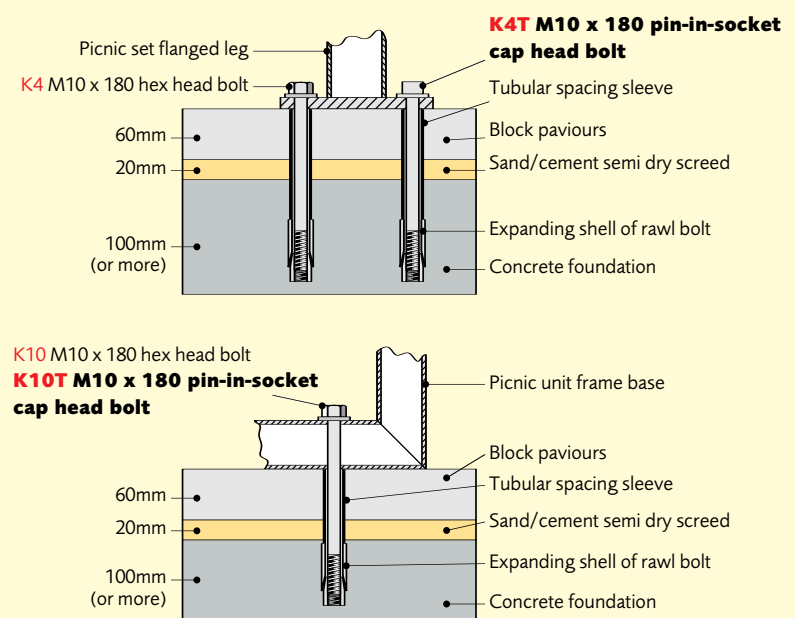
- **K1, K3** have hex head bolts
- **K1T, K3T** have tamper resistant pin-in-socket cap head bolts to reduce the risk of unauthorized removal



2. Extended rawl bolts and spacers (K4, K4T, K10 or K10T)

For the installation of picnic units onto small block paviers, typically 60mm thick, we recommend either the K4, K4T, K10 or K10T M10 x 180, extended rawl bolts, with semi collapsible spacing tubes. The spacing tubes hold the rawl bolt shell in the concrete (which must be laid beneath the paviers) whilst the bolt is being tightened. It is recommended that the paviers in the area of the units are bedded on top of the concrete using a semi dry sand cement screed about 20mm thick. These kits are also suitable for fixing units onto surfaces of bituminous macadam, laid on top of concrete. All the bolts in these options are stainless steel.

- **K4, K10** have hex head bolts
- **K4, K10T** have tamper resistant pin-in-socket cap head bolts to reduce the risk of unauthorized removal



3. Galvanised ground fixing extensions (K13C or K14C)

These extensions have the advantage of offering a very strong and permanent installation, though they are more work than the other fixing kits. This means of fixing is suitable for grassed areas, small block paviers and macadam surfaces. The extensions are bolted to the underside of the picnic units, which are then positioned in four previously dug holes. The holes are then back filled with concrete and the ground surface made good around the units. The coach bolts in these options are stainless steel. The K13C options are 225mm long, and the K14C options are 400mm long.

- **K13C** and **K14C** have coach bolts (which are very tamper resistant, but the head needs to be removed with a grinder if ever the unit needs to be moved).

