



tricoothermal

HEATING & COOLING

T90s

Water up to 95 °C



6642

ABOUT THE UNIT

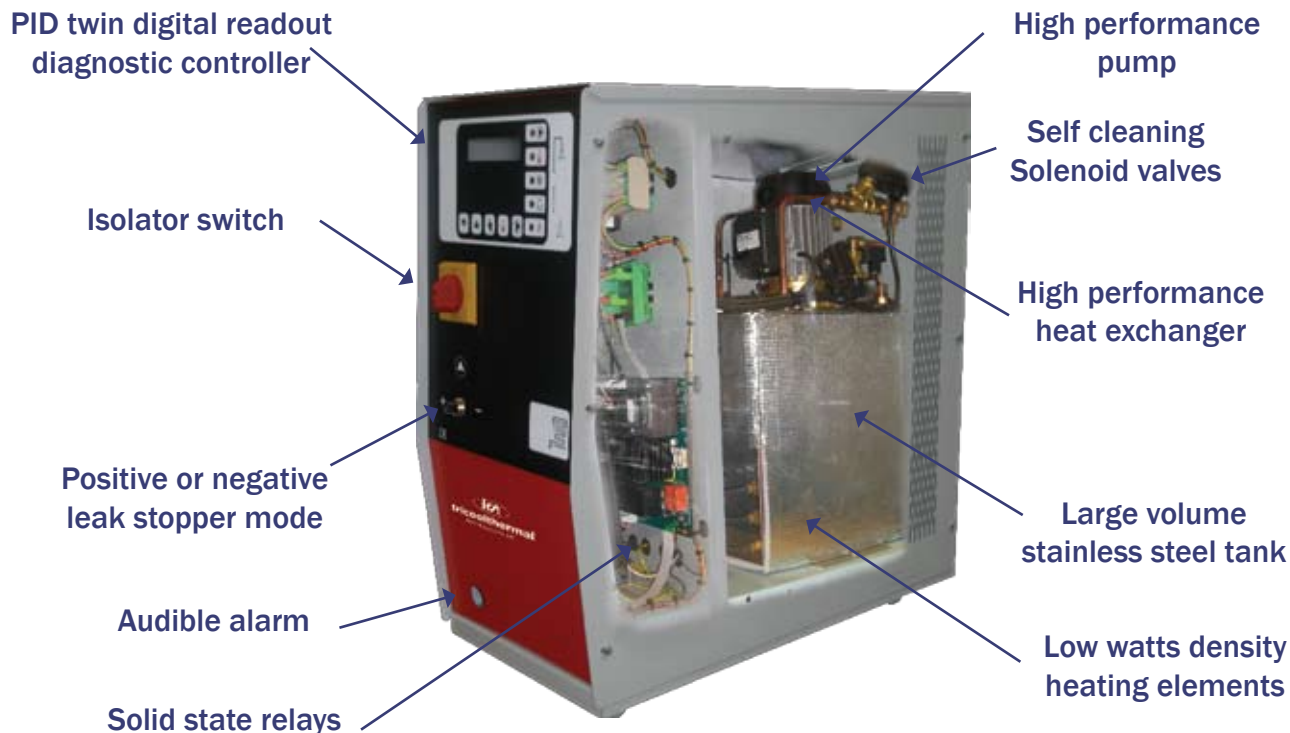
Tricool Thermal's T90s unit is available from 9-18kW, heating water up to 95°C.

The unit features a diagnostic controller aiding maintenance by showing knowledge of any faults. It has increased accuracy thanks to the solid state relays and with no moving parts there is no wear and tear.

The system features non ferrous parts keeping the system clean with no rust from internal materials.

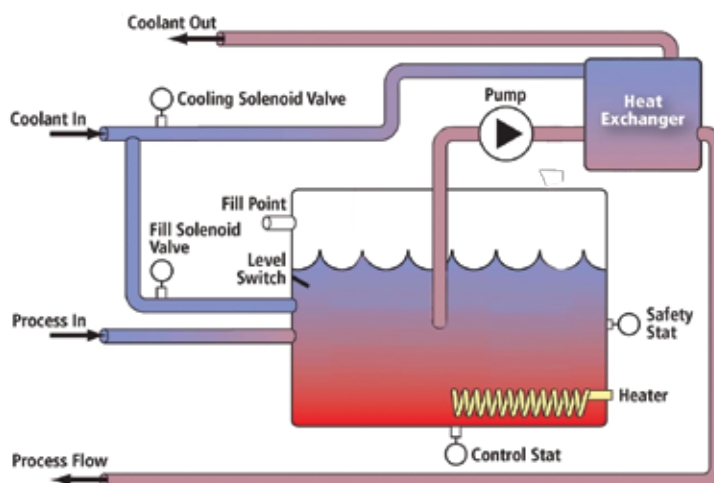
FEATURES

- **LARGE VOLUME TANK**
More stable temperatures achieved
- **DIAGNOSTIC CONTROLLER**
Helps maintenance by showing knowledge of any faults that occur
- **NON FERROUS INTERNAL PARTS**
Keeps system clean no rust from internal materials of unit
- **CASTORS**
Enables easy manoeuvrability
- **DIRECT ACTING SELF CLEANING SOLENOID VALVES**
Low maintenance due to minimal cleaning required (no diaphragm)
- **LEAKSTOPPER AS STANDARD**
Standard feature that enables operator to stop minor leaks and carry of production
- **SOLID STATE RELAY**
Energy savings due to pulsing every 0.3 seconds (contactors generally every 16 seconds) Increased accuracy
No wear and tear due to no moving parts



OPTIONS

- Controller available with a number of language chips
- Tool purge
- Switchable remote and local sensing
- IP 55 rated electrical specification
- Stainless steel panels
- Various flow and pressure options
- Bespoke machines made to order
- Data logging instrumentation



UNIT SPECIFICATIONS

Model	Heating kW	Heat Exchanger 80°C TD	Max Flow/ Pressure LPM/bar	Connections Process	Connections Cooling	FLA Amps	Dimensions mm
T90s - 9	9	44kW	60/4	1/2"	1/2"	18	630 L x 300 W x 670 H
T90s - 12	12	44kW	60/4	1/2"	1/2"	22	630 L x 300 W x 670 H
T90s - 18	18	44kW	70/6	3/4"	1/2"	30	630 L x 300 W x 670 H
Colour	Grey RAL7035		Red RAL3020				

Head Office South

+44 (0) 23 8052 7300
London
+44 (0) 208 200 2404
Midlands
+44 (0) 121 326 7771

North

+44 (0) 1274 740877
Scotland
+44 (0) 1698 723308
Ireland
+353 (0) 86 38 77990