

Strength	Conductivity	Density
3.6N/mm ²	0.15 W/mK	600kg/m ³

Celcon blocks – Standard Grade



Borough Green
Plain Face - 440mm x 215mm



Westbury/Pollington
V-key - 440mm x 215mm

Standard Grade is extremely versatile and can be used below DPC as infill for beam and block flooring systems, as well as above the ground in the walling applications listed.

Celcon Standard blocks are BBA certified and available in thicknesses from 75mm up to 215mm. Due to its all round performance, it is possible for 100mm Standard Block to be used throughout a build – in floors and all walls eliminating any site confusion.

Applications

- Internal and external leaf of cavity walls
- Solid walls
- Separating walls
- Partitions
- Multi storey buildings
- Foundations
- Beam and Block floors
- Flanking walls



Face size

440mm x 215mm

Block Thickness (mm)	75	100	115	140	150	215
Block Weight at 3% (kg) [†]	4.4	5.8	6.7	8.2	8.8	12.6
Block Weight (kg) ^{††}	5.5	7.3	8.4	10.2	10.9	15.7
Pack Weight (kg)*	711	729	755	715	766	784

* Pack weight excludes pallet.

† Block weights calculated at 3% moisture content by weight.

†† Blocks weights at typical moisture content when laid. (Some manufacturers may quote weights which have not allowed for this.)

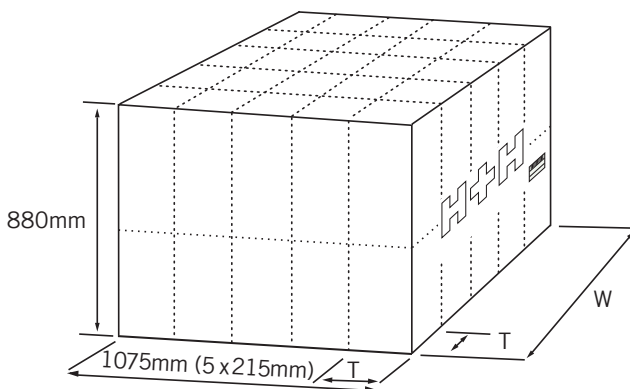
Compressive Strength	3.6N/mm ²
Thermal Conductivity	0.15 W/mK
Density	600 kg/m ³

20.4 Bold figures indicate that the product is above single person repetitive manual handling limits.

All shaded areas indicate that the product is a stock item at all factories, other sizes can be made to order subject to minimum quantities.

Pack Information

Block Thickness (mm) = T	75	100	115	140	150	215
Coverage per pack	13.0	10.0	9.0	7.0	7.0	5.0
Number of blocks per pack	130	100	90	70	70	50
Pack width (mm) = W	975	1000	1035	980	1050	1075



For further information and to check our most up-to-date product range please visit our website www.hhcelcon.co.uk or contact the following departments:

Sales

For sales enquiries or to find your local stockist please contact

Tel: 01732 886444

Fax: 01732 887013

Technical

For technical enquiries please contact

Tel: 01732 880580

Fax: 01732 880581

Email: tsd@hhcelcon.co.uk