

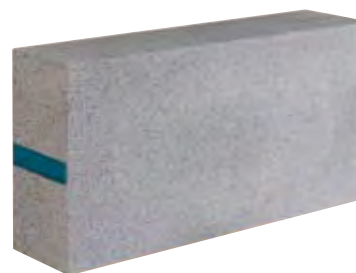
# H+H Product Datasheet

## Celcon Blocks – Solar Grade

Page 1 of 2

Strength	Conductivity	Density
2.9N/mm <sup>2</sup>	0.11 W/mK	460kg/m <sup>3</sup>

## Celcon Blocks – Solar Grade



**Celcon Block**  
Plain Face - 440mm x 215mm



**Celcon Block**  
Scratch marked - 440mm x 215mm

Solar Grade is principally used where enhanced thermal performance is required.

With a superior thermal conductivity Solar blocks are suitable for two storey buildings and can be used below DPC. Celcon's Solar range is available in thicknesses from 100mm to 265mm, and are third party accredited under BBA certified for use in the applications listed.

### Applications

- Internal and external leaf of cavity walls
- Solid walls
- Partitions
- Flanking walls
- Below DPC



build with ease

**H+H**

# H+H Product Datasheet

## Celcon Blocks – Solar Grade

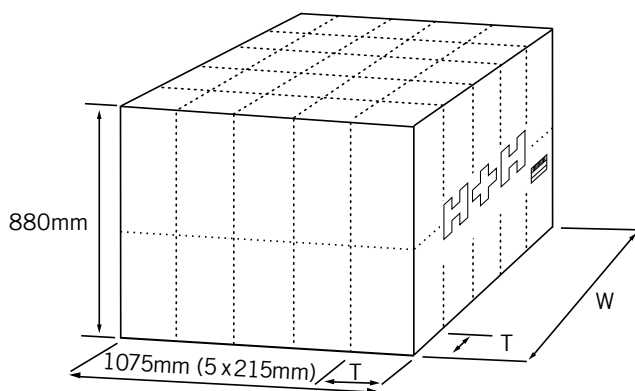
Page 2 of 2

Face size	440mm x 215mm				
<b>Block Thickness (mm)</b>	<b>100</b>	<b>115</b>	<b>140</b>	<b>215</b>	<b>265</b>
<b>Block Weight at 3% (kg)<sup>†</sup></b>	4.5	5.2	6.3	9.6	11.9
<b>Block Weight (kg)<sup>††</sup></b>	5.5	6.3	7.7	11.8	14.6
<b>Pack Weight (kg)<sup>*</sup></b>	550	569	539	591	583

<b>Compressive Strength</b>	2.9N/mm <sup>2</sup>
<b>Thermal Conductivity</b>	0.11 W/mK
<b>Density</b>	460 kg/m <sup>3</sup>

### Pack Information

<b>Block Thickness (mm) = T</b>	<b>100</b>	<b>115</b>	<b>140</b>	<b>150</b>	<b>215</b>
<b>Coverage per pack</b>	10.0	9.0	7.0	7.0	5.0
<b>Number of blocks per pack</b>	100	90	70	70	50
<b>Pack width (mm) = W</b>	1000	1035	980	1050	1075



\* Pack weight excludes pallet.

† Block weights calculated at 3% moisture content by weight.

†† Blocks weights at typical moisture content when laid. (Some manufacturers may quote weights which have not allowed for this.)

**20.4** Bold figures indicate that the product is above single person repetitive manual handling limits.

All shaded areas indicate that the product is a stock item at all factories, other sizes can be made to order subject to minimum quantities.

For further information and to check our most up-to-date product range please visit our website [www.hhcelcon.co.uk](http://www.hhcelcon.co.uk) or contact the following departments:

#### Sales

For sales enquiries or to find your local stockist please contact  
 Tel: 01732 886444  
 Fax: 01732 887013

#### Technical

For technical enquiries please contact  
 Tel: 01732 880580  
 Fax: 01732 880581  
 Email: [technical.services@hhcelcon.co.uk](mailto:technical.services@hhcelcon.co.uk)

build with ease

