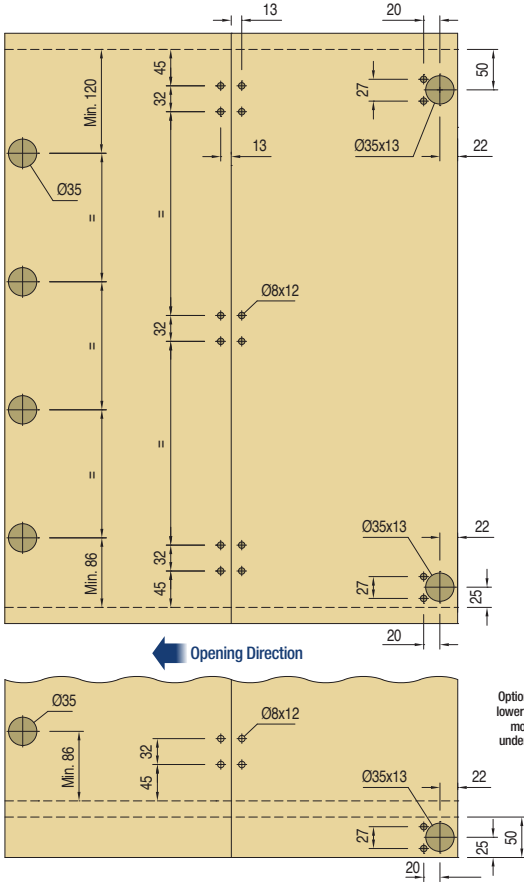


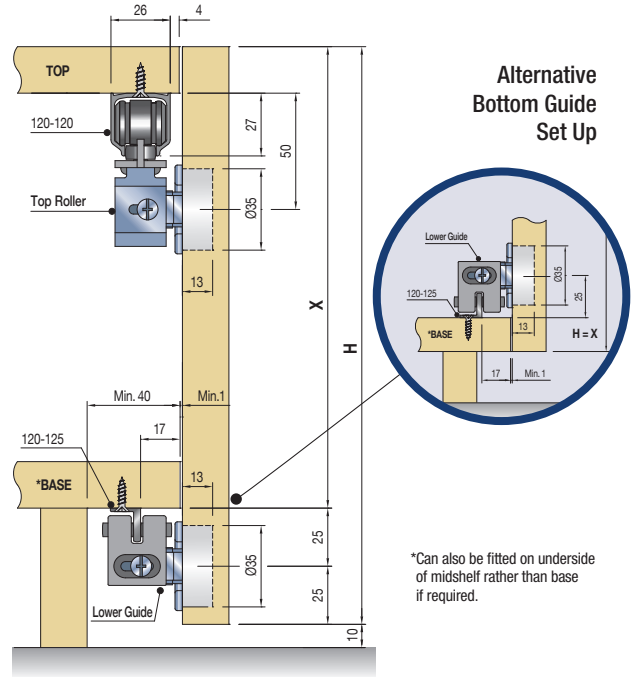
# FurnFold Folding Door System

Drilling and assembly instructions, please follow guide.

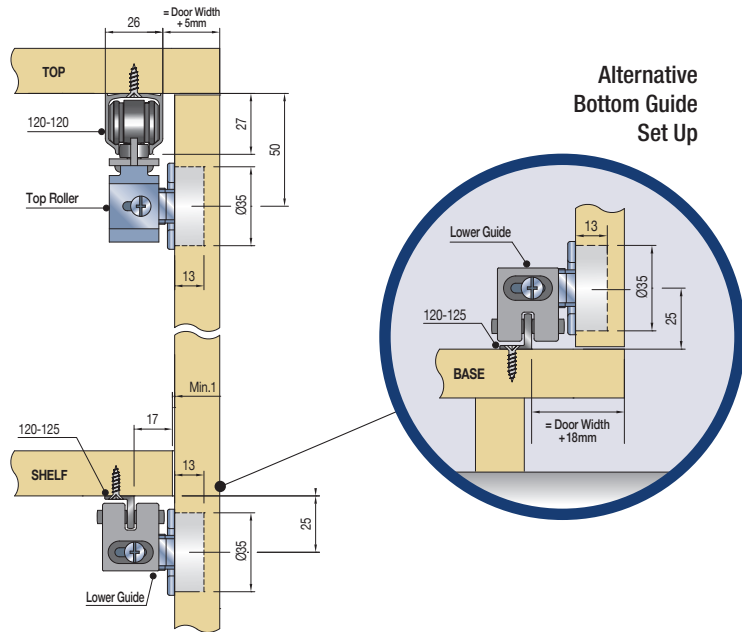
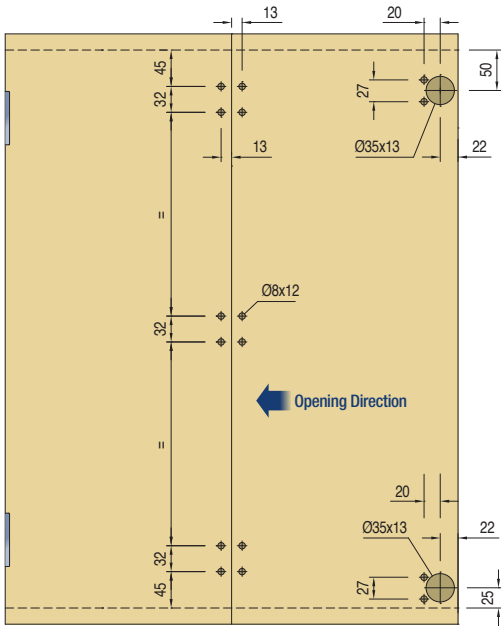
## Overlay Doors [Drilling detail for overlay doors]



- Weight of door is taken by side hinges and the top roller acts as a guide.
- Refer to hinge capacity to calculate number of hinges required.



## Inframe Doors [drilling detail for inframe doors]



Runners Sliding Door Systems  
Signal Hill, Lenborough Road, Gawcott, Buckingham MK18 4BU

telephone 01280 822288  
fax 01280 813024  
email sales@runners-sales.com  
www.runners-uk.com

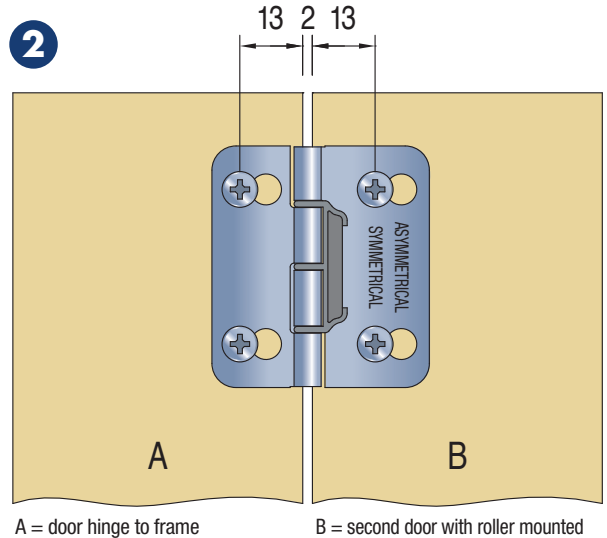
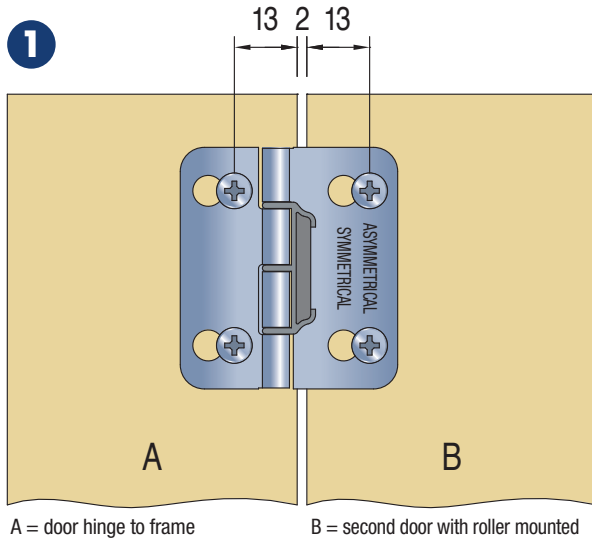
**INSTRUCTION GUIDE**

120-120  
120-125  
FurnFold Sliding Door System

# FurnFold Folding Door System

Drilling and assembly instructions, please follow guide.

## Centre Hinge Positioning



## Overlay Doors

For 110° hinges use set up as per image **1**

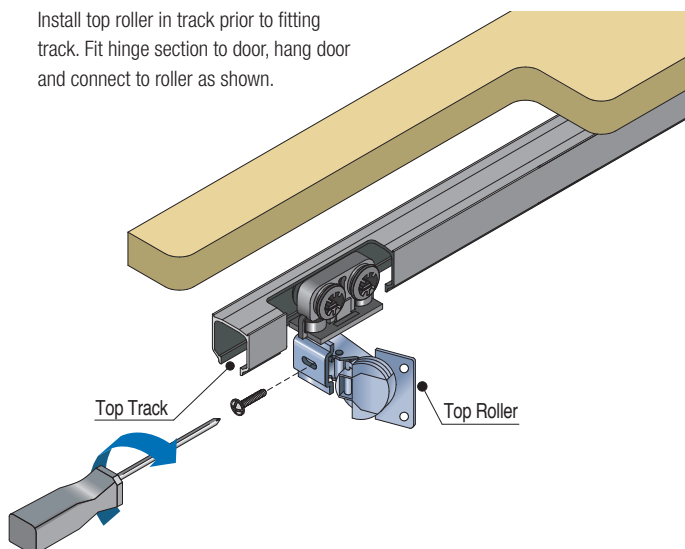
For 90° hinges use set up as per image **2**

## Inset Doors on Butt Hinges

Use set up as per image **1**

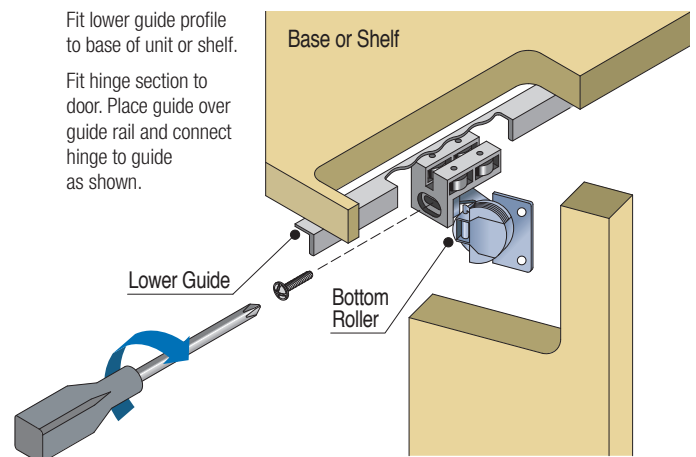
## Top Roller Assembly

Install top roller in track prior to fitting track. Fit hinge section to door, hang door and connect to roller as shown.



## Lower Guide

Fit lower guide profile to base of unit or shelf.  
Fit hinge section to door. Place guide over guide rail and connect hinge to guide as shown.



Runners Sliding Door Systems  
Signal Hill, Lenborough Road, Gawcott, Buckingham MK18 4BU

telephone 01280 822288  
fax 01280 813024  
email sales@runners-sales.com  
www.runners-uk.com

**INSTRUCTION  
GUIDE**

120-120  
120-125  
FurnFold Sliding  
Door System