



multirail™

The multirail™ system from Runners have been carefully developed to provide effective runway solutions for hundreds of applications including spraybooths, material handling, production lines, abattoirs etc., the possibilities are endless.



Key Features

- Limitless configurations available
- Smooth running in operation
- Simple to design and install
- Maintenance Free

Benefits

- Highest quality components
- Improves operational efficiency
- Economical, time saving investment
- Full technical support

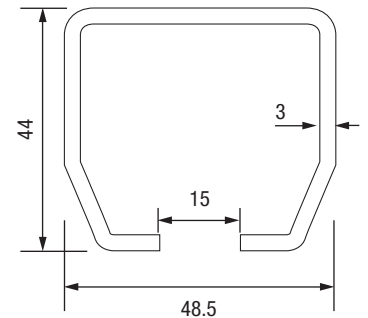
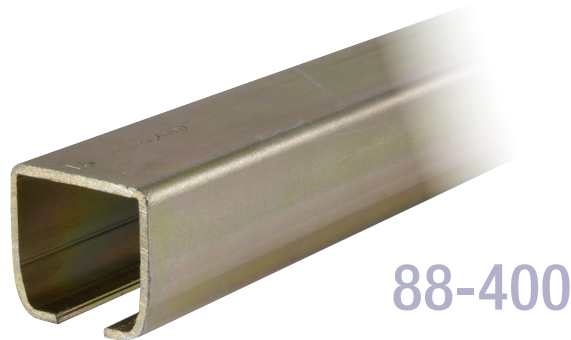
Track

The Multirail™ system is ideally suited to more complex layouts which may incorporate turntables and junctions. The wide range of hangers and support brackets makes Multirail™ a very flexible option for virtually any application.

Straight Track

Tubular Steel Track
 Max capacity: 400kg per metre

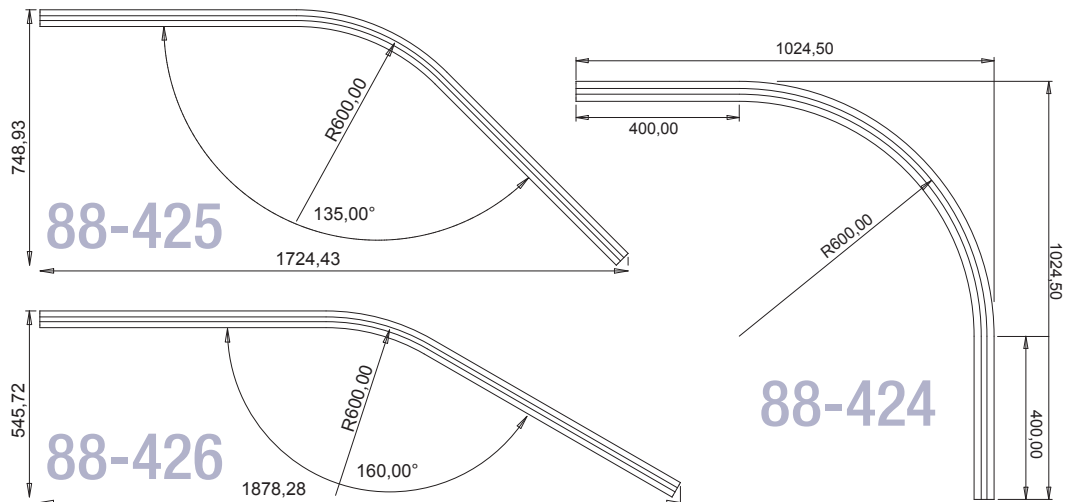
Length	Part No.
3 metre	88-400-3
4 metre	88-400-4
5 metre	88-400-5
6 metre	88-400-6



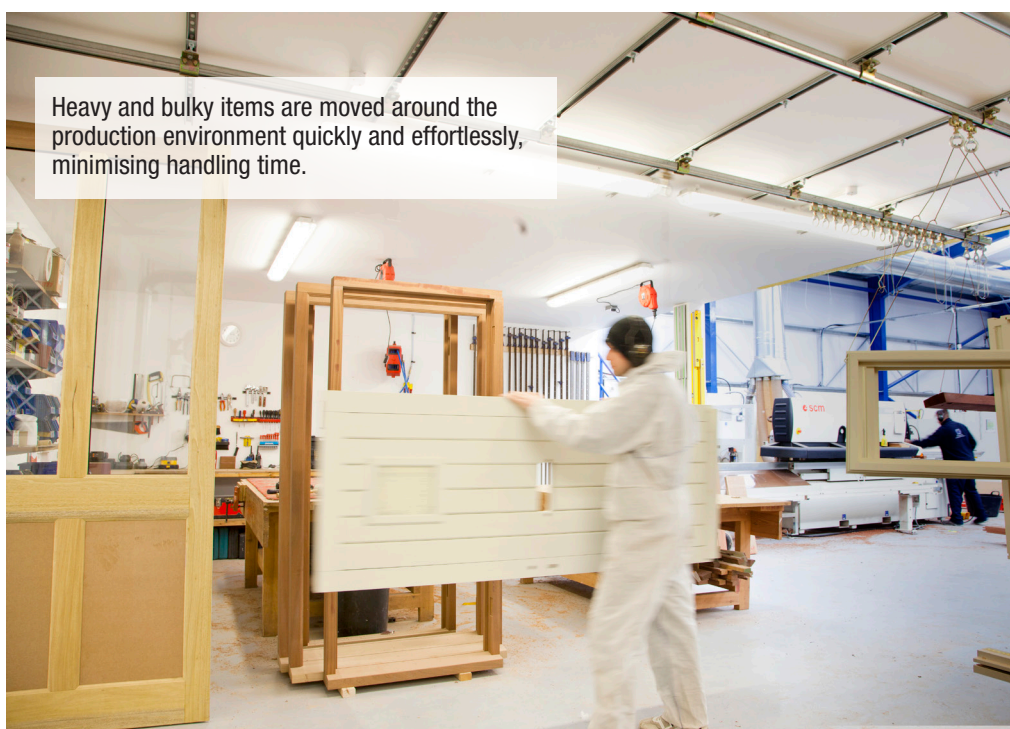
Bends

Tubular Steel Track Bend
 Total linear length: 2 metres

Angle	Part No.
90°	88-424
45°	88-425
30°	88-426



All dimensions are in mm



Heavy and bulky items are moved around the production environment quickly and effortlessly, minimising handling time.



Contact our knowledgeable and friendly staff will be more than happy to talk you through any technical or specification questions you may have

01280 822288 | sales@runners-sales.com

Track Switches



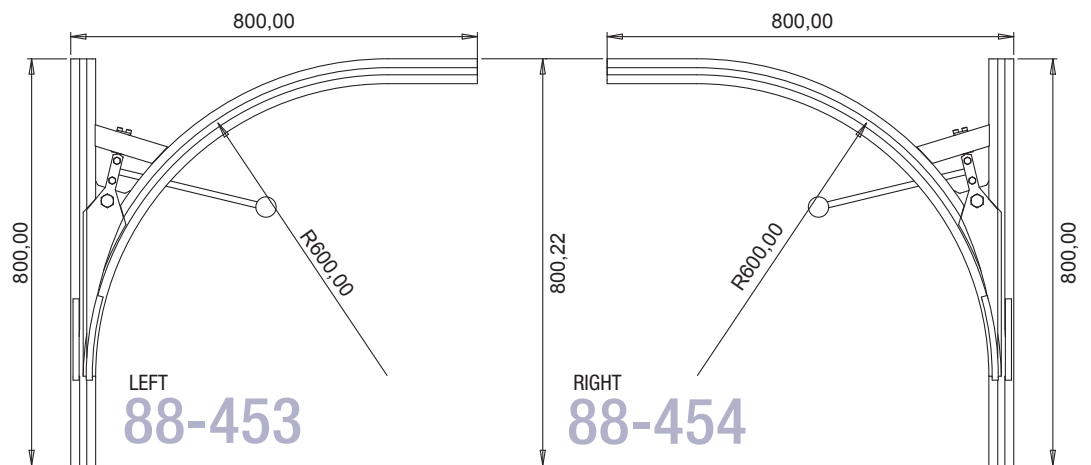
All switches are supplied complete with operating levers as shown in photo.

One Direction Change

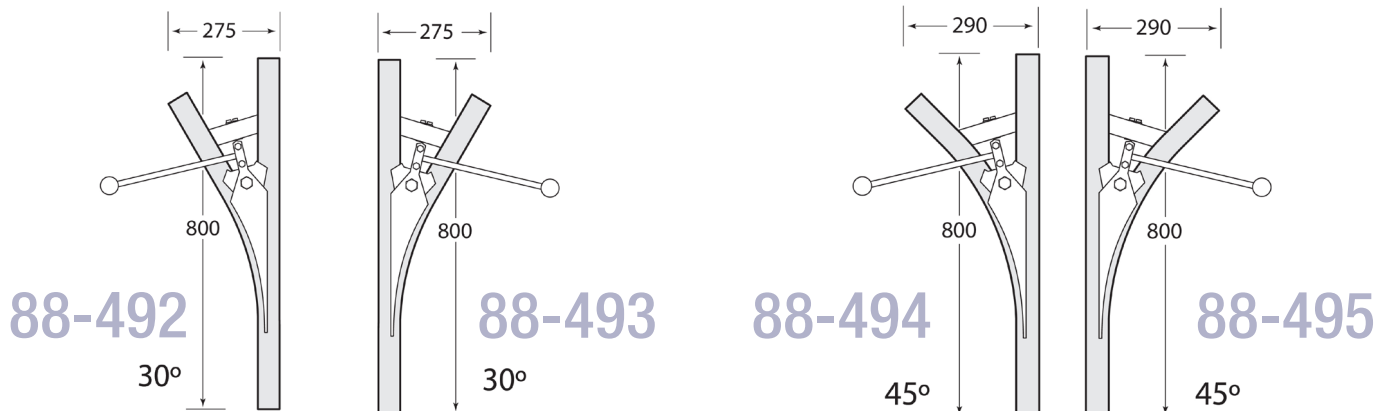
90°	
Direction	Part No.
Left	88-453
Right	88-454

45°	
Direction	Part No.
Left	88-494
Right	88-495

30°	
Direction	Part No.
Left	88-492
Right	88-493

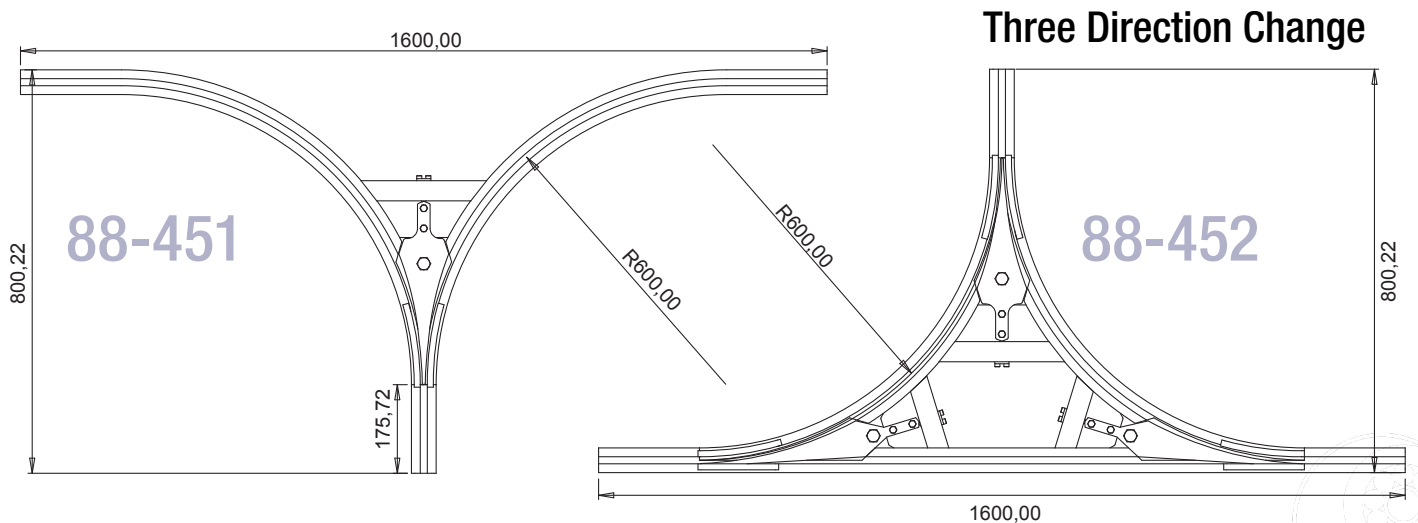
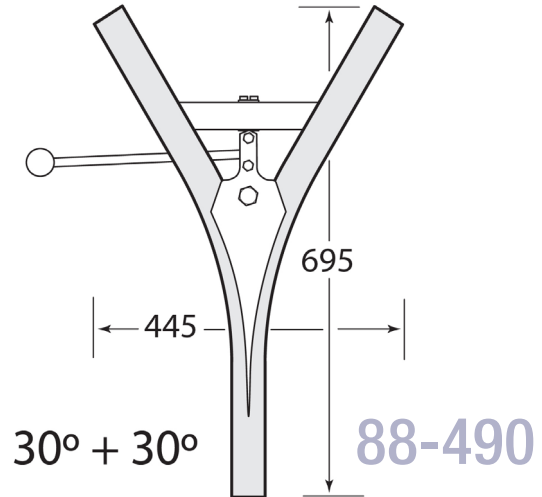
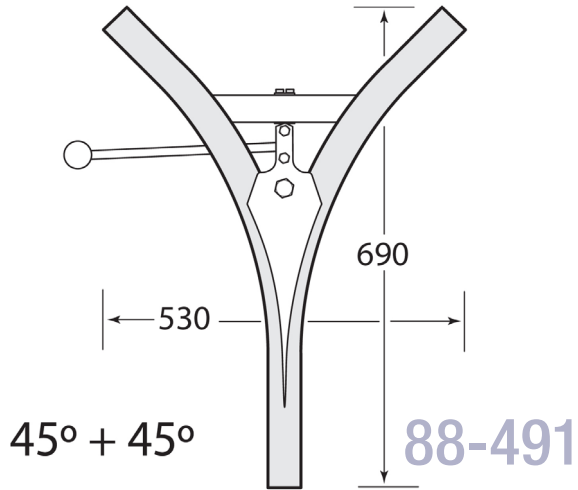


Viewed from underneath
All dimensions are in mm



Track Switches

Two Direction Change

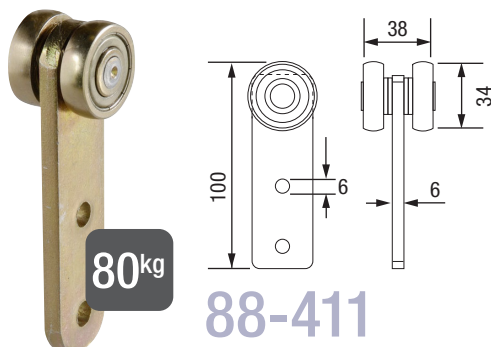


Hangers

Two Wheel Fixed Hanger

Maximum carrying capacity 80kg

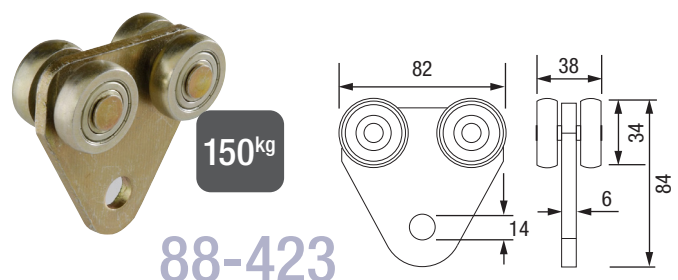
Available in high temperature up to 250° bearing option - 88-411A



Four Wheel Fixed Hanger

Maximum carrying capacity 150kg

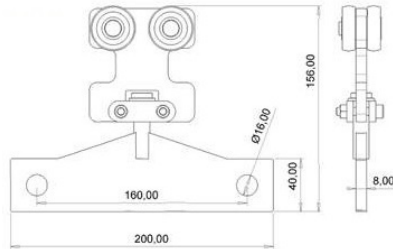
Available in high temperature up to 250° bearing option - 88-432



Hangers

Four Wheel Roller with Friction Rotating Plate

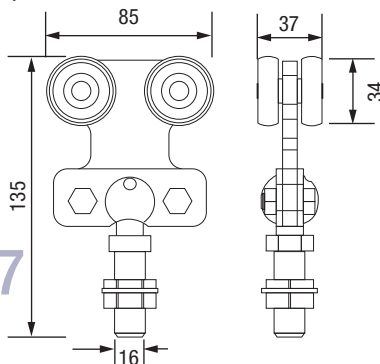
Maximum carrying capacity 150kg



Four Wheel Rotating Hanger

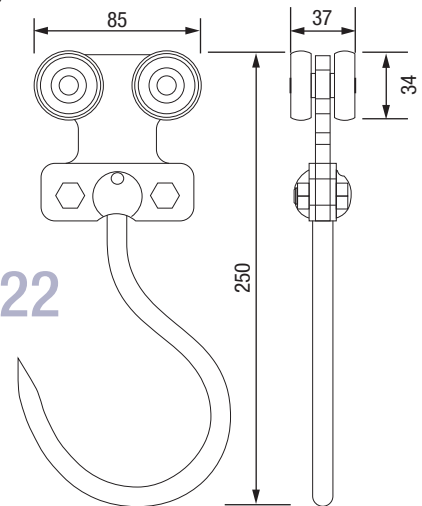
Maximum carrying capacity 150kg

Available in high temperature up to 250° bearing option - 88-418



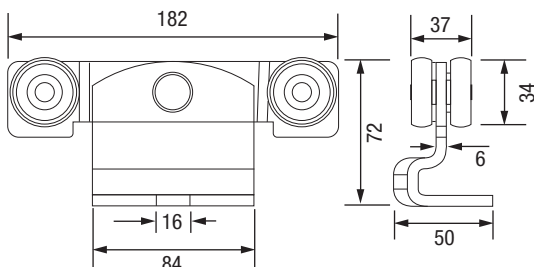
Four Wheel Rotating Hanger with Hook

Maximum carrying capacity 150kg
Stainless Steel Hook

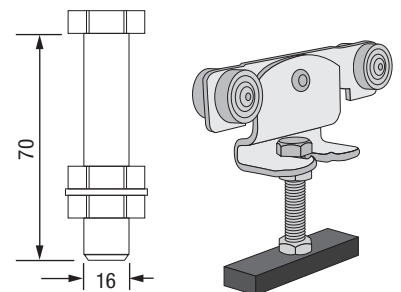
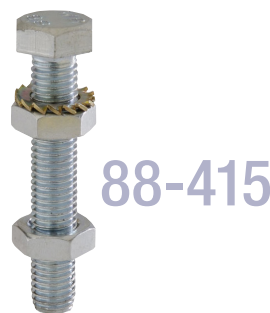


Four Wheel Hanger

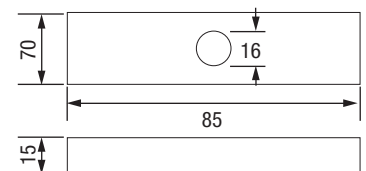
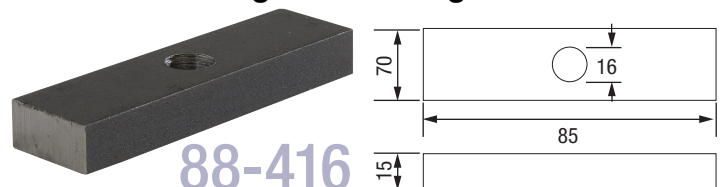
Maximum carrying capacity 150kg



Screw for Hanger

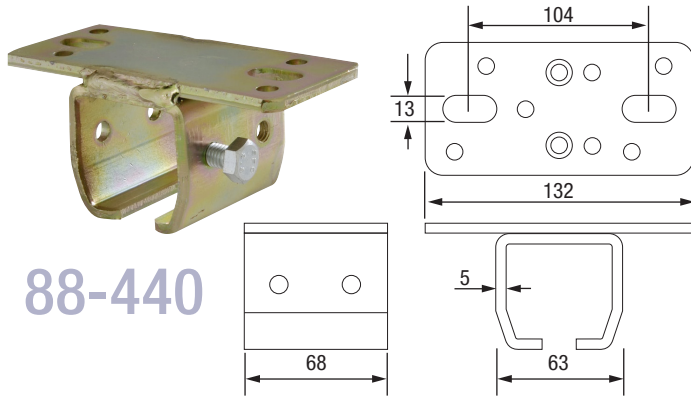


Threaded Fitting for Welding



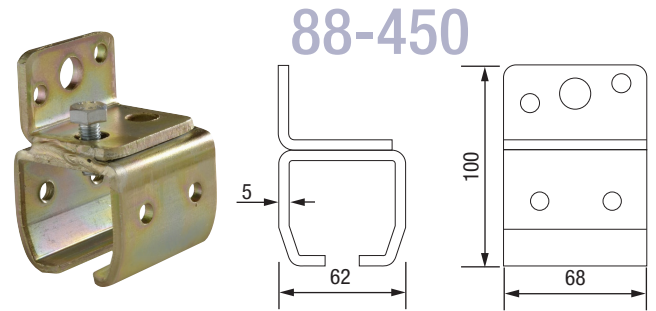
Brackets/Accessories

Ceiling Support Bracket



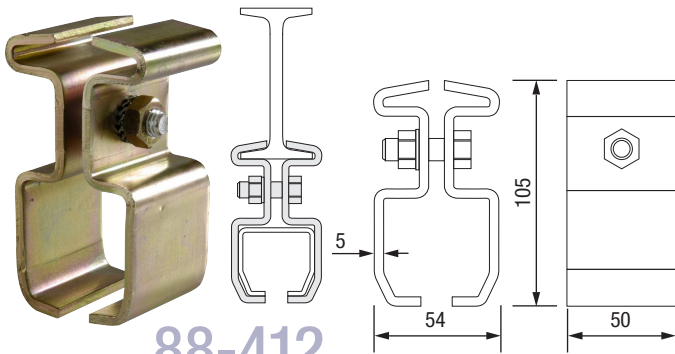
88-440

Wall Support Bracket



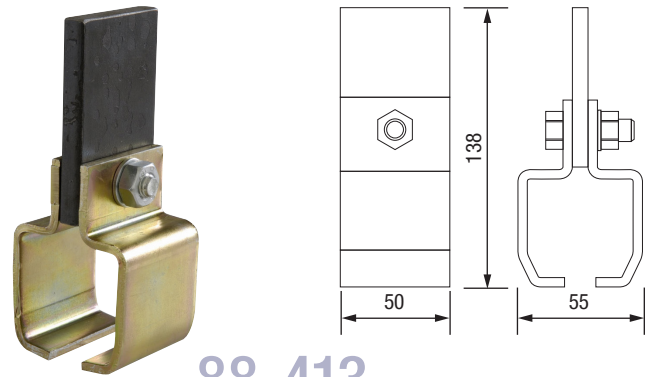
88-450

Split Suspension Bracket



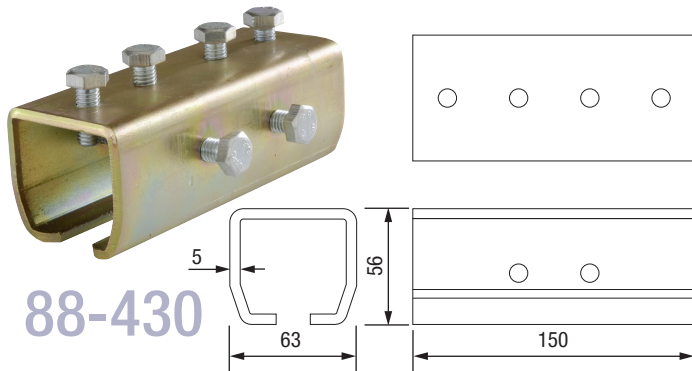
88-412

Split Suspension Bracket for Welding



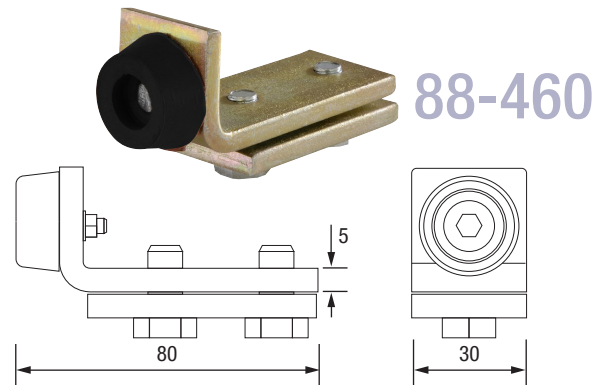
88-413

Track Joint



88-430

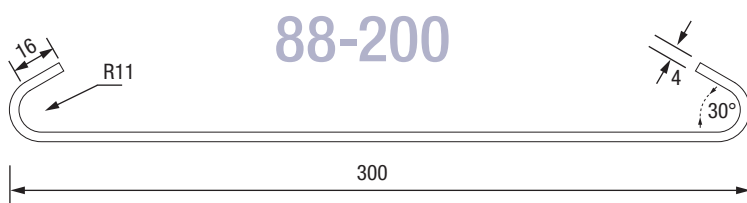
Track Stop



88-460

Accessories

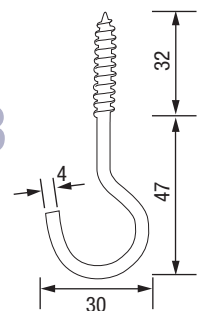
Copper Hanging Wires (pack 50)



88-200

Screw-in Hooks (pack 100)

SCT 483



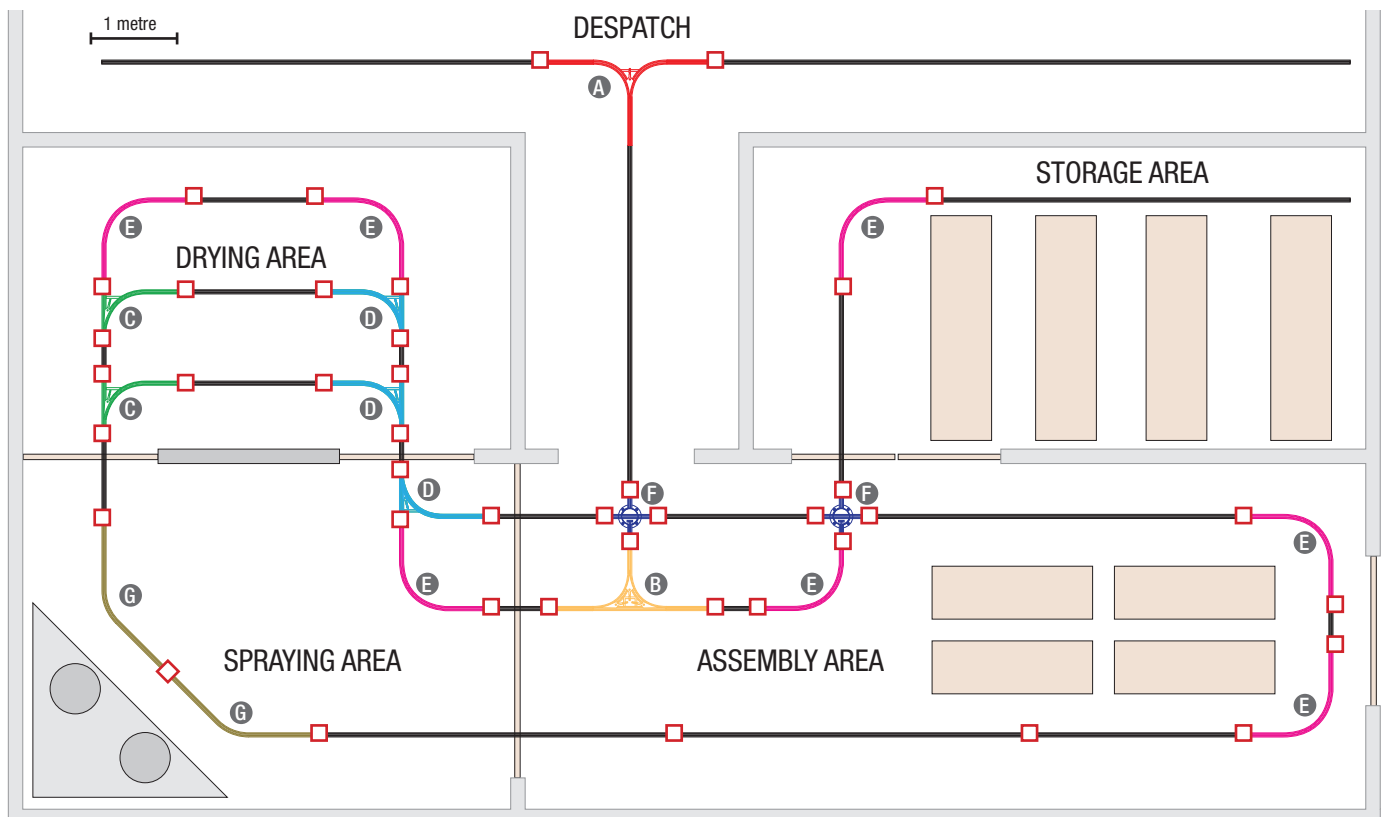
Turntable

Turntable For 4-Wheel Hangers

88-456



Configuration Example



KEY

- A** 88-451 2 direction change
- B** 88-452 3 direction change
- C** 88-454 1 direction change right
- D** 88-453 1 direction change left
- E** 88-424 90° bend
- F** 88-456 4 wheel turntable
- G** 88-425 45° bend
- 88-430 Track joint