

s23 socket box



Above, s23 socket box with bollard. **Right,** installed s23 socket box with paved surround.

description

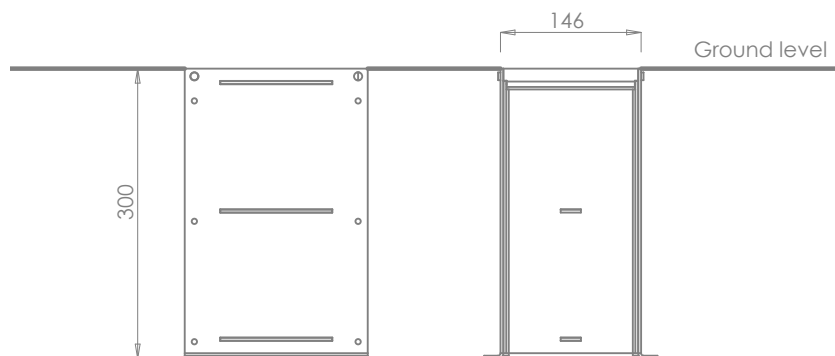
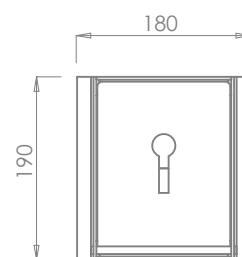
Galvanized steel socket box with hinged lid to receive s23 bollard.

dimensions

Height 300mm, width 180mm, depth 190mm.

options

For use with s23, s26 and s87 bollards.



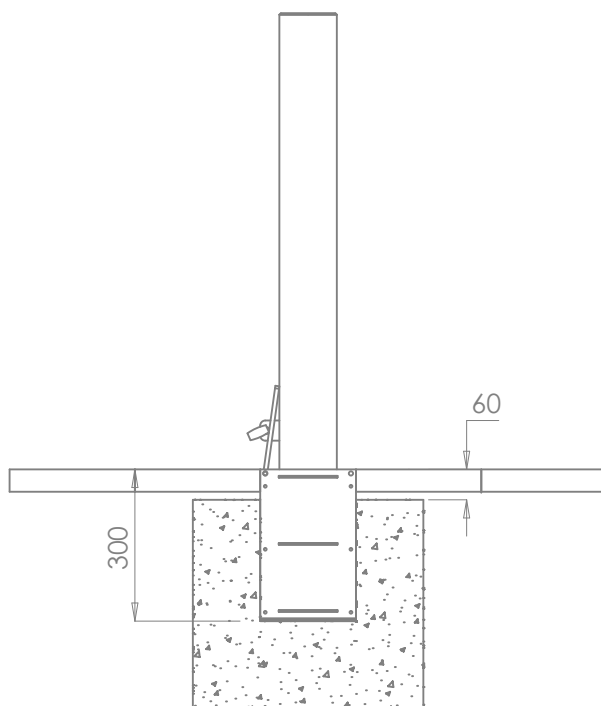
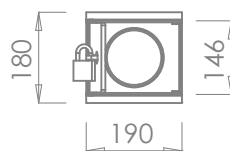
s23 socket box Fixing Instructions

(for areas already paved)

- 1 Set out the position of the bollard/s.
- 2 Where the area has been paved remove sufficient paviors to facilitate excavation.
- 3 Excavate holes to engineer's specification.
- 4 Position socket box precisely ensuring correct position and height (top of socket box should be flush with finished paving level). The bollard may be inserted to check plumb then carefully removed.
- 5 Back fill holes with concrete (35N20) leaving sufficient depth for paving slabs and bedding.
- 7 Where necessary cut the paving slabs and reinstate.
- 8 Render neatly around socket box with non shrink grout, removing any grout residue.

Foundations

Foundations must be to engineers specification. Omos recommends a minimum cube size of 400mm.



Above, fixing details.