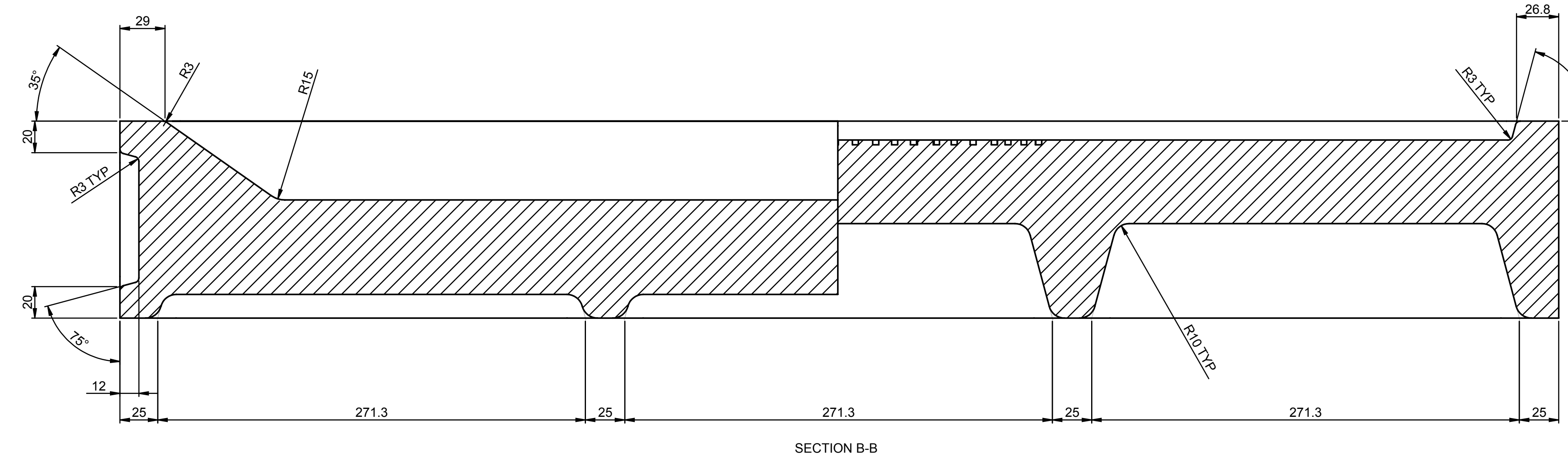
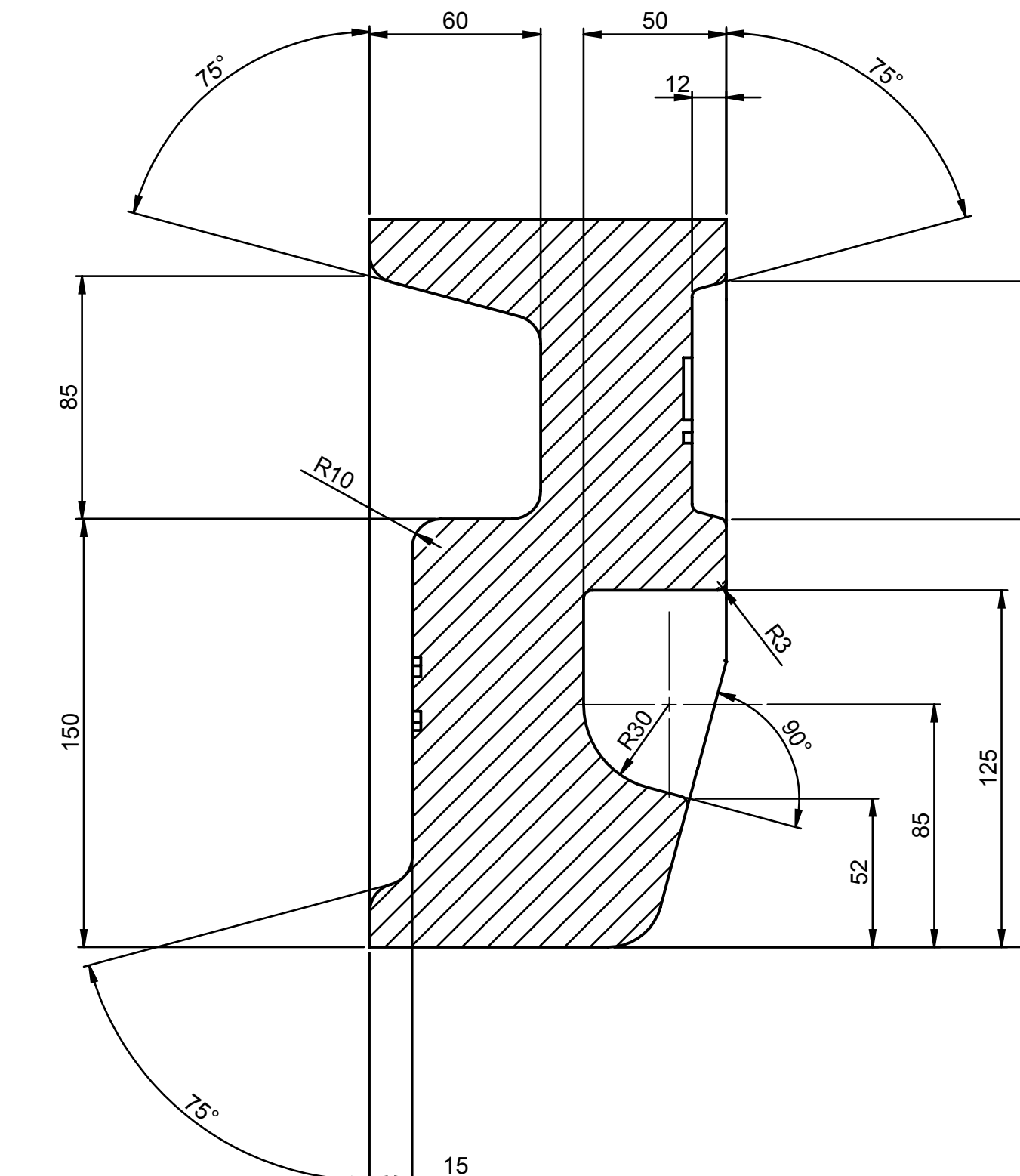
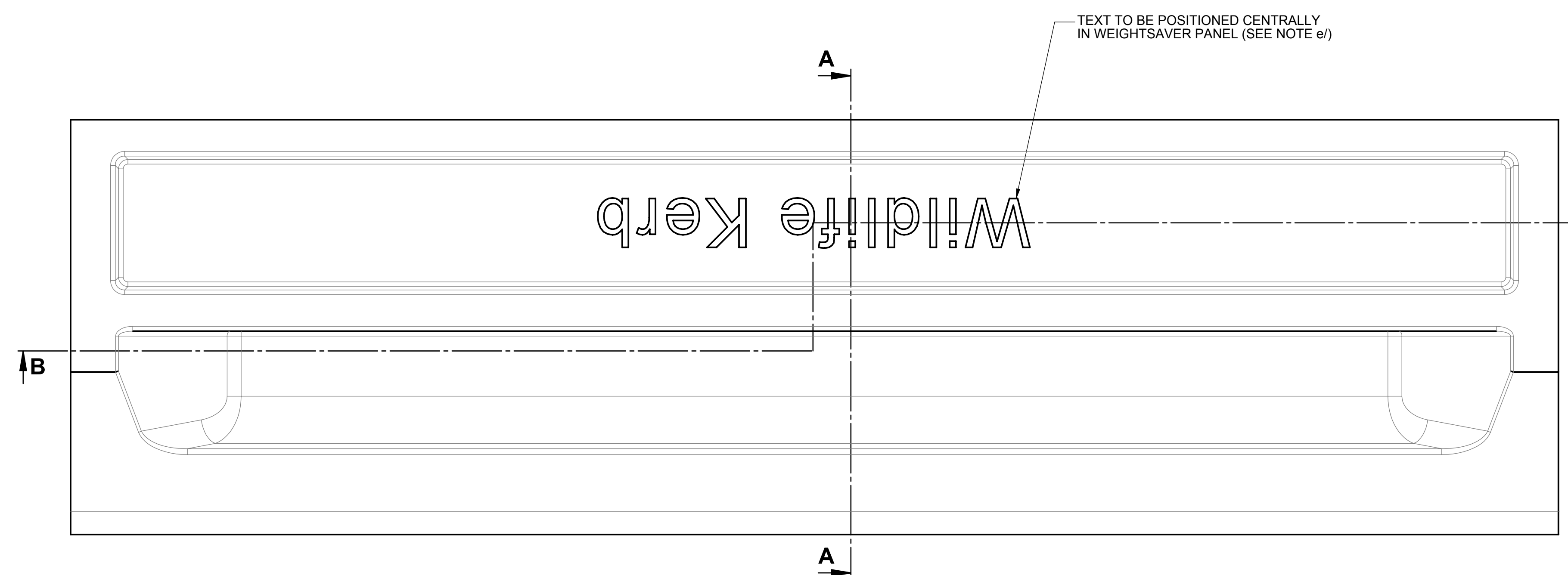


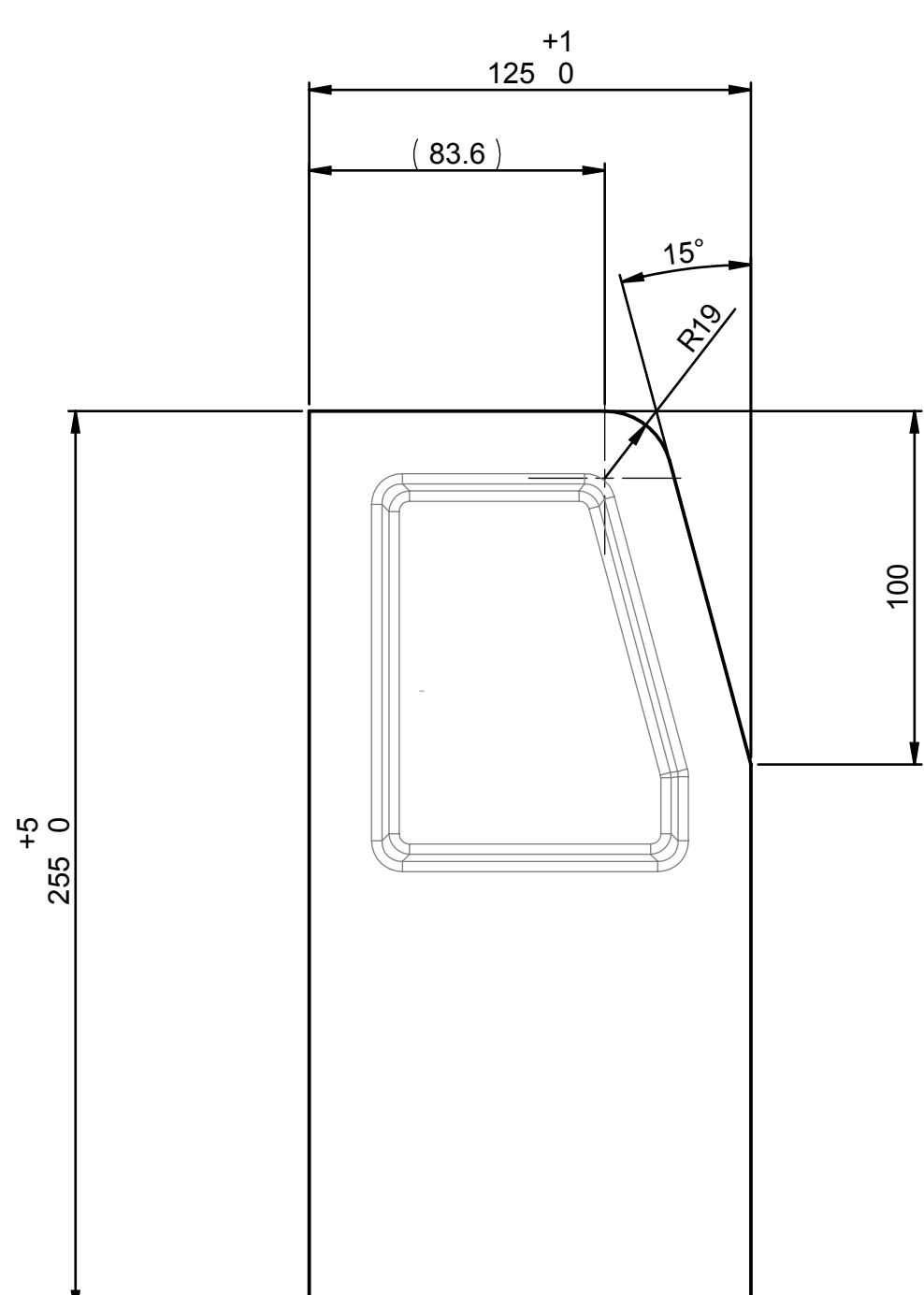
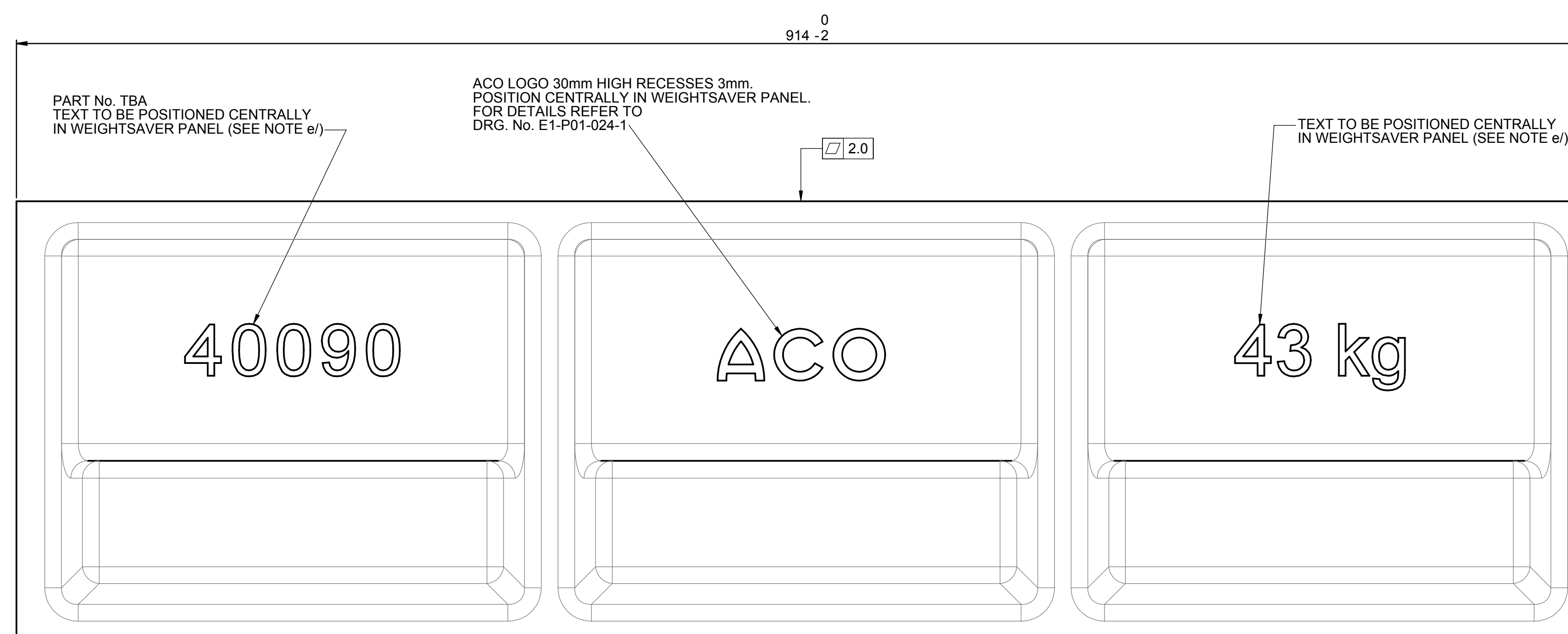
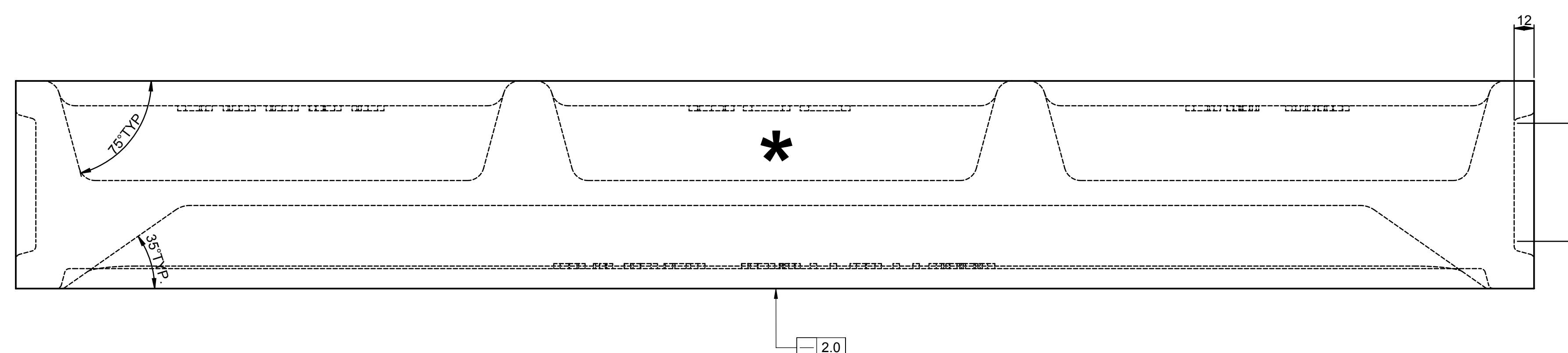
ISOMETRIC VIEW



SECTION B-B



SECTION A-A



LINEAR TOLERANCE EXCEPT WHERE OTHERWISE STATED

OVER	UPTO	TOLERANCE
	10	-0.25
	10 25	-0.50
	25 100	-0.75
	100 500	-1.00
	500	-2.00
ANGULAR		± 1°

NOTES:

- a/ MATERIAL: ON LINE GREY POLYESTER POLYMER CONCRETE
- b/ ASTERISK DENOTES FILLING PLANE
- c/ REMOVE ALL POLYMER FLASH, BURRS AND SHARP EDGES.
- d/ ALL DIMENSIONS TO BE MULTIPLIED BY 1.004 FOR TOOLING PURPOSES TO COMPENSATE FOR POLYMER SHRINKAGE
- e/ TEXT HEIGHT 30mm, RECESSED 3mm INTO PRODUCT SURFACE

Issue	Date	Description	Name
Material	SEE NOTE a/	Weight: 42.7KG	ACO Technologies plc
Tolerance Standard	SEE TOL BOX	Surface Finish: SELF	ACO Technologies plc
Drawn	16.5.2006	Name: NMM	Scale: 1:2
Checked	27.7.2006	Name: NMM	Units: M/M
Updated			Projection: ISO-E
Title: ACO WILDLIFE KERB HB255 x 915mm LONG		Part No.: 40090	Issue: A
Drawing No.: E1-P32-001-1		Replacement for:	Replaced by: