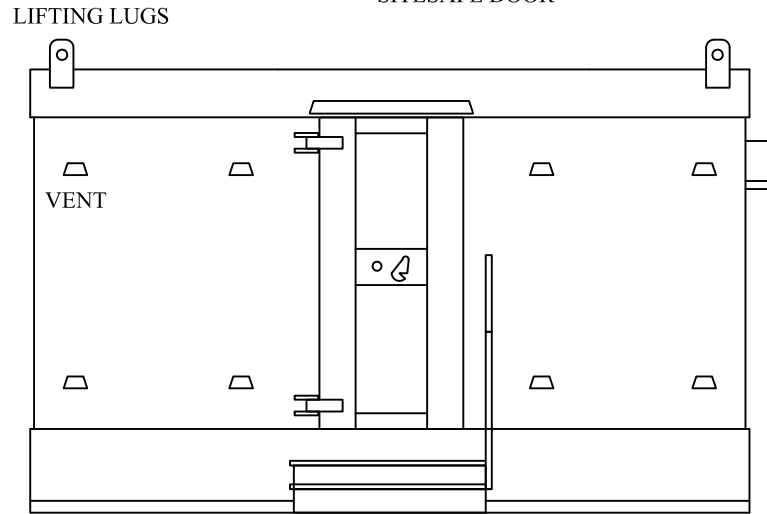
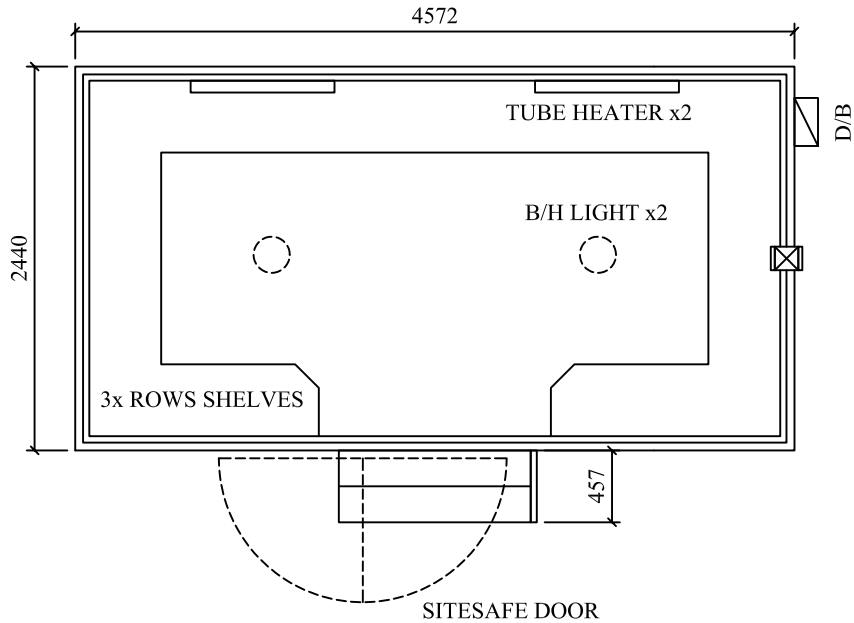
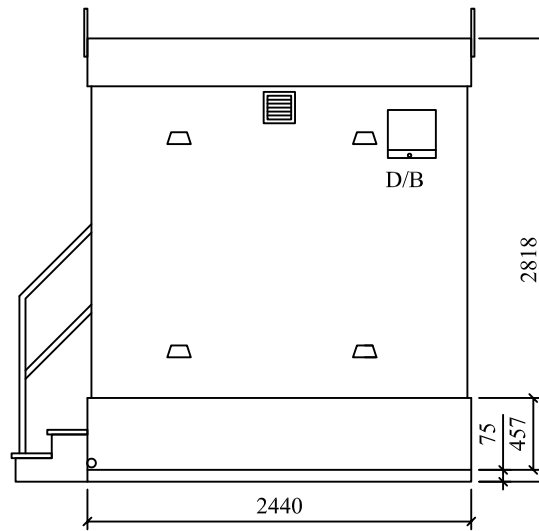


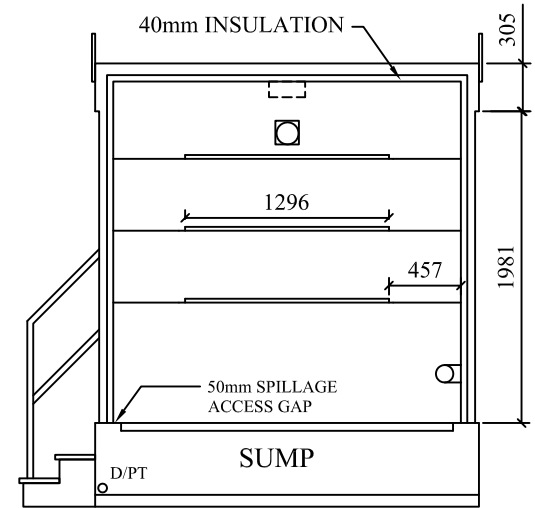
HIGHLY SECURE VANDAL RESISTANT BUILDING



FRONT ELEVATION



SIDE ELEVATION



SECTION

DO NOT SCALE REMOVE ALL BURRS AND SHARP EDGES	 THIRD ANGLE PROJECTION	REV No	DATE	BY	CUSTOMER	CLEVELAND SITESAFE LIMITED RIVERSIDE WORKS CLEVELAND 783 8AT 01642 244663	DRAWN	DESCRIPTION	
		REV 1					JWH		CHEMSAFE 5000 FULL SPEC
		REV 2					SCALE		
		REV 3					DATE		DRG No CHEM5000FSWEB
		REV 4					22.10.04		