



C A B U C H O N[®]

B A T H f o r m s

SERENITY PLUS INSET & UNDERMOUNT BATHS

These baths are supplied with only waste & overflow holes drilled in order to allow options on jobsite in the positioning of spouts, taps, handshowers & whirlpool controls. The only rule is good plumbing.

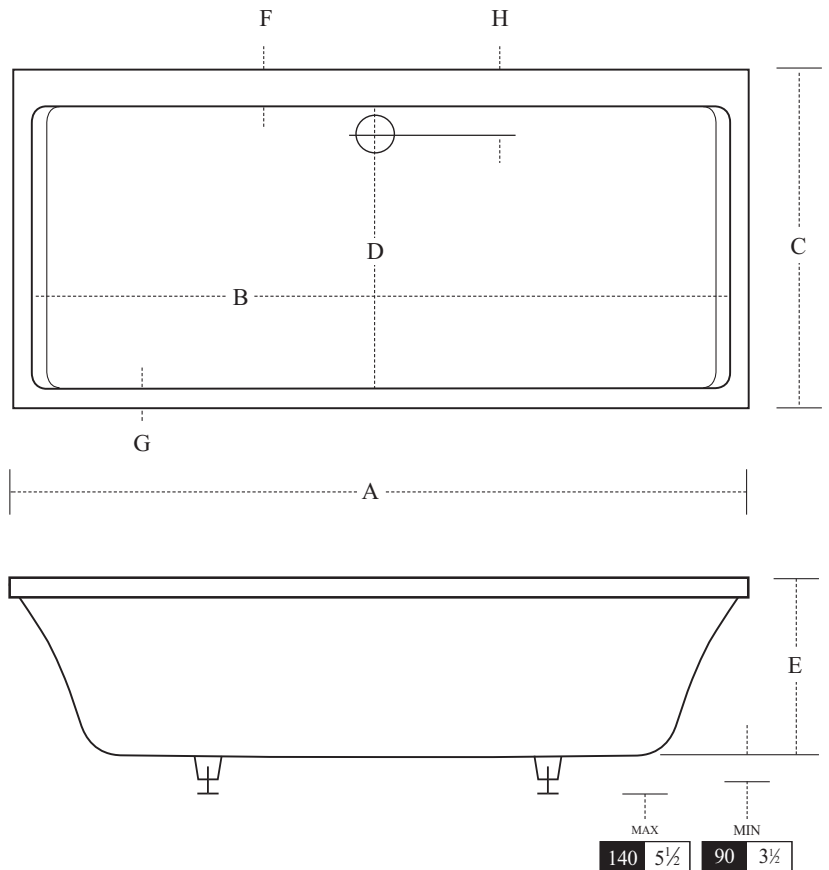
These baths are usable mounted in a deck or undermounted to a deck. Do not support the weight of the bath by its rim on a deck. The bath has four screw adjustable feet allowing a variation in height of 50mm/2". Maximum height of feet is 140mm/5½".

All Cabuchon products are registered designs covered by copyright and the Company, being committed to continuous innovation and improvement, reserves the right to change specifications without notice. Tolerances are + or -3mm.

NORMAL WATER REQUIREMENT – SEE BOX BELOW RIGHT

There are two different sizes of bath.
For dimensions of each size bath see box below left.

KEY TO ALL SIZES: ■ Millimetres □ Inches to nearest ¼"



BATH NAME	1700 plus	1800 plus
A External Length	1700	1800
	67	69½
B Inner Length - Top	1560	1660
	61½	65¼
B Inner Length - Bottom	1050	1120
	41¼	44
C External Width	1000	1200
	39¼	47¼
D Internal Width - Top	820	1020
	32¼	40
D Internal Width - Bottom	720	920
	28¼	36¼
Head Slope Length	70	75
	2¾	3
E Depth	480	480
	19	19
F Rear Rim Width	110	110
	4¼	4¼
G Other Rims Width	70	70
	2¾	2¾
H Waste Location from rim exterior	260*	210*
	10¼	8¼

Because Serenity baths are primarily inset or undermount we do not supply standard panels.

If commissioned to do so we can provide bespoke panels - either loose (but in one piece no matter how many sides, to ensure stability and rigidity) or as an integral part of the bath's body - if the objective is to make the bath free standing. This is illustrated on the website www.cabuchon.com

Size	Litres	Imperial Gal.	US Gal.
1700 plus	377	82	99
1800 plus	489	107	129

*Note: On the 1700 Plus the waste/overflow is on the widest rim length.
On the 1800 Plus the waste/overflow is on the narrowest rim length.