

# Bicycle stand C 300

Bicycle stand concrete-in/bolt-on | data sheet

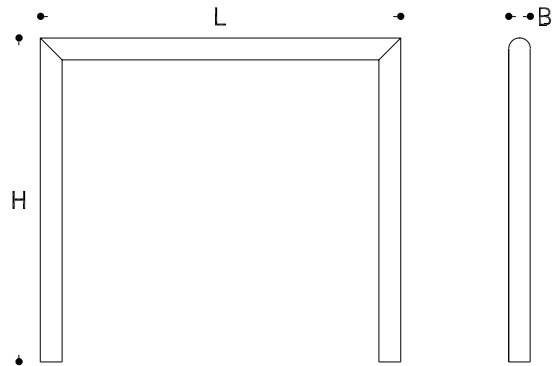
**BENKERTBÄNKE**  
erkennbar langlebig



# Bicycle stand C 300

Bicycle stand concrete-in/bolt-on | specification

**BENKERTBÄNKE**  
erkennbar langlebig



Length (L/mm)	Width (B/mm)	Height (H/mm)
1000	60	900

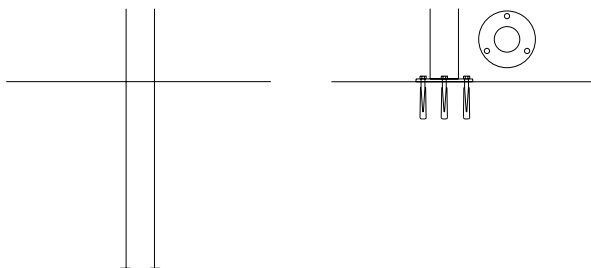
## Material

V2A-stainless steel DIN4301 powder-coated according to colour list

## Ground anchor

Concrete-in  
Installation depth (mm): 400

Bolt-on  
Installation depth (mm): 80



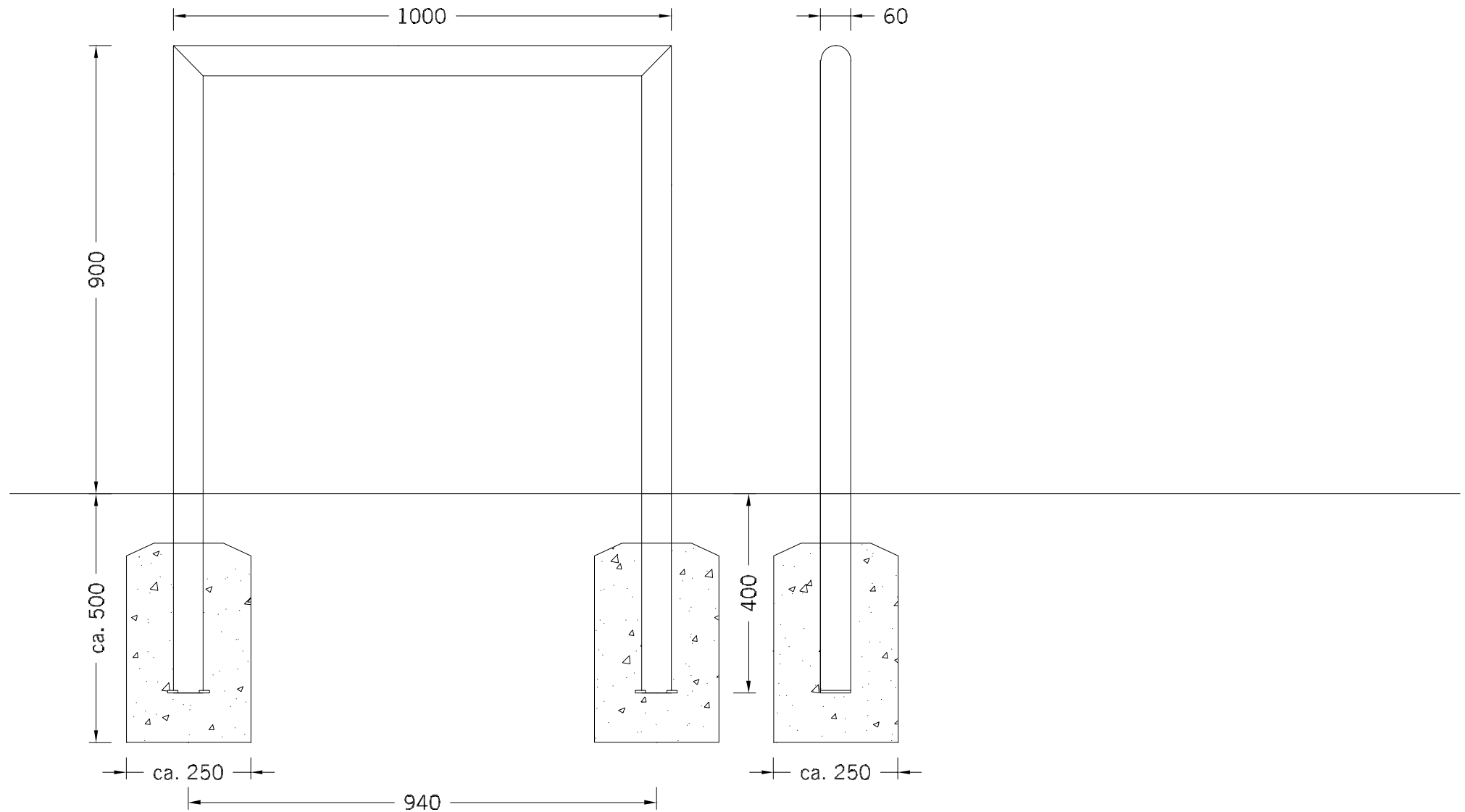
## Colour list for all powder-coated metal parts

metallic silver	metallic grey	metallic black
DB 701	DB 703	
RAL colours	structure pure white RAL 9010	structure black
structure reseda green RAL 6011	structure green	structure fir green RAL 6009
structure blue	structure grey blue RAL 5008	structure red
structure yellow	structure olive yellow RAL 1020	structure red brown RAL 8012
structure pearl copper RAL 8029	structure pearl beige RAL 1035	



# Bicycle stand C 300

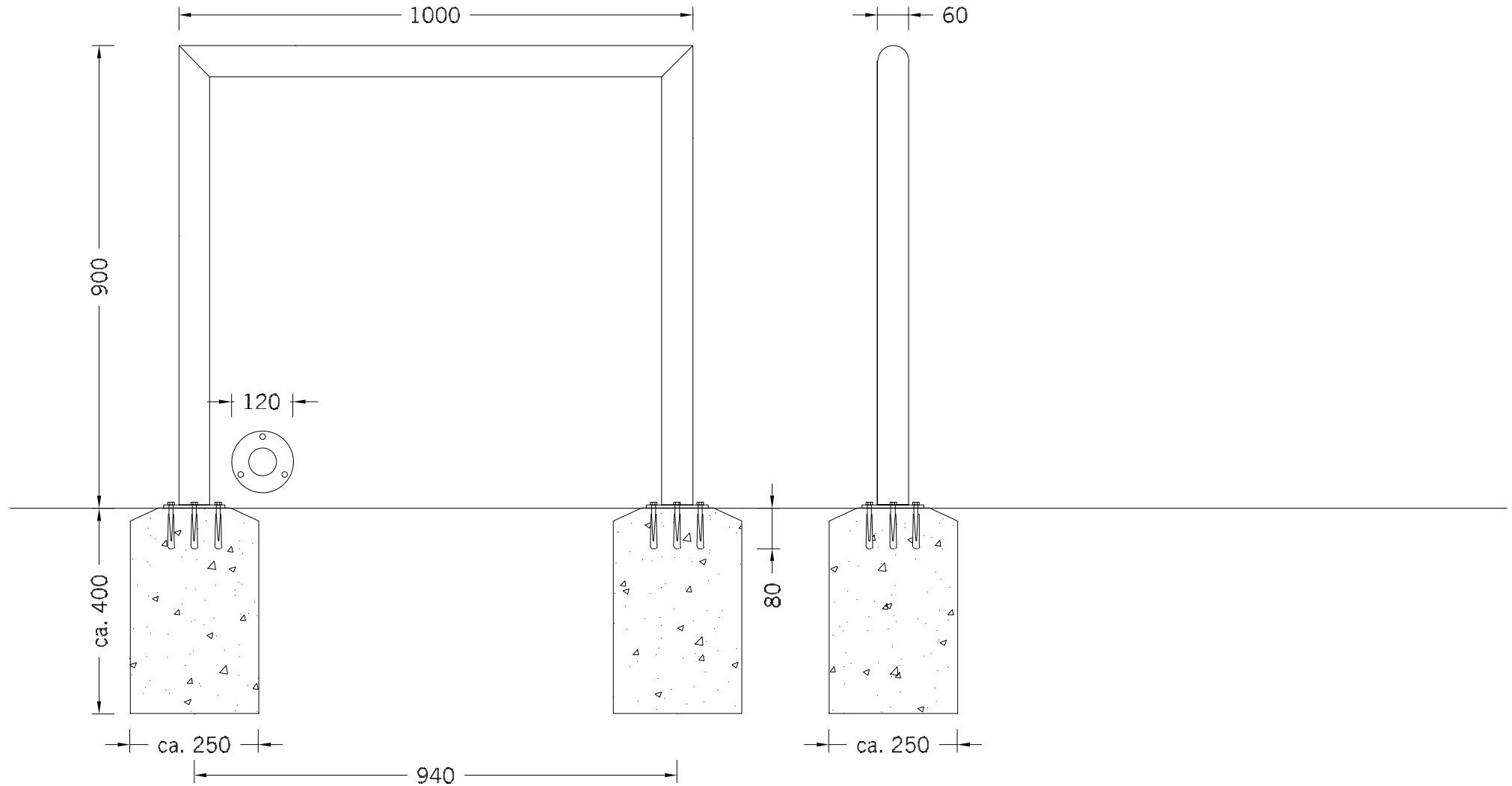
Bicycle stand concrete-in/bolt-on | foundation drawing for concrete-in



Foundations are depending on local conditions - no responsibility is taken for the correctness of this information

# Bicycle stand C 300

Bicycle stand concrete-in/bolt-on | foundation drawing for bolt-on



Foundations are depending on local conditions - no responsibility is taken for the correctness of this information