

# COMFONY 10

Stool bench without armrests

**BENKERTBÄNKE**  
innovatives Freiraummöbel





# COMFONY 10

Stool bench without armrests

**BENKERTBÄNKE**  
innovatives Freiraummöbel



# COMFONY 10

Stool bench without armrests

**BENKERTBÄNKE**  
innovatives Freiraummöbel



## Technical Details | Dimensions

L / Length	2010
W / Width	610
H / Height	465
SH / Seat height	465



**Frame** Stainless steel type 304 | powder-coated

1. metallic silver
2. structure black
3. DB703 fine structure iron ore anthracite
4. DB601 fine structure green
5. RAL colour smooth matt - as available



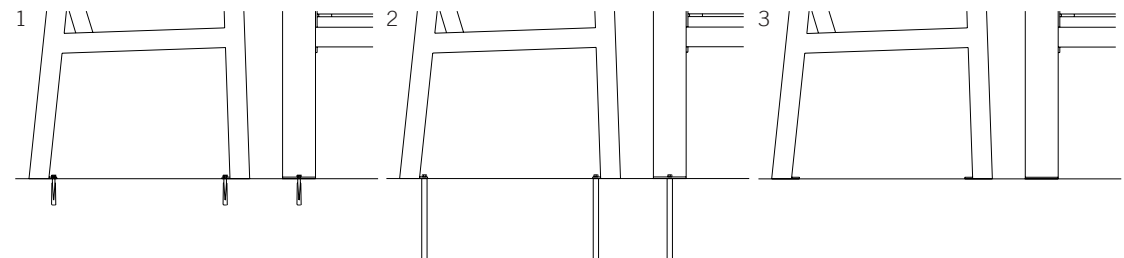
**Seat** Slats consisting of aluminium core with a PET-thermo-sheath | impact-resistant | UV-resistant

1. grey-green
2. grey-brown
3. RAL 6011 reseda green
4. RAL 7038 agate grey
5. RAL 8012 red brown
6. RAL 9002 greywhite



## Installation

1. Bolt-on, installation depth 80mm
2. Concrete-in, installation depth 250mm
3. free positioning



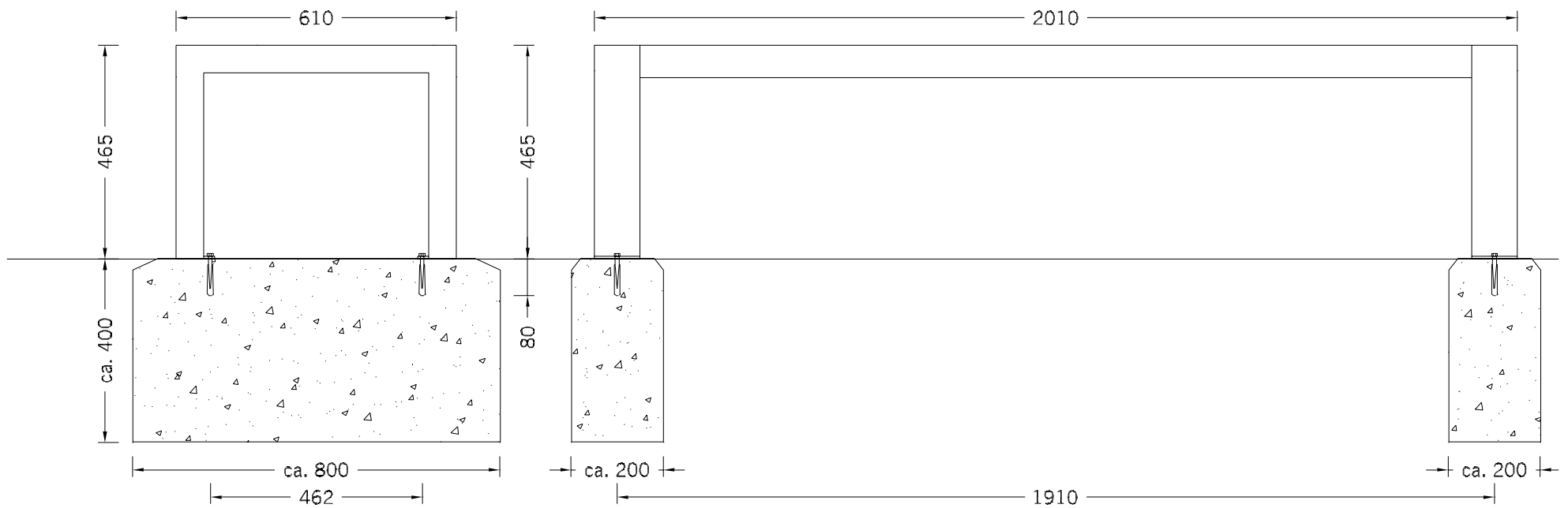
Special ground anchors available on request (subject to a price extra). Installation points concealed below ground level – for bolt fixing to equalise slopes or for height adjustment so that older people can sit correctly.

# COMFONY 10

Stool bench without armrests

**BENKERTBÄNKE**  
innovatives Freiraummöbel

**Installation** Bolt-on, installation depth 80mm



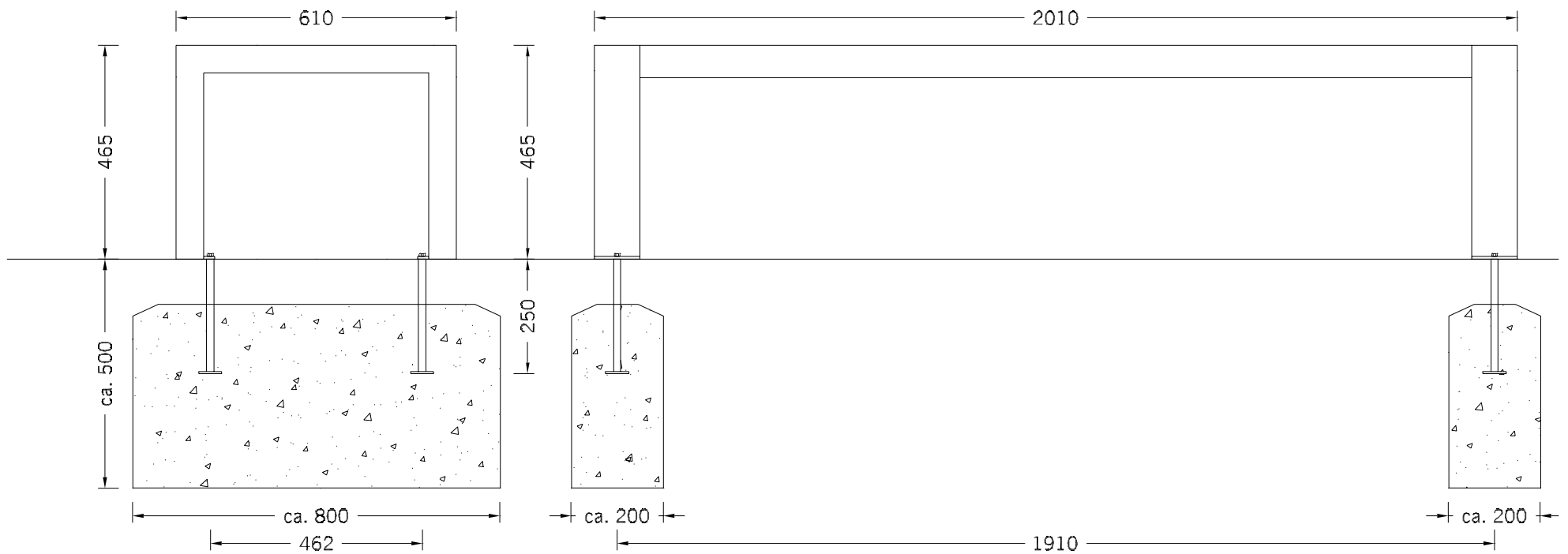
Fundamente sind abhängig von örtlichen Gegebenheiten - Dies ist nur ein Vorschlag ohne Gewähr

# COMFONY 10

Stool bench without armrests

**BENKERTBÄNKE**  
innovatives Freiraummöbel

**Installation** Concrete-in, installation depth 250mm



Fundamente sind abhängig von örtlichen Gegebenheiten - Dies ist nur ein Vorschlag ohne Gewähr