

| | |
|---------------------------|-------------|
| Uniclass L4233 | EPIC D23 |
| CI/SfB (31.49) X (U47) | |



CHARTER
INTEGR8
innovative roller shutters

The architecturally advanced range of built-in shutters



Introduction

Charter Specialist Security is an industry leader of built-in roller shutters for the new build and renovation markets, offering the discerning specifier an innovative range of integrated security solutions.

The Charter-Integr8 design concept is based on shutter mechanics integrated into the fabric of the building, ensuring unobtrusive and enhanced aesthetics with increased security.

With a design based on tried and tested technology, the Charter-Integr8 system can be incorporated into any project to provide a cost effective security solution.

Charter-Integr8 systems cater for the latest in construction technology, including traditional, timber frame and off site modular construction. Popular applications include schools and colleges, health and welfare facilities, community and sports centres, commercial and prestige residential developments.

Charter can supply CAD details on request and routinely provides an extensive client support service. Assistance is available from the project inception, throughout the build process and beyond.

Features

- Architecturally advanced systems
- Concealed and effective security
- Enhanced aesthetics
- Value engineered technology
- Complete technical support

At Charter we understand our clients, offering technical support and assistance from project inception, throughout the build process and beyond.

Charter believes in a programme of continued product development that gives the discerning specifier the optimum in shutter technology. With dedicated manufacturing capacity and fully qualified on-site engineers, client satisfaction is a prime commitment.

Charter boasts a wealth of experience in the market place, with complete product specifications and an AutoCAD library of the Charter-Integr8 range available.



Silwood Community Centre - London



Newark Primary School
Port Glasgow



Largs Academy - North Ayrshire

Crime and Prevention

Crime in England and Wales

Statistics from the British Crime Survey (BCS) show that the majority of crime for the UK is property related.

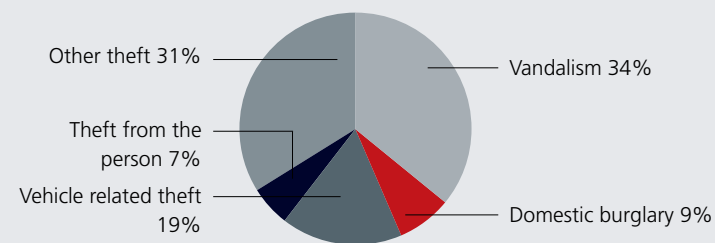
Vandalism accounts for 27% of all BCS crime (two-thirds of which is vehicle vandalism) and criminal damage accounts for one in five (21%) of crimes recorded by the police.

The chart below shows different property offence types for police recorded crime and the BCS. The picture for police recorded crime and the BCS is broadly similar but their coverage differs. However, vandalism/criminal damage and burglary account for the vast majority of offences in both cases.

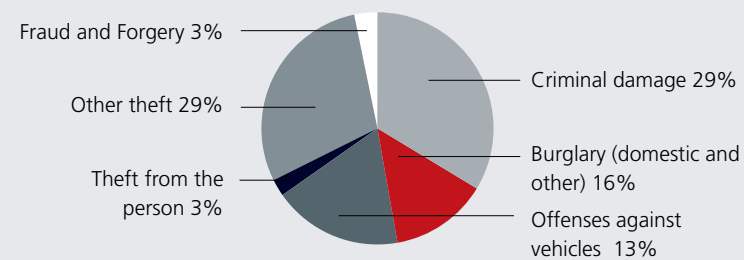


BCS and police recorded property crime by offence

British Crime Survey



Police Recorded Crime



Differences in BCS and police recorded crime.

Differences in the profile of offences between the two sources are influenced by the different coverage of the BCS and police recorded crime. For example, recorded crime includes crime experienced by under-16s and crime associated with commercial premises - the BCS does not. Some crimes are more likely to be reported and recorded than others, overall less than half of BCS crime is reported to the police.



Sectors

In recent years, there has been a general trend to increase building security. Many sectors have adopted higher standards because of the perceived increase in the vulnerability to crime of both building inhabitants and contents. Healthcare and education premises are particularly sensitive in this respect, while higher value residential property is invariably considered to be at greater risk, particularly in urban areas.

Healthcare

The healthcare sector faces a difficult challenge. It must allow visitors and employees a large degree of freedom of access, while at the same time protecting sensitive areas from unauthorised entry. Located in the heart of communities, the buildings can become the subject of unwanted attention when unattended. Given the potential for opportunist crime throughout what are often large sites and buildings, even areas of low sensitivity may require a high standard of protection, particularly as security staffing levels are often low.



Education

Security is a prime concern to education authorities, given the duty of care to pupils and the potential for class disruption in the event of burglary or theft. Equipment and documents may not be immediately replaceable, and the need to do so will inevitably place pressure on budgets. Ultimately, this may also have an adverse effect on the level of confidence in and education provided by a school. Vandalism and unauthorised entry remain a major problem. Unprotected doors, windows and rooflights are prime potential entry points, and even unsuccessful attempts to break in invariably necessitate remedial work. Malicious damage, attempted arson and theft of electrical equipment provide strong motivation for opportunist crime.



High specification housing

Figures taken from the Domestic Burglary Crime Statistics, show that burglary accounts for 7% (733,000 offences) of all British Crime Survey (BCS) crime, and 12 per cent of total police recorded crime. Regardless of whether entry is successful or not, this does not take account of damage and psychological impact on victims. High specification housing represents a significant target for would-be intruders and as statistics show, the households most at risk, regardless of location and demographic, are those with no home security measures.

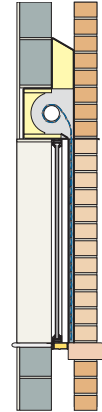
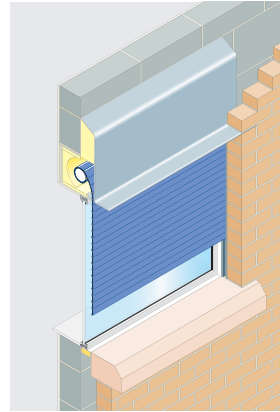


Range Summary

Charter-Integr8 180LS Combined Lintel Shutter System

A unique, innovative and integrated design solution that incorporates a security shutter system within a structural lintel and cavity closer. When the shutter is in the raised position, the window or door opening looks no different from any other structural opening. In the lowered position, the system gives a secure barrier against intruder and vandalism attack.

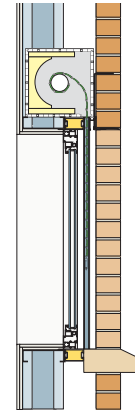
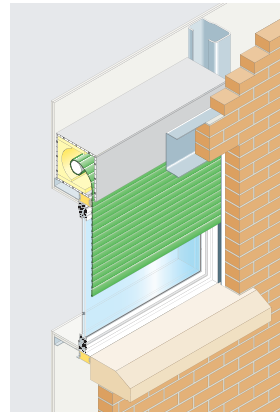
p.10-11



Charter-Integr8 180BL Concealed Shutter System

The Charter-Integr8 180BL offers an optimum solution for fast track build styles including timber frame, steel framed system and off site modular build. The system assists in addressing all aspects of thermal bridging, damp proofing and Building Regulation compliance.

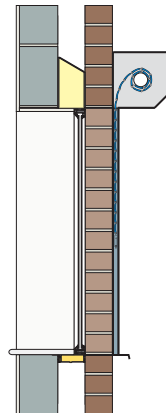
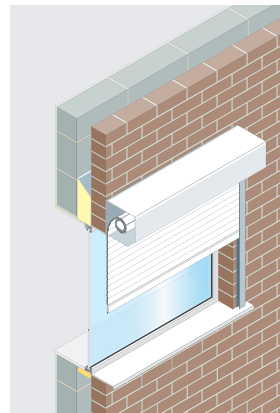
p.12-13



Charter-Integr8 180C Bolt-On Shutter System

A retro-fit solution for security upgrades to existing buildings. The system has a compact, low profile design mounting which minimises overall visual impact on the building. Very adaptable and versatile, the Charter-Integr8 180C can be mounted on almost any existing substrate.

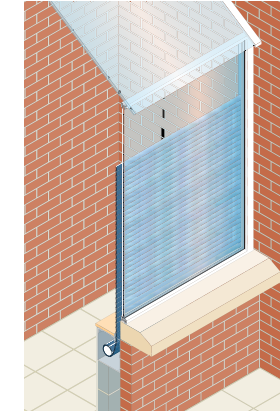
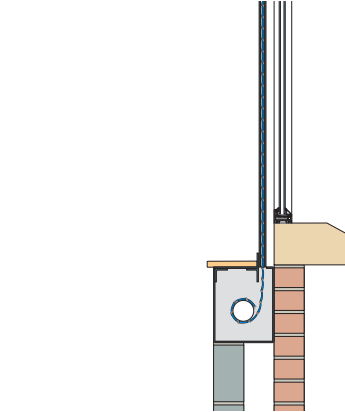
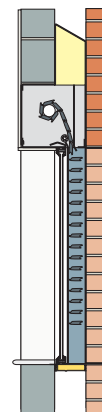
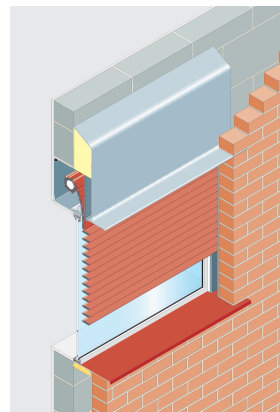
p.14-15



Charter-Integr8 180BS Combined Brise Soleil Shutter System

A unique combination of physical security and solar control, protecting against solar gain and glare. The Charter-Integr8 180BS can either be housed within a lintel (as shown) or fixed direct to the existing structure.

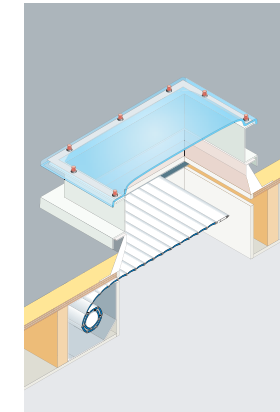
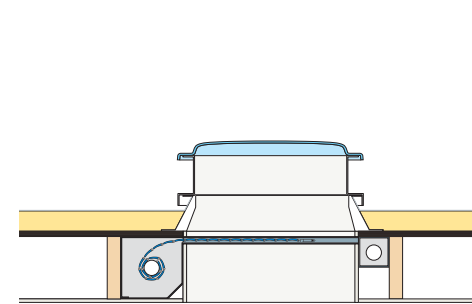
p.16-17



Charter-Integr8 180V Vertical Rise Shutter System

This system solves the problem of providing security shutters for conservatories and glazed architectural features, or where there is limited room to mount the shutter headbox. The shutter hood is instead located in a concealed base mounting and the shutter raised vertically from low level.

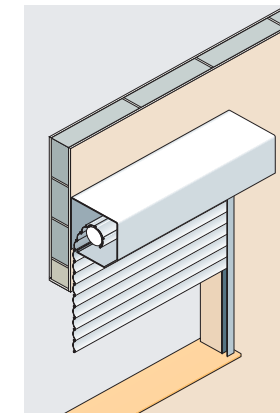
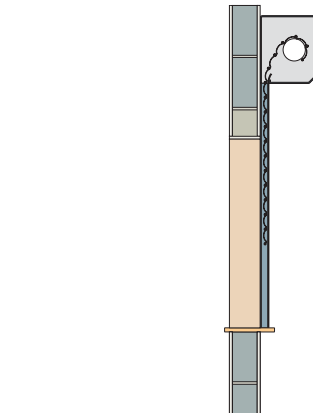
p.18



Charter-Integr8 180R Horizontal Rooflight Shutter System

Rooflights often provide easy access for intruders. The Charter-Integr8 180R maintains all the benefits of natural daylight and provides the peace of mind of security against unlawful entry. The Charter-Integr8 180R can be built in to the rooflight surround/cornice providing an effective and unobtrusive solution to rooflight security.

p.19



Charter-Integr8 180FR Fire Rated Roller Shutter System

Charter-Integr8 180FR fire rated roller shutters are tested to BS 476 with 2 hour ratings, regularly specified for kitchen/high risk areas to protect against fire. The system can be installed both internally and externally, in new build or existing structures and is designed to assist in the building's fire strategy.

p.20-21

Features

- High security twin wall extruded aluminium profiles
- All aluminium is polyester powder coated to any standard RAL/BS colour or anodised
- Systems motorised with 5 year warranted motors with option for manual override facility
- All side guides incorporate brush seals to ensure a quiet operation
- Bottom rail sections incorporate slimline rubber gaskets to seal onto window/door sills
- Vissio 20 and Vissio 50 lath profiles available to allow vision and airflow
- Maintenance contracts and after sales care available

Components and Accessories

Profiles

The Charter-Integr8 range of security shutters are manufactured from extruded aluminium profiles, maintaining the highest levels of security and enhanced aesthetics. The aluminium profiles are polyester powder coated to any RAL/BS colour offering a 25 year warranty.

Compact profile

The Compact lath profile ensures a very high level of security, incorporating a unique reinforcing rib in section. The lath profile can be used across the Charter-Integr8 range for openings up to 4000 mm wide.



Vissio 20 Profile

The Vissio 20 profile offers 18% vision and airflow through the shutter comprising a perforated lath solution. The profile offers a medium level of security for openings up to 4000 mm wide, can be combined with the Compact profile and includes a polycarbonate infill for added strength.



Vissio 50 Profile

The Vissio 50 profile offers 48% vision and airflow through the shutter comprising a machined lath solution. The profile offers a medium level of security for openings up to 4000 mm wide, can be combined with the Compact profile and includes a polycarbonate infill for added strength.



Ultra Profile

The high strength profile for openings up to 7000 mm wide ensuring maximum security for added peace of mind.



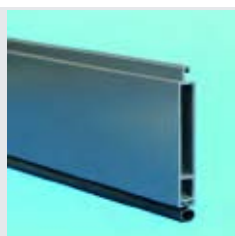
Charter-Integr8 Side Guides

The Charter-Integr8 range of side guides ensures concealed fixing solutions, incorporates brush seals to eliminate ingress of debris and water and ensures smooth and quiet operation of the shutters.



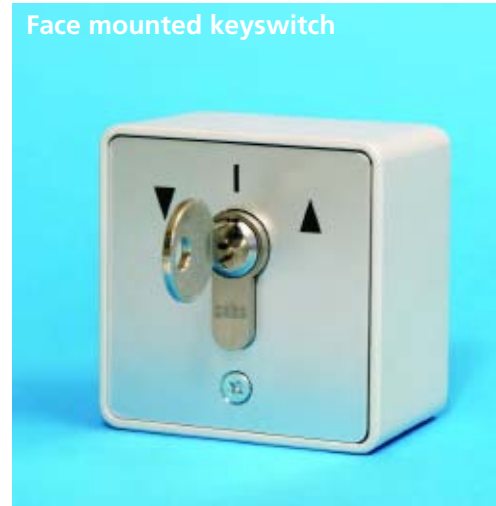
Charter-Integr8 Bottom Rail

The Charter-Integr8 bottom rail profiles incorporate a rubber gasket which seals to window/door sill ensuring the highest level of security is maintained.



Control Options

Face mounted keyswitch



Flush mounted keyswitch



Push button switch



Remote Control

Remote control push button



Remote control magnetic wall mounted push button



Remote control transmitter: 240 channel for up to 240 zones



- Remote control operation is becoming ever popular with specifiers and contractors alike, eliminating the need for on-site wiring, whilst offering the client a versatile switching control. The remote control system incorporates a concealed 'obstacle detection' system to eliminate user error.
- Battery backup facility is available on all Charter-Integr8 shutters to assist in the event of a power failure.
- Manual override facility is available on all Charter-Integr8 shutters as a low cost option to battery backup.

CHARTER
INTEGR8 180LS
 Combined Lintel Shutter System

The Charter-Integr8 180LS lintel shutter system incorporates a shutter within a structural lintel, providing an unobtrusive structurally integrated solution.

The lintel and cavity closer elements of the system are installed in the traditional manner at the time of build. The system addresses the usual issues of lintel design, such as structural loadbearing, cold bridging and damp proofing, but has the added benefit of acting as a security shutter when required. The shutter curtain is installed as a second-fix item via an internal maintenance access panel.

In the raised position, the shutter is completely concealed from view, retaining the clean lines of the opening. In the lowered position, the shutter ensures effective resistance against intruder attack. The absence of visible guide rails or boxes limits the potential for effective attack on the system.

Custom designs such as those for curved and arched windows are available, and aluminium polyester powder coating finishes can be supplied in any RAL/BS colour.



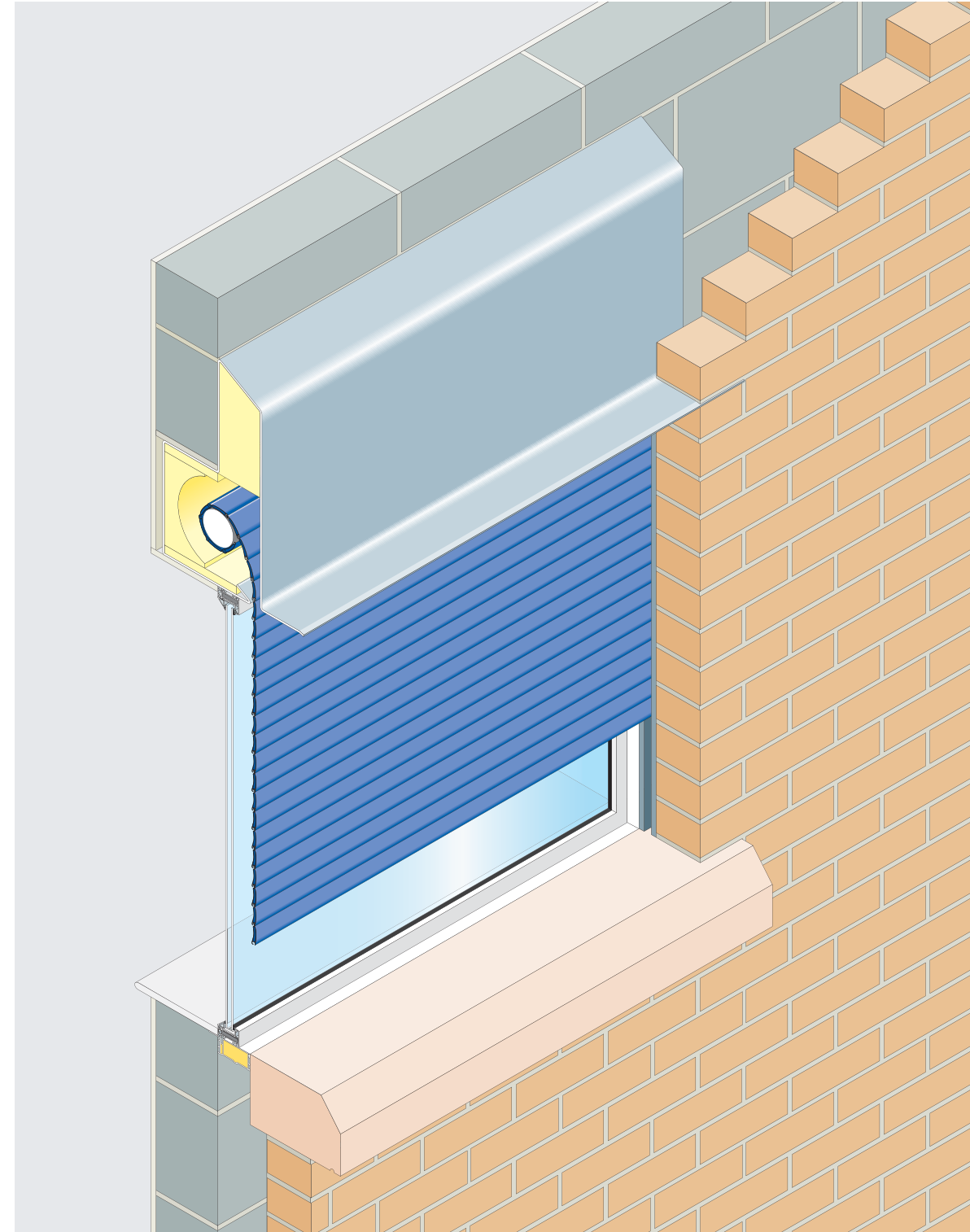
Primary School - Boglestone



Newark Primary School - Port Glasgow



Birkenhead & Tranmere Surestart Centre



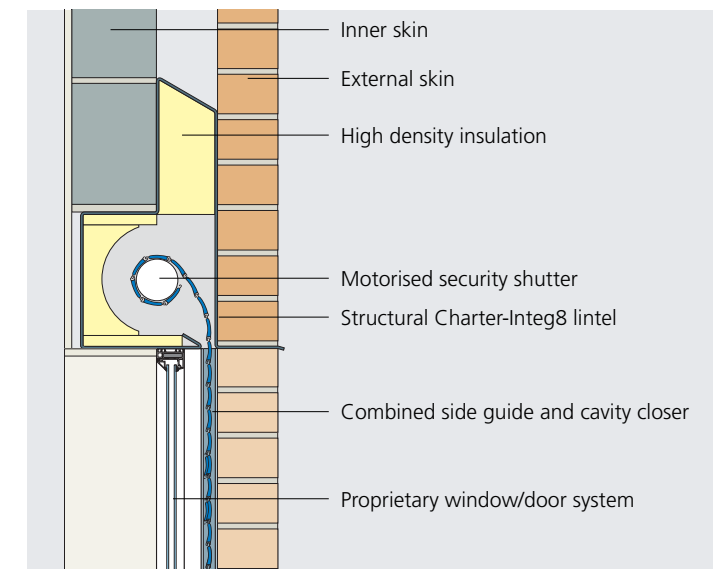
NBS Plus Type Specification

Charter-Integr8 180LS shutter system to be supplied and installed by Charter Specialist Security – 0845 050 8705, www.chartergroupuk.com. Aluminium curtain to be polyester powder coated to RAL/BS..... Cavity closers to be tied between wall skins, with lintels installed in accordance with Charter Specialist Security's method statement. The design requirement is for the shutters to be set in to the lintel so as to be concealed when out of use.

Project specific AutoCAD details available on request.

Features

- Combined structural lintel and shutter hood box for traditional build styles
- Combined side guide and insulated cavity closer, brick tied to structure
- System installed at new build stage
- Routine maintenance via internal access panel
- Shutter and side guides polyester powder coated to any RAL/BS colour
- Maximum security due to integrated design
- Intelligent Building Design



CHARTER
INTEGR8 180BL
 Concealed Shutter System

The Charter-Integr8 180BL security shutter system provides an effective solution for fast track build styles including SFS and timber frame. The design concept is based on the ever popular Charter-Integr8 180LS lintel shutter however, with many fast track build solutions the inner skin is self supporting, eliminating the structural requirements and incurred cost of a lintel.

The Charter-Integr8 180BL is a lightweight housing solution which simply attaches to the inner frame, catering for all aspects of integration.

The side guide profiles are included as part of the cavity closer ensuring pleasing aesthetics and effective security.

The Charter-Integr8 180BL offers a value engineered solution to fast track build styles.



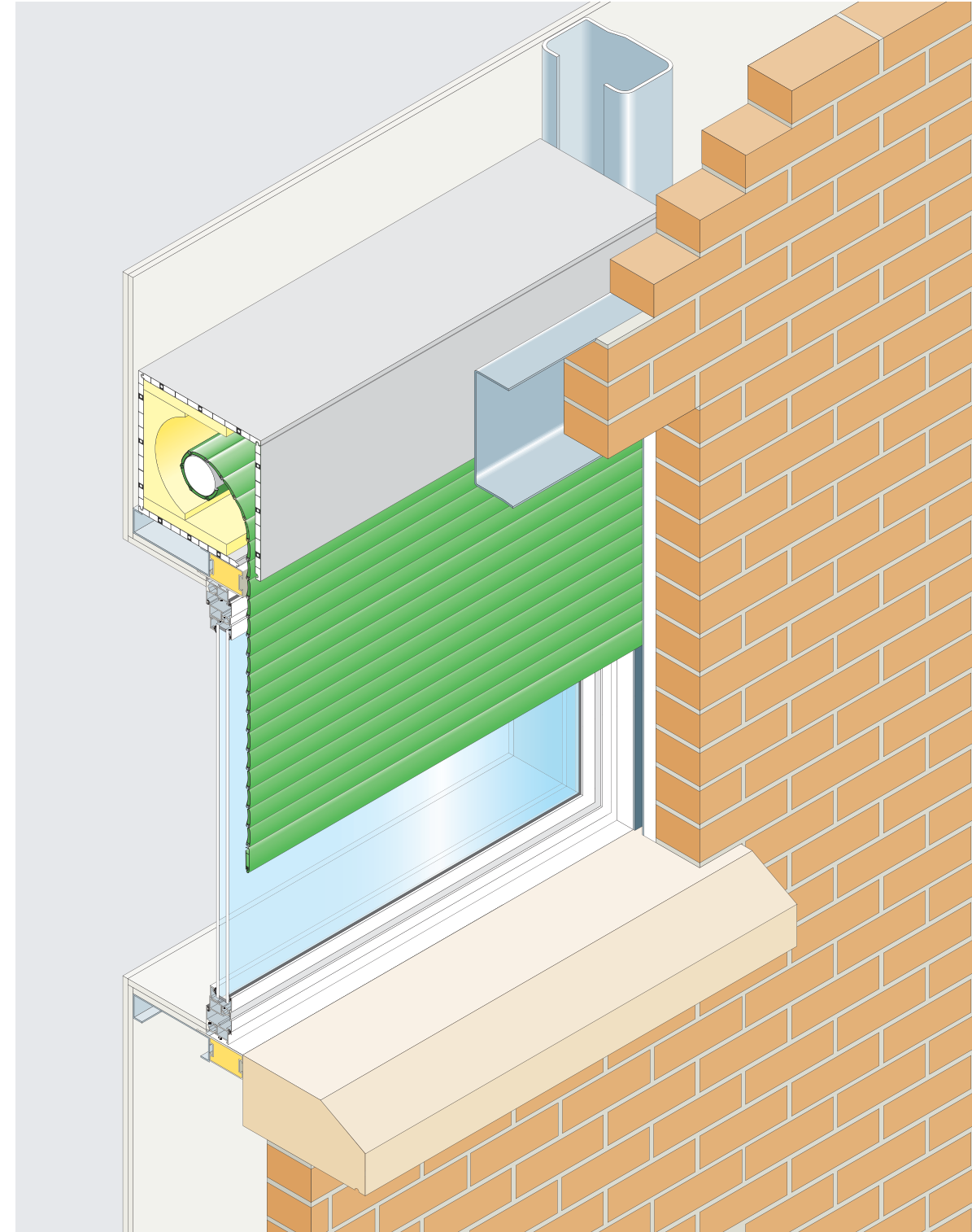
Child Development Centre - Warrington



Inverclyde Academy - Greenock



Neptune Court - Blackpool



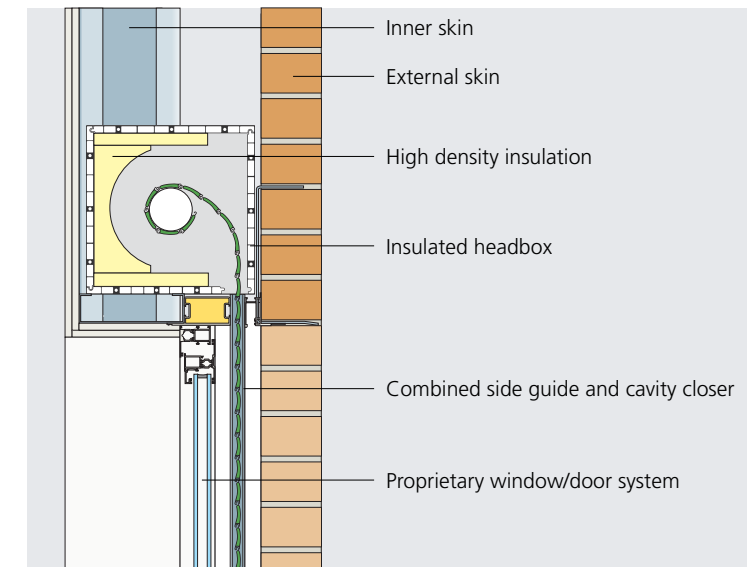
NBS Plus Type Specification

Charter-Integr8 180BL shutter system to be supplied and installed by Charter Specialist Security – 0845 050 8705 www.chartergroupuk.com. Aluminium curtain to be polyester powder coated to RAL/BS..... Cavity closers to be tied in to external skin, with boxes clipped to inner skin in accordance with Charter Specialist Security's method statement. The design requirement is for the shutters to be concealed from view when out of use.

Project specific AutoCAD details available on request.

Features

- Quick and easy installation
- Value engineered built-in shutter solution
- Fully integrated design
- Installed at inner skin stage
- Airtight, sealed access panel
- Can be integrated with any fast track/modular builds
- Cost effective

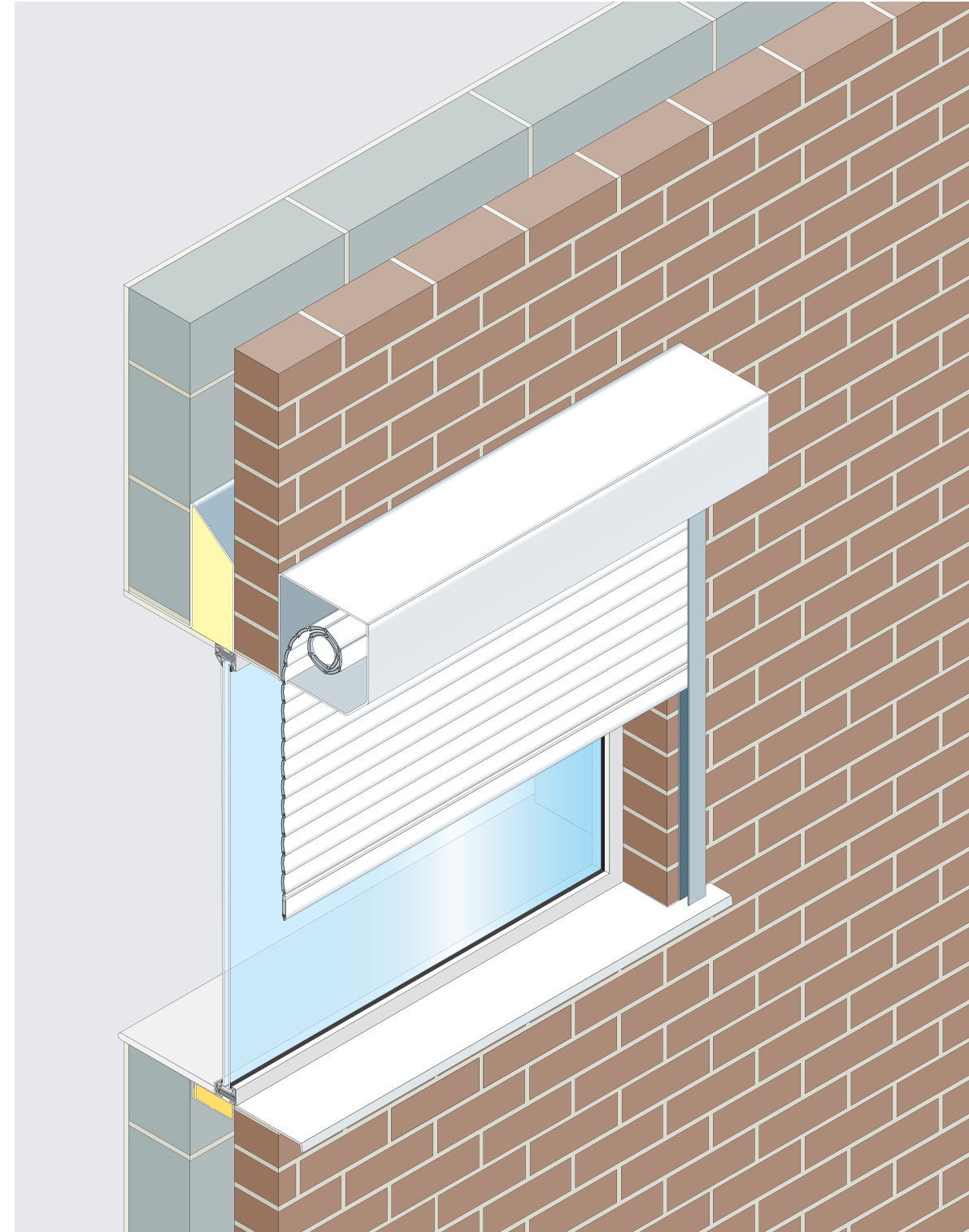


CHARTER
INTEGR8 180C
 Bolt-On Shutter System

The Charter-Integr8 180C is a retro-fit security shutter solution. The aluminium hood box and guide rails have a neat, compact design to minimise the visual impact on existing buildings. Because of its slimline finish the system is often chosen for internal as well as external retro-fit installations.

The shutter curtain comprises twin wall extruded aluminium sections designed to ensure maximum security, and can be supplied in any RAL/BS colour. The system provides a compact shutter of exceptional strength.

The slimline guide profiles can be face-fixed or reveal-fixed to existing openings, whilst the motor is housed out of sight within the tube of the shutter. The Charter-Integr8 180C can be housed within a soffit or roof overhang for complete concealment.



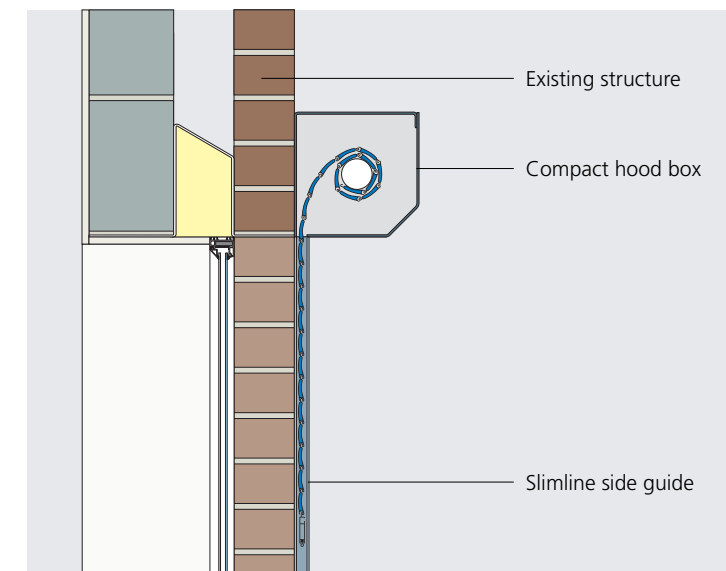
NBS Plus Type Specification

Charter-Integr8 180C shutter system to be supplied and installed by Charter Specialist Security – 0845 050 8705 www.chartergroupuk.com. Aluminium shutter to be polyester powder coated to RAL/BS..... Security shutter to be installed in accordance with Charter Specialist Security's method statement.

Project specific AutoCAD details available on request.

Features

- Bolt-on profiled hood box for retro installation to existing structure
- Slimline side guide profile for fixing direct to structure
- System installed during renovation or upgrade to existing structure
- Routine maintenance detachable external hood box
- Shutter and side guides polyester powder coated to any RAL/BS colour
- Very high level of physical security
- Intelligent Building Design



CHARTER
INTEGR8 180BS

Combined Brise Soleil Shutter System

The Charter-Integr8 180BS has the same features as the standard shutter system, but with the added advantage of having adjustable slats on the shutter curtain – essentially enabling the creation of a brise soleil when in the lowered position. This provides shade and reduces glare and solar gain, a potentially valuable contribution to any sustainable building solution.

The system allows the shutter slats to be adjusted automatically, following the movement of the sun throughout the day. This ensures that the optimum balance of natural daylight is filtered.

The Charter-Integr8 180BS can provide striking visual effects to large glazed facade designs and gives a subtle variation to the appearance of the building throughout the day.

For retro-fit applications, the Charter-Integr8 180BS adjustable slats system can also be installed within a non-structural headbox.

All aluminium polyester powder coating finishes can be supplied in any RAL/BS colour.



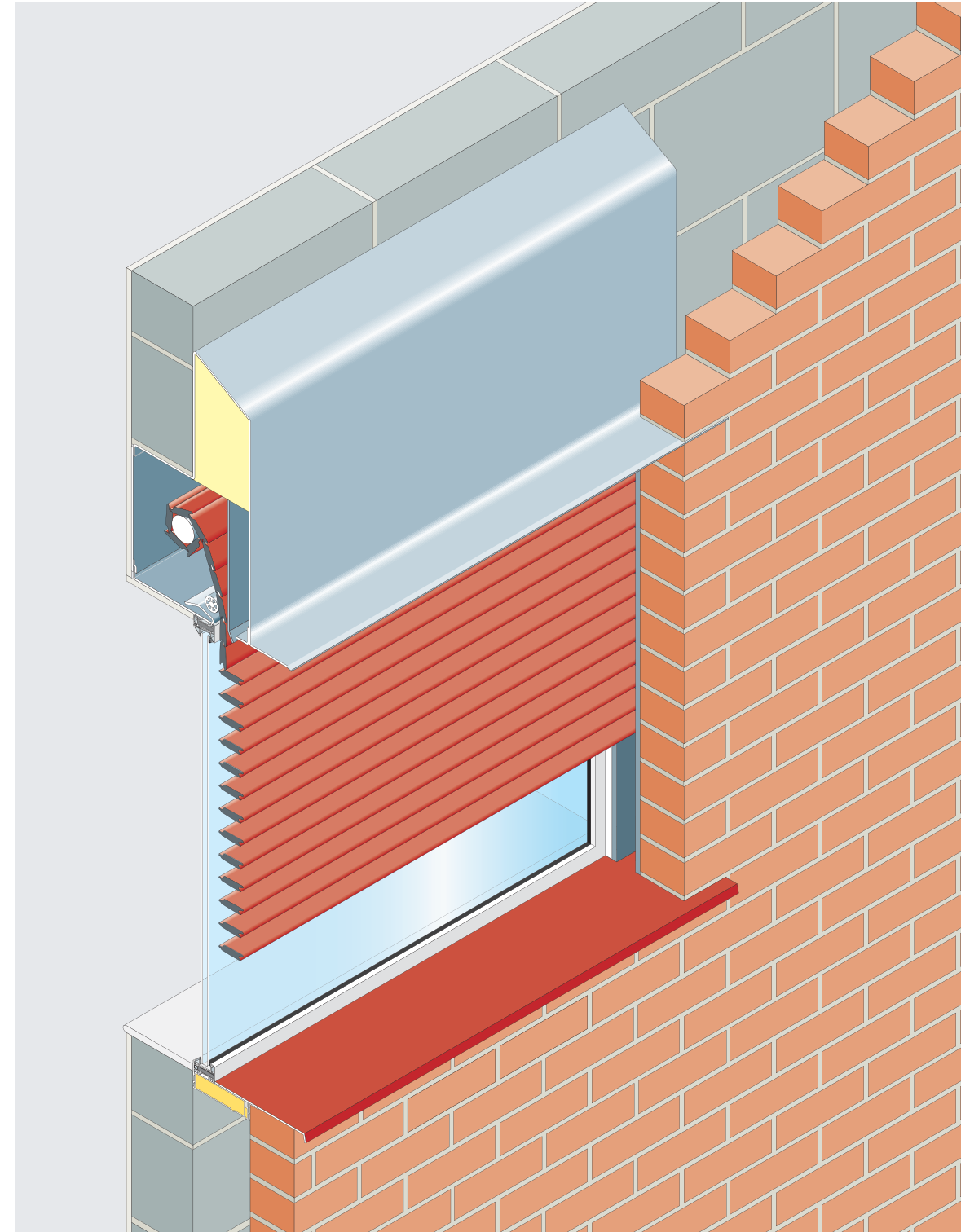
Secondary School - North England



Largs Academy - North Ayrshire



Prestige Residential - London



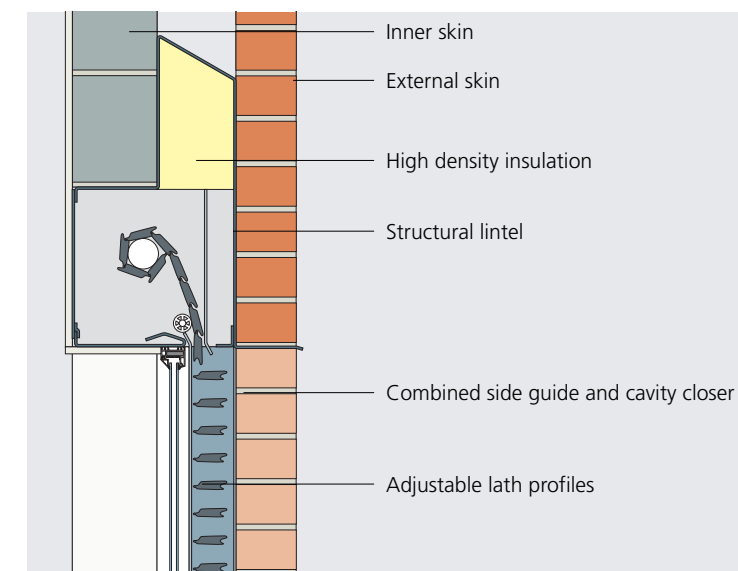
NBS Plus Type Specification

Charter-Integr8 180BS shutter system to be supplied and installed by Charter Specialist Security – 0845 050 8705 www.chartergroupuk.com. Aluminium curtain to be polyester powder coated to RAL/BS..... Cavity closers to be tied between wall skins, with lintels installed in accordance with Charter Specialist Security's method statement. The design requirement is for the brise soleil shutter to be set in to the lintel so as to be concealed when out of use.

Project specific AutoCAD details available on request.

Features

- Choice of structural or non-structural hood box detail for new build or renovation projects
- Combined side guide and insulated cavity closer or slimline guide profile
- Complete solar control with optional Sun Tracker for optimum performance
- Shutter and side guides polyester powder coated to any RAL/BS colour
- High level of security and effective solar control
- Enhances green building efficiency
- Intelligent Building Design



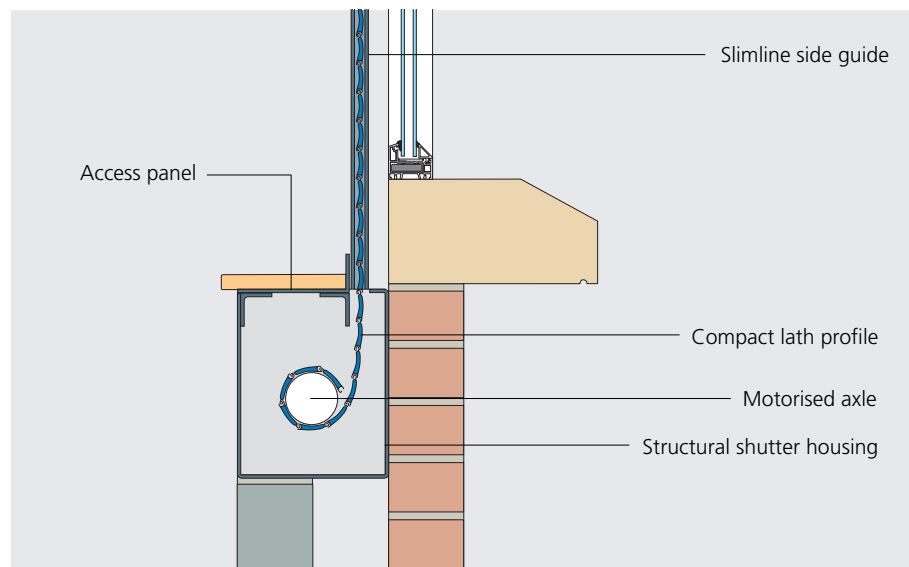
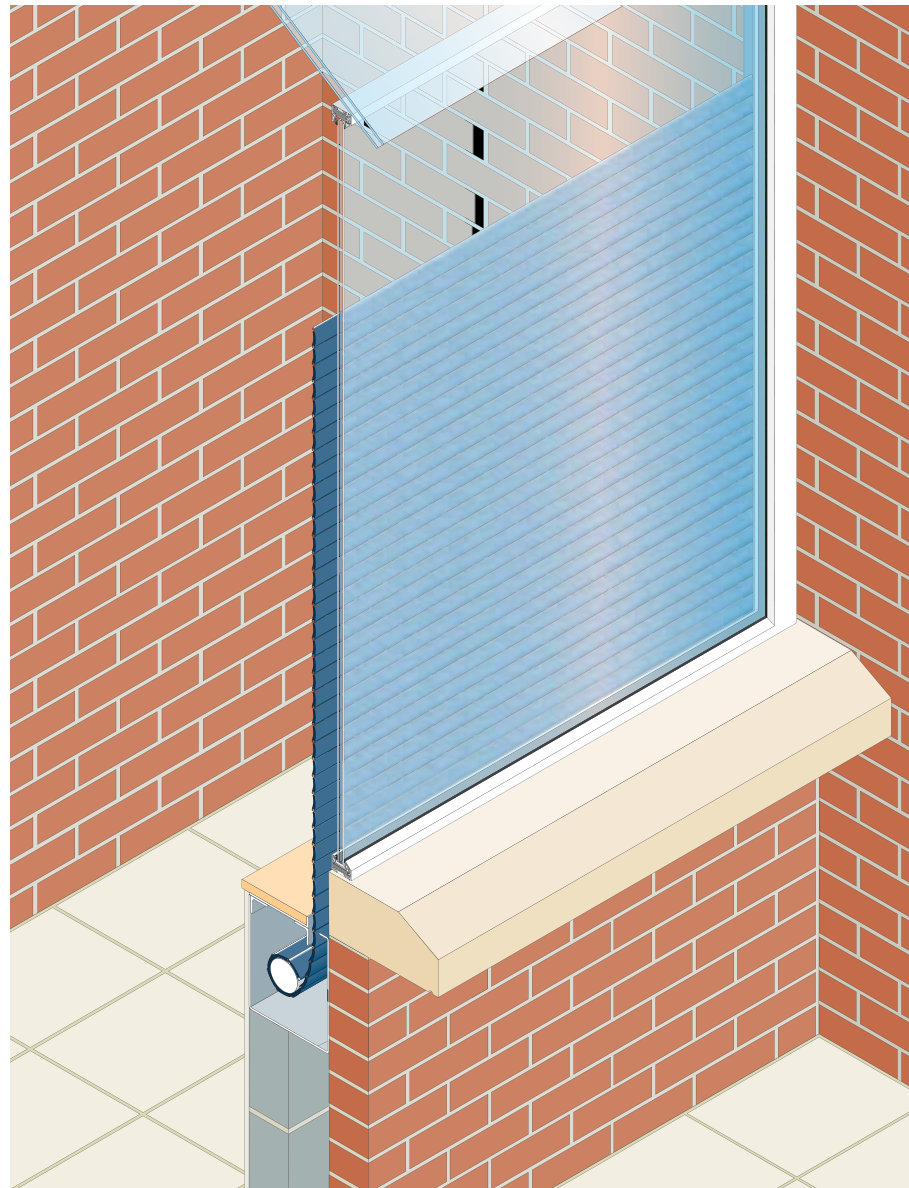
CHARTER
INTEGR8 180V
 Vertical Rise Shutter System

The Charter-Integr8 180V is a shutter design that is unique to Charter. The shutter rises vertically from a concealed base-mounted housing, providing unobtrusive security where integrated or surface fixing is not possible. The system is especially suitable for conservatories and glazed architectural features.

The system can be used for vertical or angled applications, spanning widths of up to 6m, and is operated with stainless steel cables. The housing can be placed beneath external paved areas (external shutters) or beneath the floor level (internal installations).

NBS Plus Type Specification

Charter-Integr8 180V shutter system to be supplied and installed by Charter Specialist Security – 0845 050 8705 www.chartergroupuk.com. Aluminium shutter to be polyester powder coated to RAL/BS..... Security shutter to be installed in accordance with Charter Specialist Security's method statement.



Project specific AutoCAD details available on request.

Features

- Custom base box situated below floor level (self draining for external applications)
- Slimline side guide fixed direct to structure
- System installed at new build or renovation stage
- Routine maintenance via access panel
- Shutter and side guides polyester powder coated to any RAL/BS colour
- Maximum security due to integrated design
- Intelligent Building Design

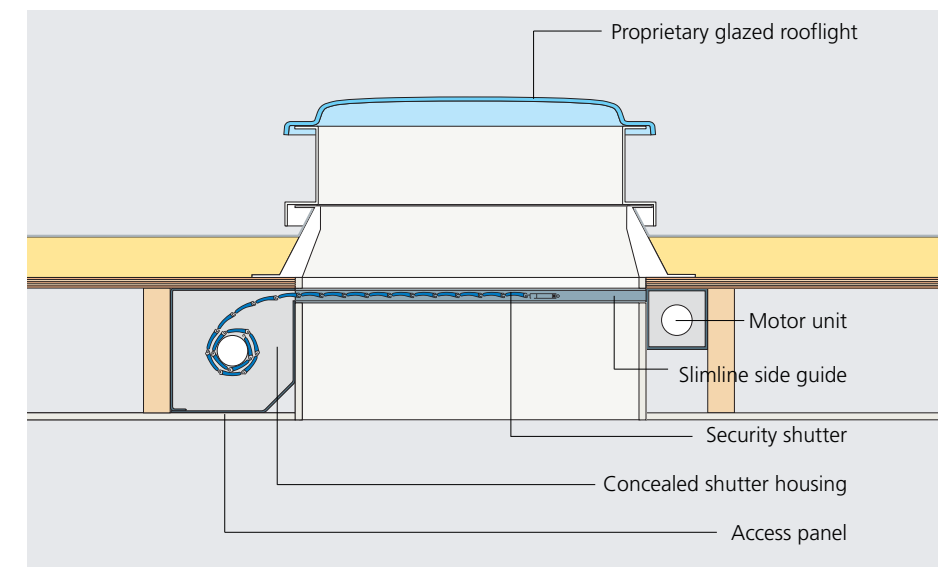
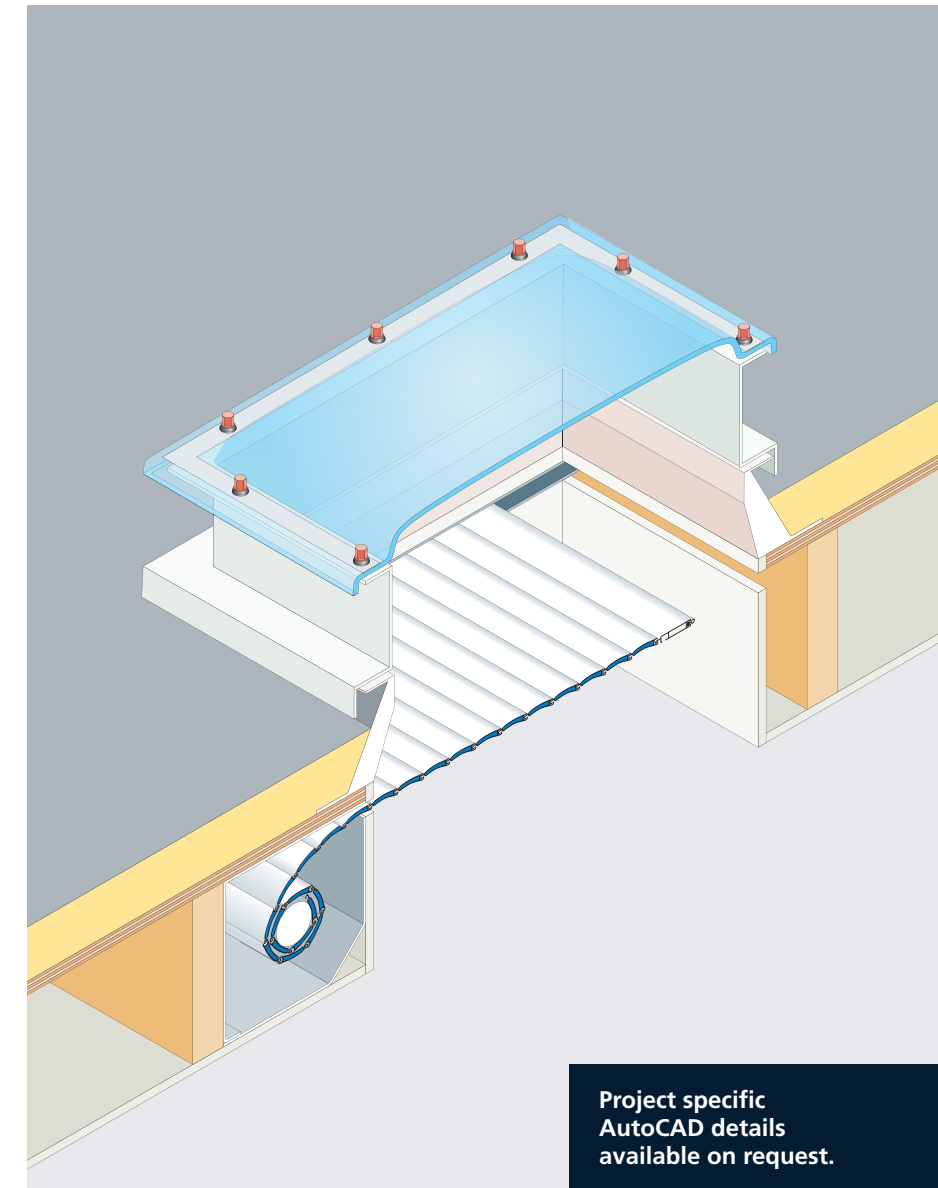
CHARTER
INTEGR8 180R
 Horizontal Rooflight Shutter System

The Charter-Integr8 180R provides the ideal solution for rooflight security. Rooflights provide essential natural daylight into deep plan structures, but also allow easy intruder access. The system can be retro-fitted into window surround details such as cornices, or installed into ceiling voids to provide an unobtrusive security solution.

Popular applications include IT suites within education facilities, and prestige residential developments for high profile clientele.

NBS Plus Type Specification

Charter-Integr8 180R shutter system to be supplied and installed by Charter Specialist Security – 0845 050 8705 www.chartergroupuk.com. Aluminium shutter to be polyester powder coated to RAL/BS..... Security shutter to be installed in accordance with Charter Specialist Security's method statement.



Project specific AutoCAD details available on request.

Features

- Custom head box concealed within roof construction
- Slimline side guide concealed within rooflight reveals
- System installed at new build or renovation stage
- Routine maintenance via internal access panel
- Shutter and side guides polyester powder coated to any RAL/BS colour
- Very high level of security due to integrated design
- Intelligent Building Design

CHARTER
INTEGR8 180FR
 Fire Rated Roller Shutter System

Charter-Integr8 180FR fire shutters are tested at Warrington Fire Research Centre in accordance with BS476 part 22 offering a 1 hour and 2 hour certification.

The system is regularly specified for serveries/high risk areas within buildings, operated via a link to the fire alarm to lower upon activation. The Charter-Integr8 180FR is available with an optional audio visual warning to alert personnel.

The Charter-Integr8 180FR comprises galvanised steel construction with an option to polyester powder coat to any RAL/BS colour.



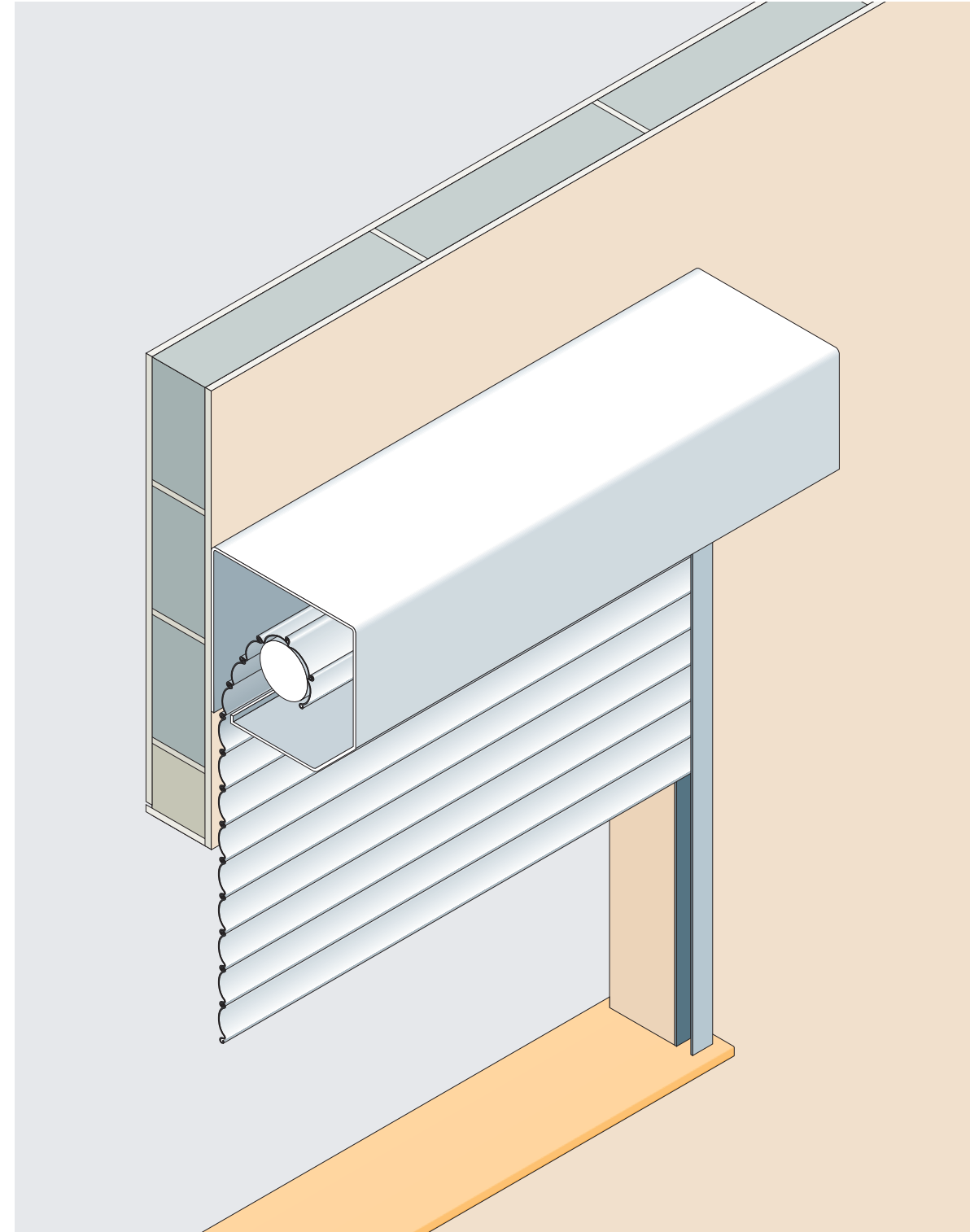
Testing at Warrington Fire Research Centre



Community Block Fire Escape - Oxfordshire

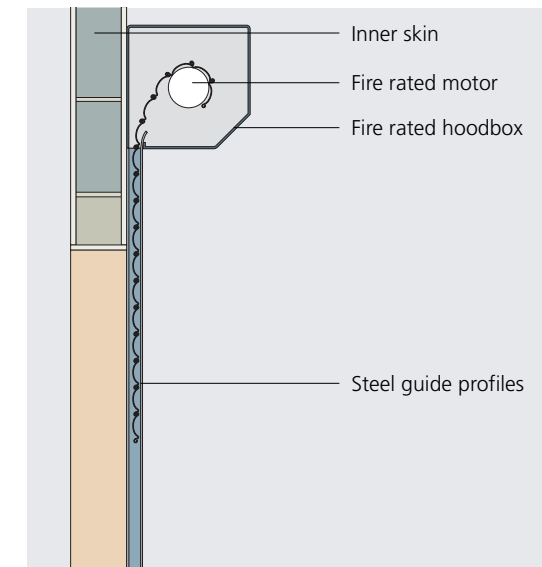


Community Centre Servery - Reading



Features

- 1 hour / 2 hour fire ratings tested to BS476 part 22
- Steel shutter curtain and hood box, galvanised to BS729
- System installed at all build stages to comply with Fire Regulations
- Routine maintenance required to comply with Regulations
- Shutter and side guides polyester powder coated as an option to any RAL/BS colour



NBS Plus Type Specification

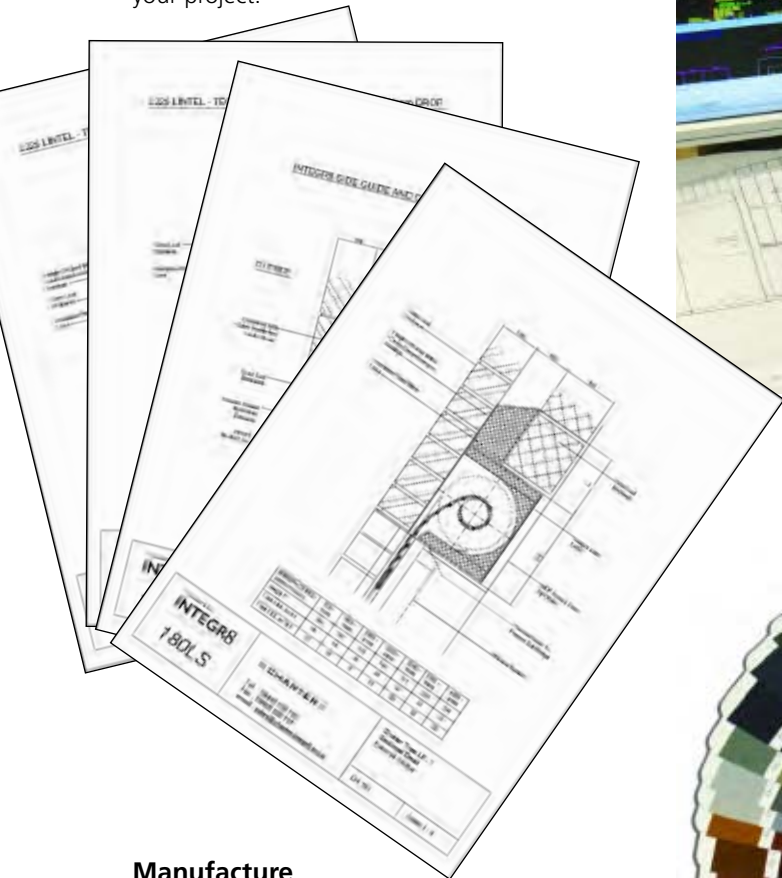
Charter-Integr8 180FR shutter system to be supplied and installed by Charter Specialist Security – 0845 050 8705 – www.chartergroupuk.com. Fire shutter to ensure a 1 hour/2 hour protection. Steel curtain to be polyester powder coated to RAL/BS..... Shutter to include optional audio visual warning panel and battery back up system.

Project specific AutoCAD details available on request.

Quality Assurance and Technical Support

Design

Charter boasts a wealth of experience within the industry, offering technical assistance at the earliest stages of a project from initial feasibility through to on-site fabrication designs. Drawing from a vast library of AutoCAD details, Charter can provide system designs, loading tables, lintel schedules and wiring diagrams specific to your project.



Manufacture

With extensive manufacturing capability, Charter can respond to the most stringent demands, ensuring that projects stay on programme and within budget. Intensive quality control measures are in operation to maintain a very high standard of manufacture throughout.



Health and Safety

Health and Safety performance is of prime importance to the company. Continuous improvement in all areas is one of the core values that underpin the Charter vision.

Charter aims to ensure the absolute safety of everybody associated with the activities of the business, including the people and environments within the communities in which it operates.

Every care has been taken to make sure that the information provided in this publication is correct at the time of going to press. However, illustrations provided are indicative only and we reserve the right alter any information or specification without notice, as circumstances dictate. This is in line with our company policy of continuous development and improvement. Charter Specialist Security cannot be held liable for any error or omission, however arising, from any of our publications.

© Copyright – Charter Specialist Security, all rights reserved. No part of this publication is to be reproduced in any form without the written permission of the copyright owners.

The Charter-Integr8 180 Series is a registered trademark of Charter Specialist Security.

Charter Specialist Security Ltd
Innovation House
Boulton Road
Reading RG2 0NH

Tel: 0845 050 8705

Fax: 0845 050 8707

E-mail: sales@chartergroupuk.com

 **CHARTER**