

# BRIGHTON SHELTER

The Brighton shelter was designed to perfectly protect our Easylift Two Tier bike rack systems from the elements.

- Fully modular system which can be extended to unlimited lengths.
- Single or double width options available.
- Robust and durable materials used. 4mm wall thick box section.
- Independently structurally engineered to ensure safe loadings throughout Europe.
- Double layer roof system provides low maintenance on sky facing and light reflecting on underside (option).
- Surface or root fixings options.
- Integral guttering and LED lighting optional.
- Hollow construction allows power and CCTV cable to run within shelter legs to underside of roof.



Product Name: Brighton Two Tier Cycle Shelter.  
Shelter.

Product Description:

BREEAM and Code for Sustainable Homes Compliant.

This bike shelter can help contribute towards gaining ENE8 Cycle storage credits when used in the appropriate situation, under the Code for Sustainable Homes.

Specification:

Shelter manufactured from hot dipped Galvanised steel to BS EN ISO1461 70mm x 70mm box section.  
Standard Transparent UV PET G 4mm roof or double layer Alupanel. Black to up side, white to downside.  
Aluminium fixing straps.  
All fixings to be galvanised or aluminium.  
Plastic coloured end caps.  
Full round welds.  
Nyloc nuts are used for safety.  
Angled roof.  
Integrated gutter option.  
Standard 5 metre version stores 24 bikes/48 bikes using our Easylift Two tier racks.  
Extensions available up to any length.

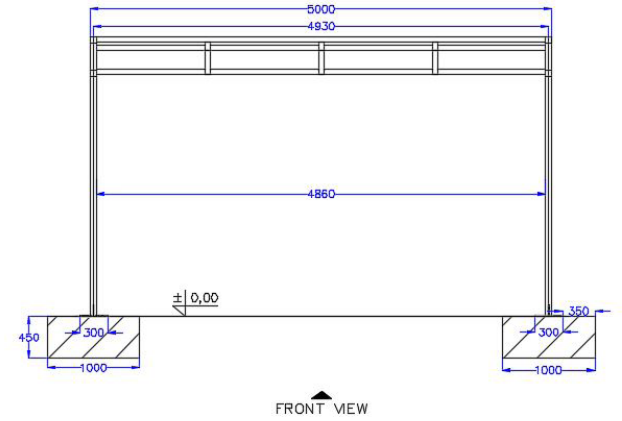
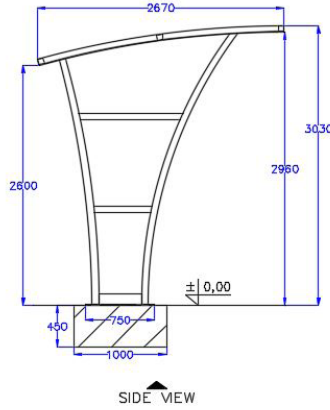
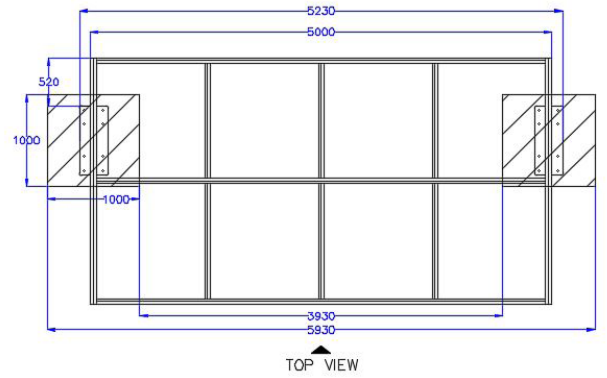
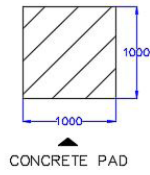
Finish: Galvanised as standard. Powder coating available.

Two ground fixing options  
Base plate fixing.  
Submerged fixing.

Additional Information:

Weight: 180kg for single sided version.

### SINGLE SIDED VERSION



### DOUBLE SIDED VERSION

