



Cyclepods

Transforming bike storage



STREETPOD INSTALLATION GUIDE



PRODUCT ASSEMBLY

STEP 1 - UNPACK ALL COMPONENTS CAREFULLY



STEP 2 - LINE UP INNER PLATES AND DRILL 4 HOLES USING A SIDE DRILL. SECURE PLATE WITH 4 WAFER HEAD SCREWS PER PLATE.



STEP 3 - PLACE THE LARGE STEEL LOOP THROUGH THE STREETPOD AND ALLOW THE ENDS TO PRODUDE OUT THE BOTTOM. PLEASE NOTE THE CORRECT ORIENTATION OF THE LOCKING LOOP.



STEP 4 - SECURE THE FLOOR PLATES TO THE MAIN LOOP USING M8 BOLT, NUTS AND WASHERS.



STEP 5 - DRILL PLATES INTO POSITION USING 5MM (10G) X 25MM WOOD SCREWS, ENSURING THAT THE HOLES IN THE METALWORK LINE UP WITH THE HOLES IN THE STREETPOD.

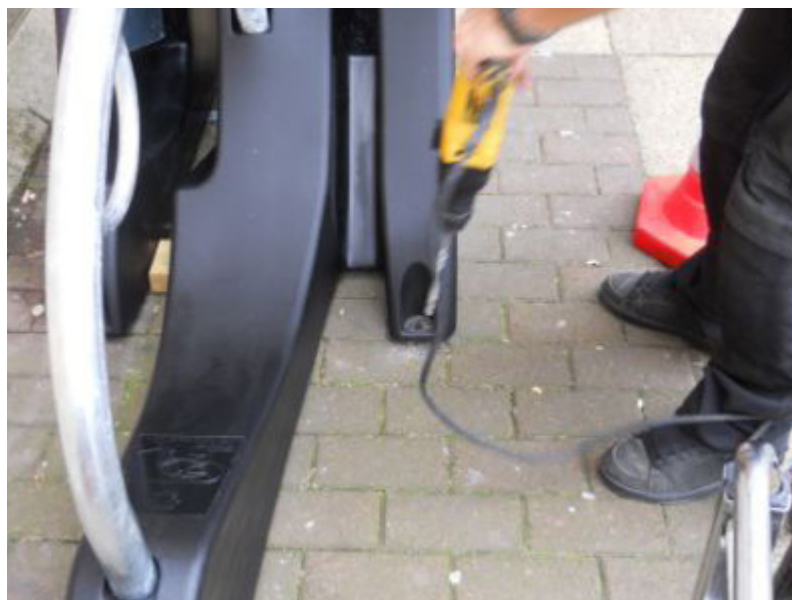


PRODUCT INSTALLATION

STEP 1 - PLACE STREETPOD INTO POSITION, ENSURING ASPECTS SUCH AS ROLL OUT SPACE AND ACCESS HAVE BEEN TAKEN INTO ACCOUNT. ENSURE THE OPEN TRACKS ARE SPACED AT 60MM; WE RECOMMEND A SPACER.



STEP 2 - USING THE SECURING POINTS AS REFERENCE, DRILL HOLES INTO THE AREA TO BE SECURED.



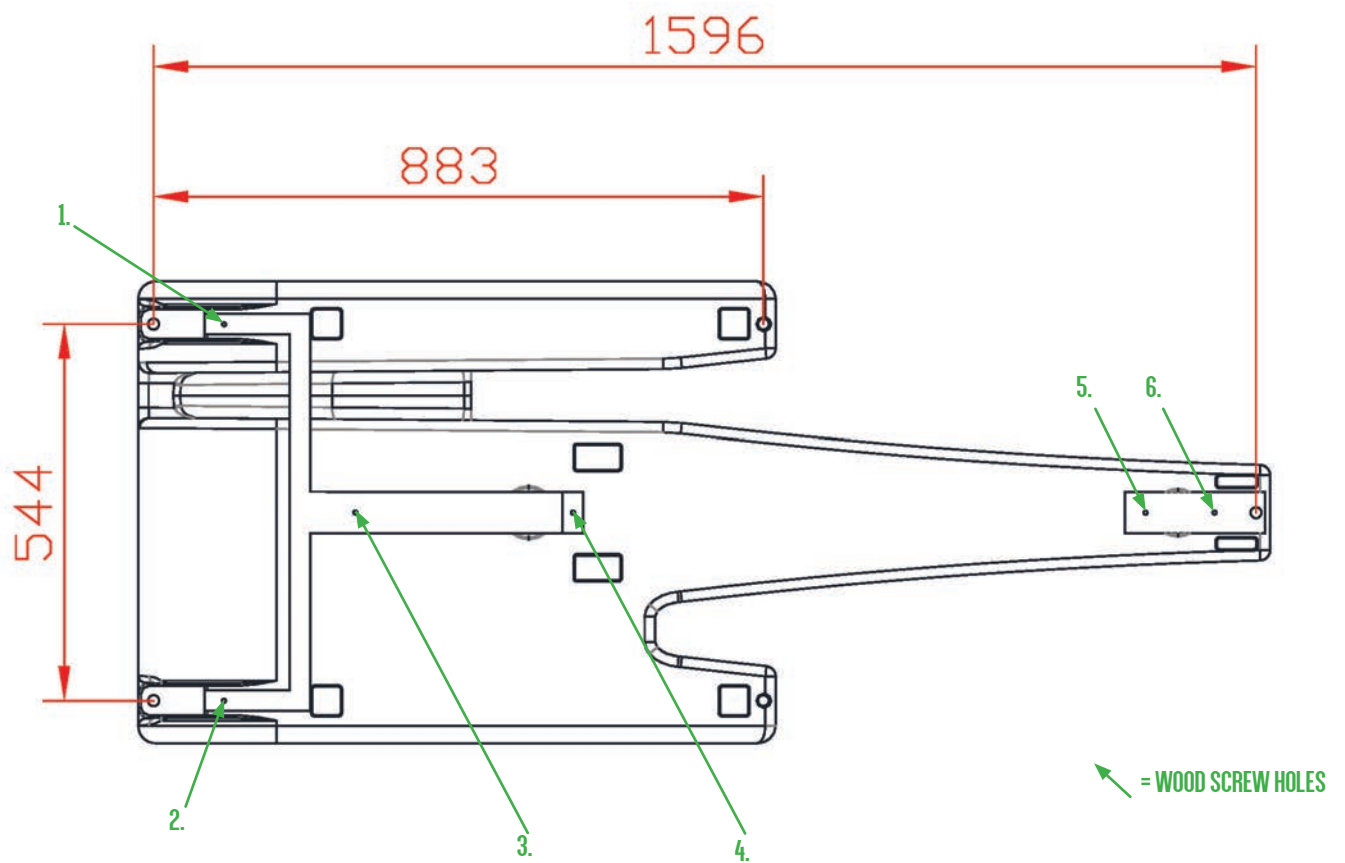
STEP 3 - AFTER DRILLING HOLES, CLEAN/BLOW OUT THE DRILLED AREA TO REMOVE ANY DEBRIS



STEP 4 - APPLY OPTIONAL RESIN TO THE FIXING POINTS AND SECURE WITH THE SUPPLIED FIXINGS



STREETPOD FIXING LOCATIONS AND DIMENSIONS



CYCLEPODS LTD
UNIT 2 BETSOMS BARN
PILGRIMS WAY
WESTERHAM
KENT
TN16 2DS