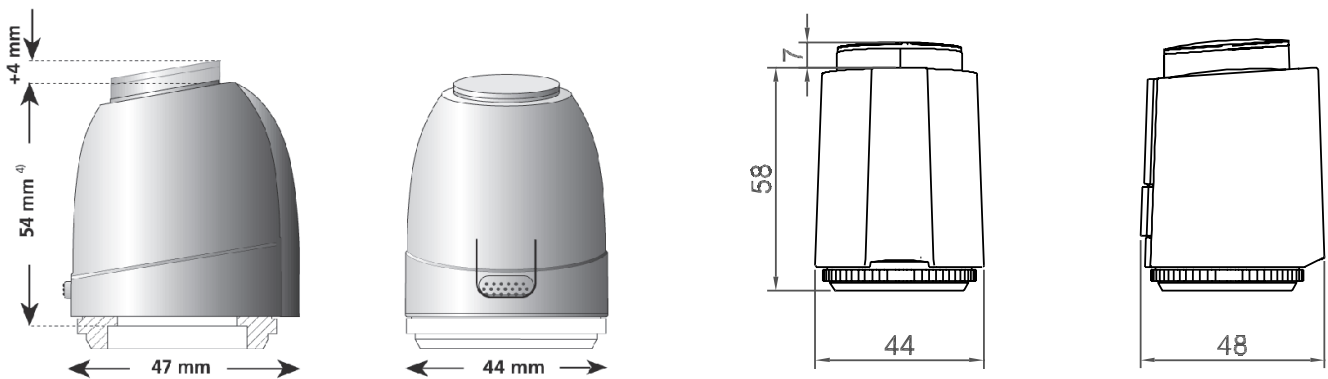


Frese EVA actuator

Type	48-5515	48-5525	48-5526
On/off	On/off	On/off	On/off
Power supply	24V AC/DC	24V AC/DC	230V AC
Power consumption	1.8W	1W	1W
Closing and opening time	Approx. 3 min.	Approx. 3 min.	Approx. 3 min.
Actuator travel	4 mm	5 mm	5 mm
Force	100N	100N	100N
Ambient temperature	0-60°C	0-60°C	0-60°C

Design

	Normally closed	Normally closed	Normally closed
Protection	IP 54	IP 54	IP 54
Valve adapter	Included	Included	Included
Weight	100 g	100 g	100 g
Connection wire	2 x 0.75 mm ²	2 x 0.75 mm ²	2 x 0.75 mm ²
Length of wire	1.0 m	1.0 m	1.0 m



Frese A/S assumes no responsibility for errors, if any, in catalogues, brochures, and other printed matter. Frese A/S reserves the right to modify its products without prior notice, including already ordered products, if this does not alter existing specifications. All registered trademarks in this material are the property of Frese A/S. All rights reserved.