



# Cycle-Works

## Higher Kennet Shelter



### Overview

The modern and stylish Kennet shelter is a sleek and elegant design that complements traditional and modern architecture. Each shelter can be custom made to fit a specific site.

### Features & Benefits

- Modern and curved design.
- Galvanised and powder coated mild steel construction.
- Available with a translucent roof or a double-layer roof.
- Price includes our popular Rounded A racks.
- Capacity: Rows can be as long as required.
- Low target for graffiti as it has a high roof and no large area.
- Ideal for our high capacity Josta 2-tier racks.

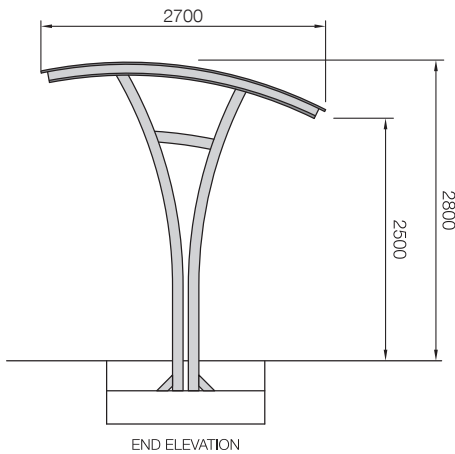




# Higher Kennet Shelter

## Materials

These shelters are made of galvanised and powder coated mild steel. The cladding is manufactured from 5mm UV stable, shatterproof, impact-resistant and non-combustible translucent PET material. All standard RAL and BS colours are available.



## Dimensions

Height Front: 2800mm  
Height Back: 2500mm  
Depth: 2700mm

## About Cycle-Works

Cycling is our passion. We believe that cycling is good for people, good for society and good for the environment. This belief underpins everything we do. We believe that the provision of quality facilities will increase the use and acceptance of the bicycle.

All our employees and associates cycle regularly in diverse disciplines such as commuting, touring and long distance audax rides. We are active in both local and national cycle campaigning.



## Cycle-Works Products

- Individual bicycle lockers
- High capacity 2-tier racks
- Open access and lockable shelters
- Wide range of individual racks
- Vertical and horizontal wall mounted racks
- Custom-made solutions

## Cycle-Works Services

- Initial site visits and advice on product selection
- Consultation on your construction plans
- Full delivery and installation services
- Aftercare and maintenance

