

# SCOOP

Nature container

MOUNTING INSTRUCTIONS - ENGLISH

# scoop

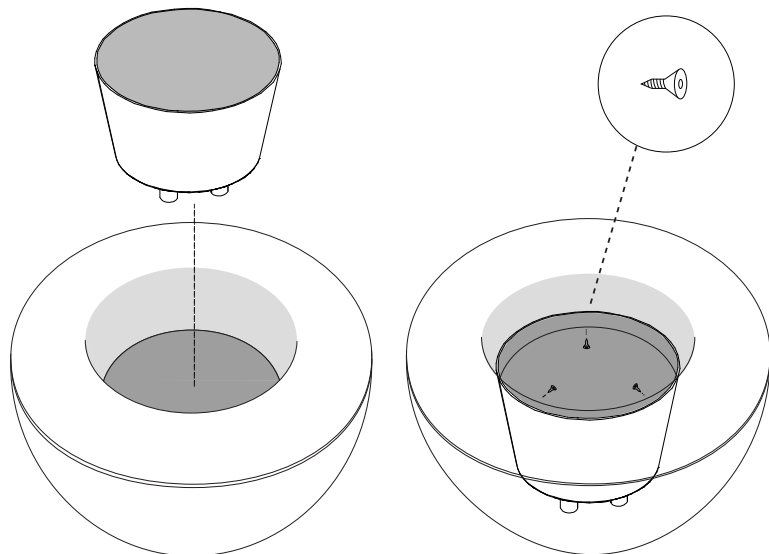
Nature container

## Fixing of Scoop

### Supply of Scoop in two parts

Scoop is welded out of the factory so that top and bottom cannot be separated. Only the self-watering part can be taken up – it may be secured by three screws. Make sure the bottom plug in the bottom is screwed firmly into Scoop when it is used indoor.

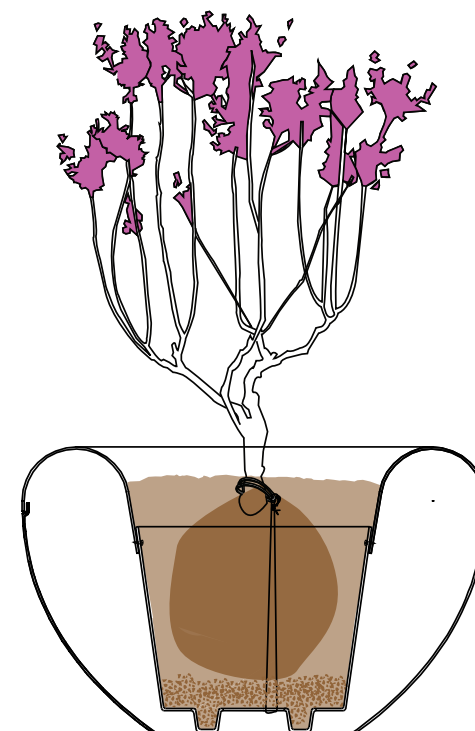
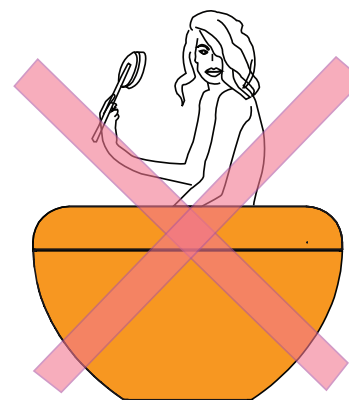
We recommend that you change the bottom plug every two years when Scoop is used indoor, to ensure that the gasket remains tight.



## Scoop intended for planting of trees and bushes

Scoop is exclusively intended for planting of trees and bushes, and not for bathing or swimming.

Worst-case scenario, if using Scoop as a bathtub, could be drowning.

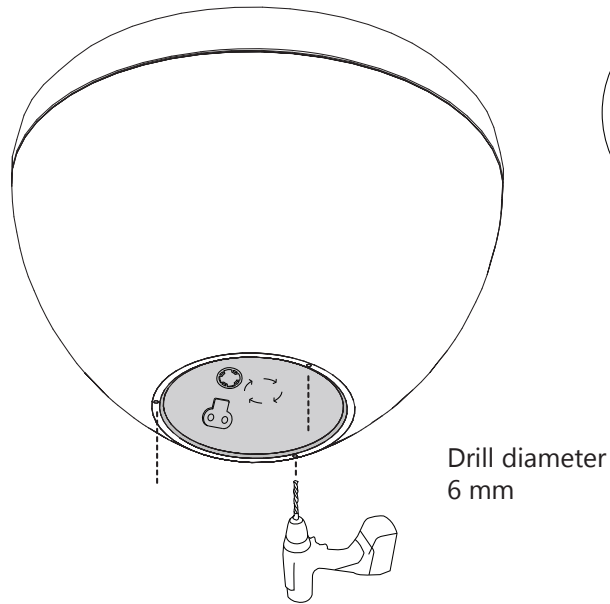


# scoop

Nature container

## Fixing of Scoop in urban space with screws

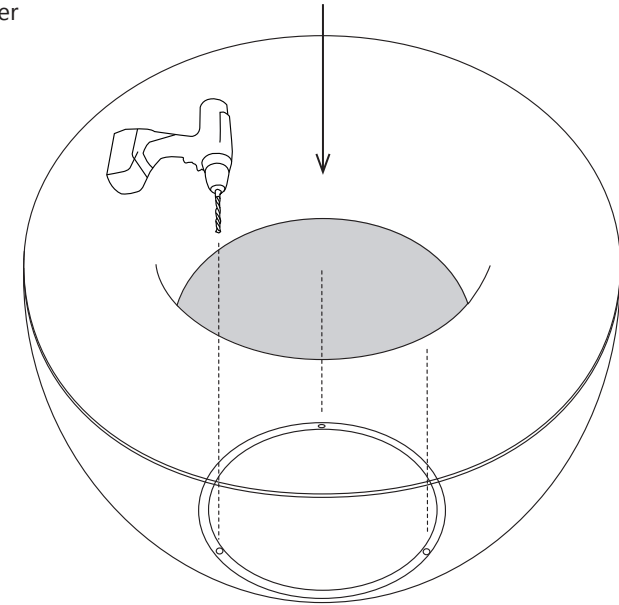
- 1** Take out the bottom plug, if you want the water to run out. Use key.



- 2** Pre-drill in bushings at the bottom (drill diameter 6 mm)  
NB: By using this method Scoop will not keep tight for indoor use

- 3** Drill from the inside of Scoop, through the holes, in the bushings, and into the cover (drill diameter 6 mm). There must be drilled in hard surface such as stone or concrete.

Drill diameter  
6 mm



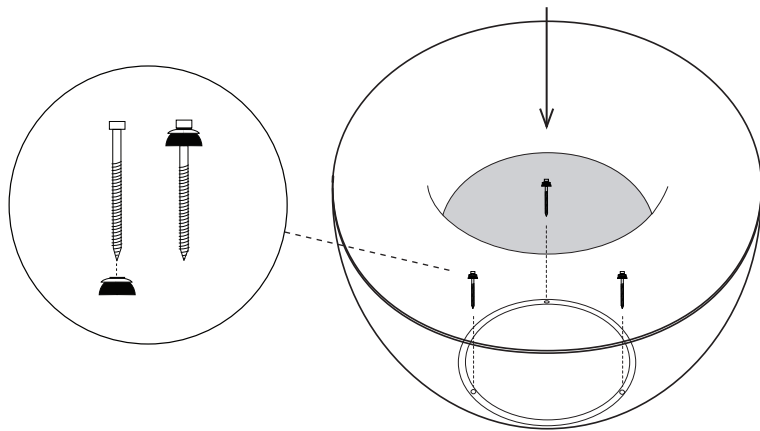
F1

# scoop

Nature container

## Fixing of Scoop in urban space with screws

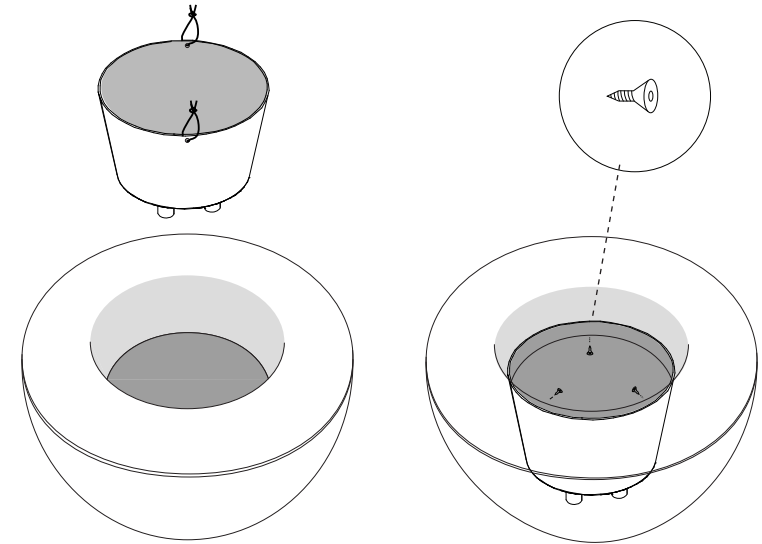
- 4** Clean bushings from drill dust so that rubber packings will tighten smoothly. Fix Scoop to the surface with screws starting from the inside of Scoop into the pre-drilled holes in the cover.



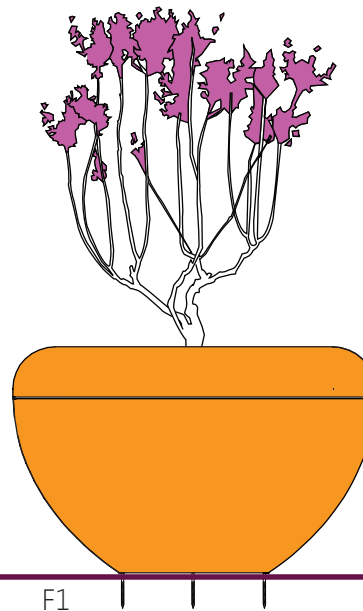
**Pull out values of 1 screw for recommended screws:**

Concrete	383 kos
Brick	300 kos
Porous material	117 kos

- 5** Then place the self-watering part and fix it with three screws.



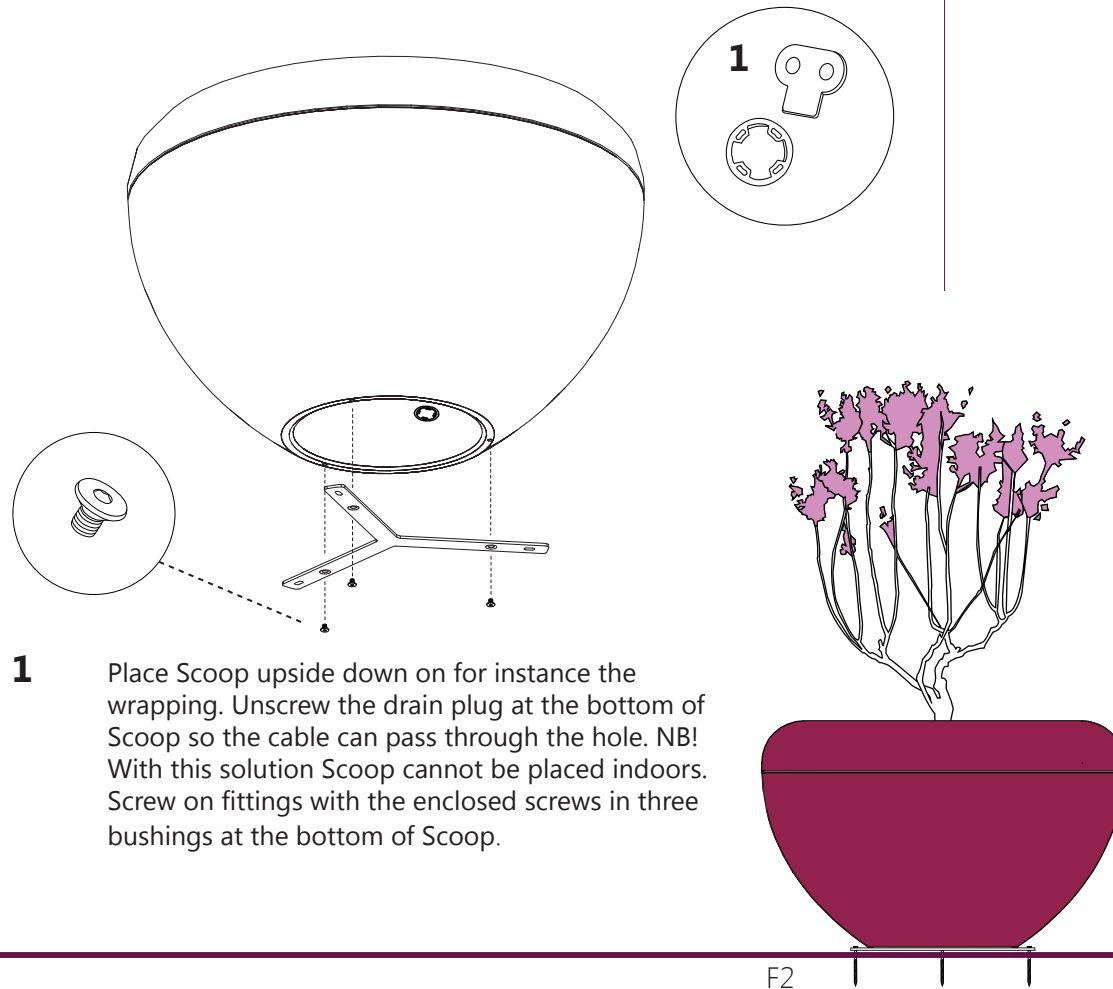
These directions for fixing of Scoop in public domain are only instructive. Storm Design will not guarantee for any theft of or vandalism on Scoop.



# scoop

Nature container

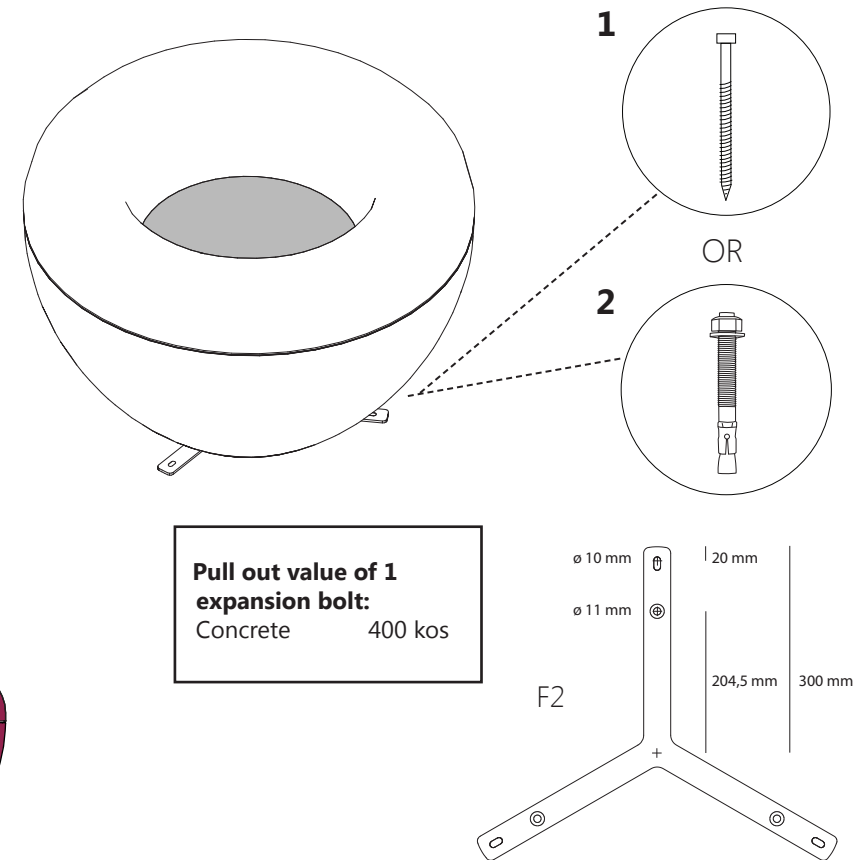
## Fixing of Scoop in urban space with fittings



**1** Place Scoop upside down on for instance the wrapping. Unscrew the drain plug at the bottom of Scoop so the cable can pass through the hole. NB! With this solution Scoop cannot be placed indoors. Screw on fittings with the enclosed screws in three bushings at the bottom of Scoop.

**2** **1.** Mark in the holes and pre-drill (drill diameter 6 mm). Fix with enclosed screw in firm surface (see also Fixing of Scoop in urban space with screws ). This method is recommended by Storm Design.  
**Or: 2.** Mark in the holes and pre-drill. Fix with expansion bolts. (The expansion bolt is only for fixing in concrete and is not enclosed).

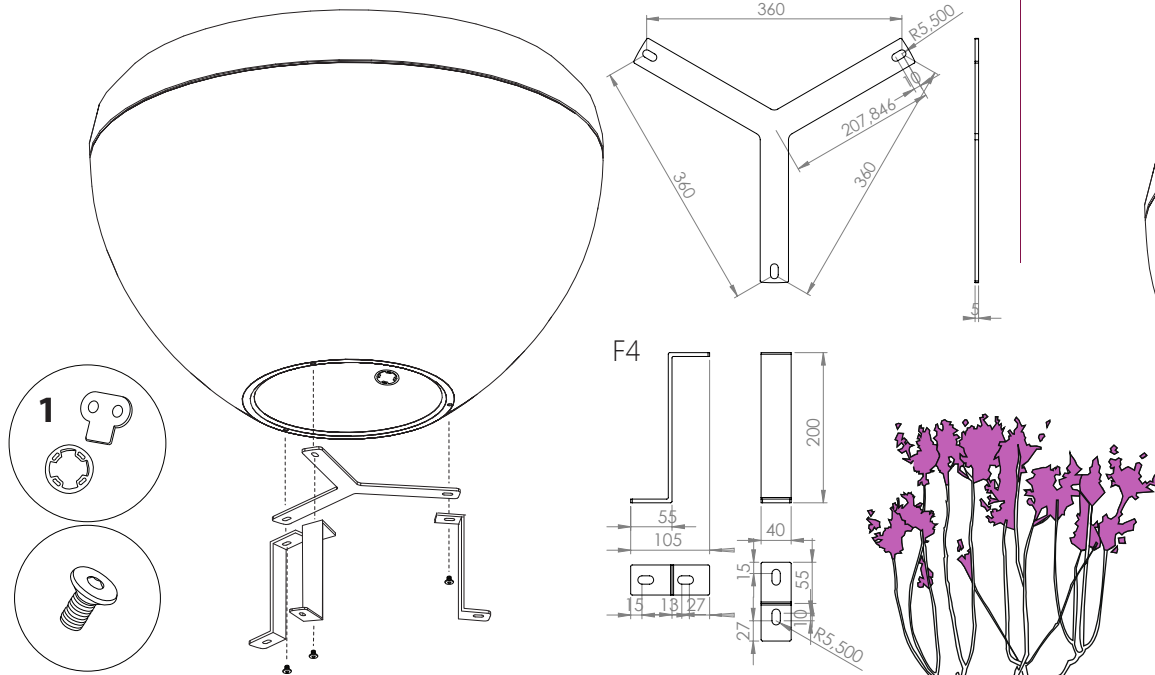
These directions for fixing of Scoop in public domain are only instructive. Storm Design will not guarantee for any theft of or vandalism on Scoop.



# scoop

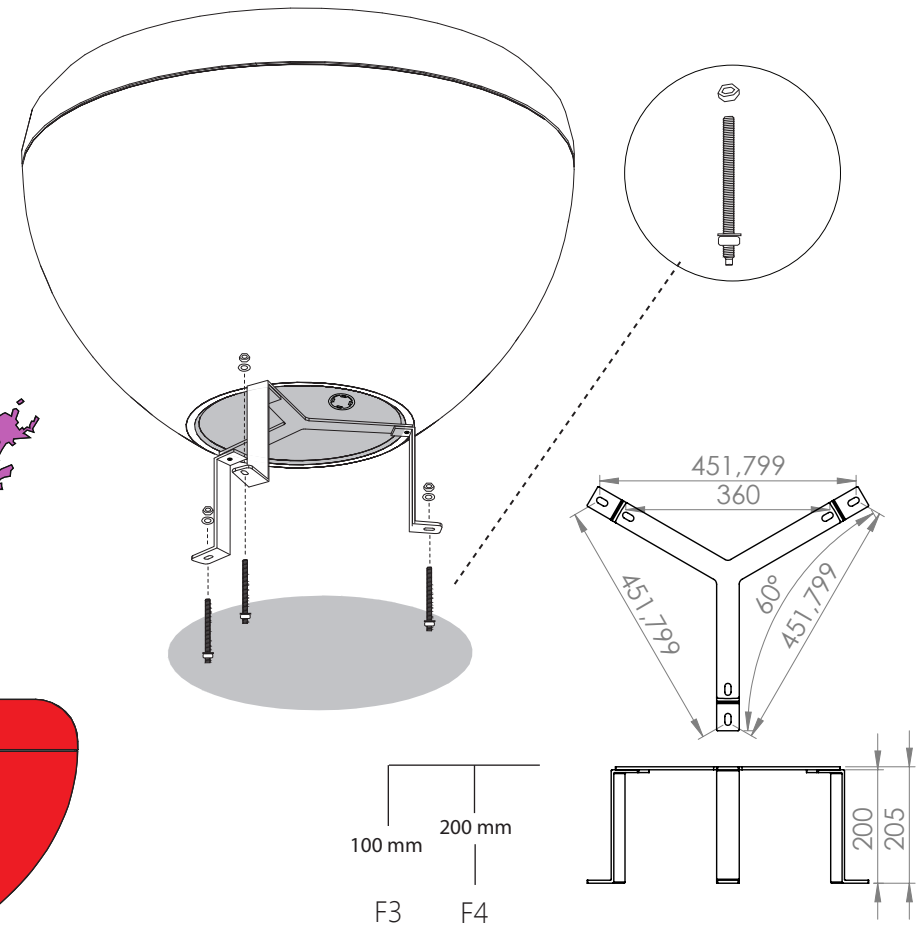
Nature container

## Fixing of Scoop in urban space with fittings



**1** Place Scoop upside down on for instance the wrapping. Unscrew the drain plug at the bottom of Scoop so the cable can pass through the hole. NB! With this solution Scoop cannot be placed indoors. Screw on fittings with the enclosed screws in three bushings at the bottom of Scoop.

**2** Cast concrete foot with three threaded bars (threaded bar diameter 8 mm). Fix the first bolt and the washer. Fittings and washer and the second bolt. Adjust bolts until Scoop is level.

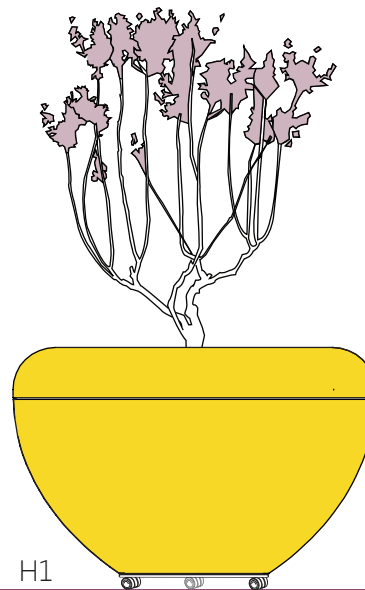
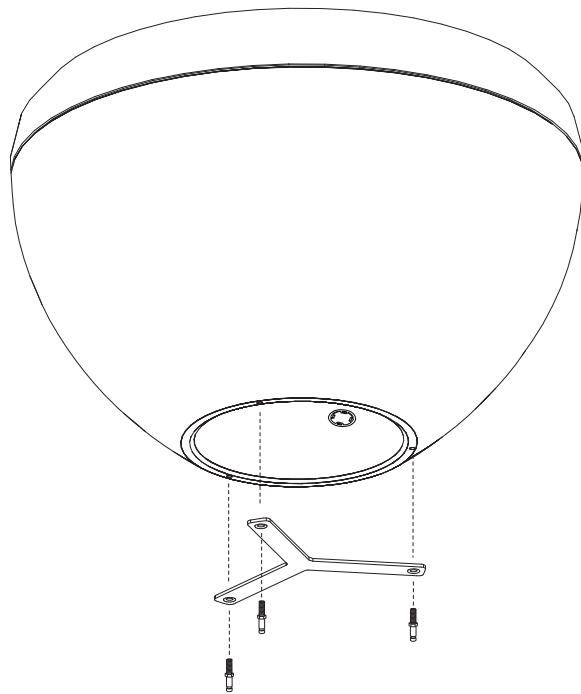


# scoop

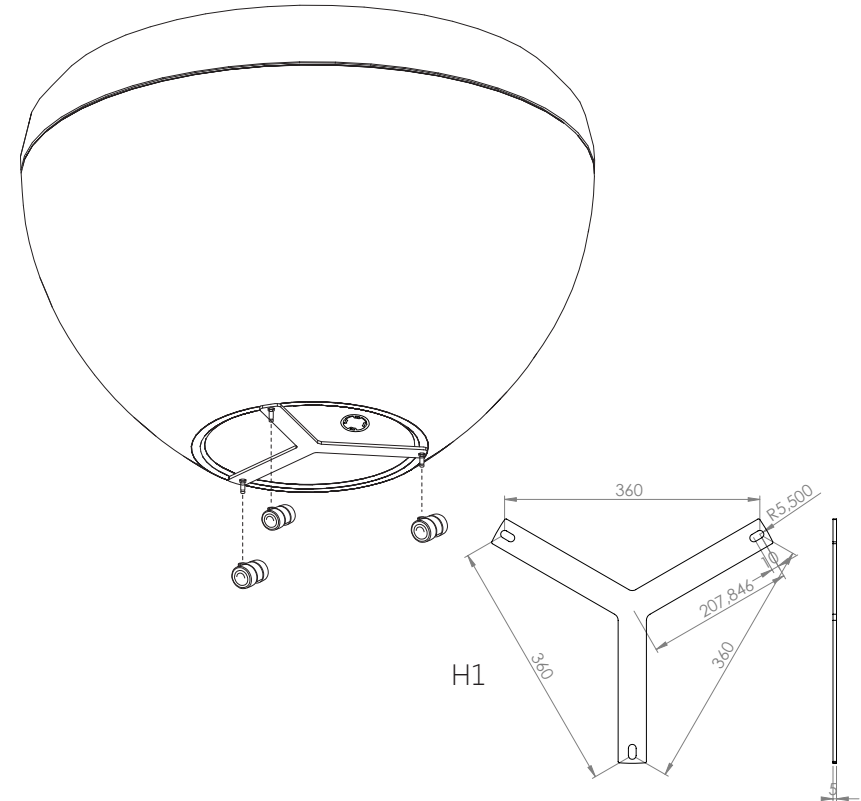
Nature container

## Mounting of castors on Scoop with fittings

- 1 Place Scoop upside down on for instance the wrapping.
- 2 Turn the enclosed threaded bolt up through the fitting up into the bushing in Scoop.



- 2 Push the castor up into the threaded bolt, until it says click.



The castor stands a dynamic load of 50 kos and a static load of 100 kos (totally for 3 castors 150/300 kos). Scoop weighs approx. 100-120 kos inclusive of soil and plant.

# scoop

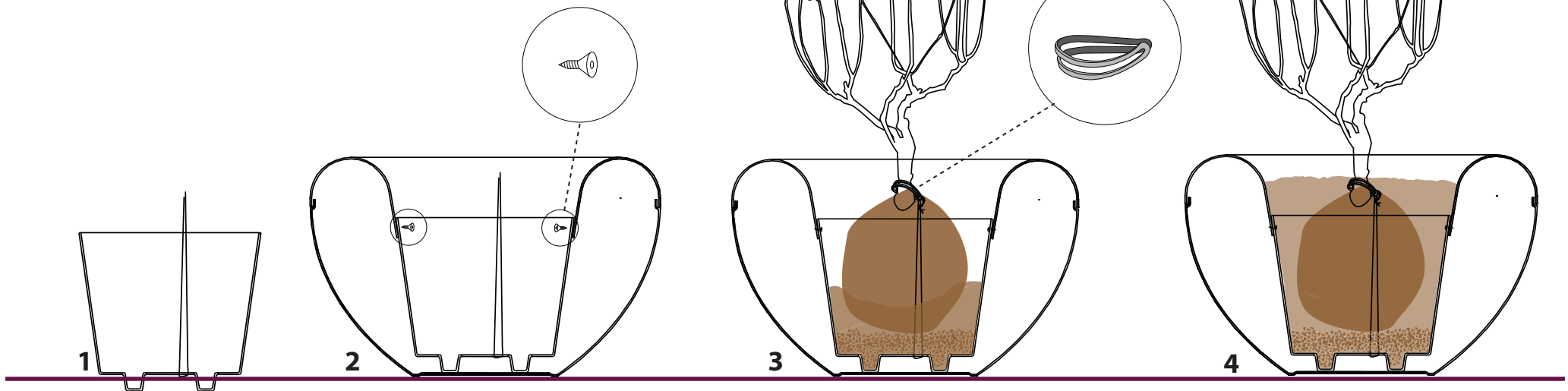
Nature container

## Fixing of tree to Scoop

- 1** Fix steel wire through the holes at the bottom of the self-watering part.
- 2** Screw screws from the self-watering part into Scoop's upper part as shown (see also fixing)
- 3** Put some soil and maybe leca pellets in the bottom of the self-watering part and put the tree down on top of it. Fix a rubber webbing around the trunk. The webbing must not be too tight around the trunk, as this will stunt the growth of the tree.

- 4** Pull steel wire through the webbing and twist the wire several times around itself, until it seems quite firm. Cover webbing and steel wire with soil.

These directions for fixing of Scoop in public domain are only instructive. Storm Design will not guarantee for any theft of or vandalism on Scoop.





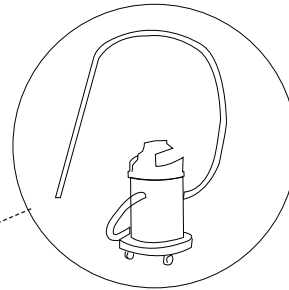
# scoop

Nature container

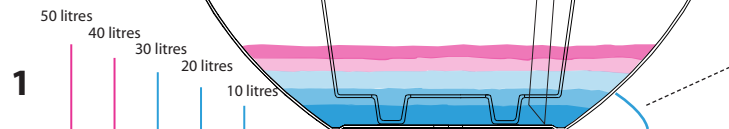
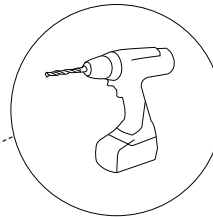
## Scoop water – rain water

- 1** Scoop contains 30 litres of water when the water reaches the bottom of the self-watering part. Plants will drown, if they stand in water for a long time. Therefore, the water level should now and then be measured with a water gauge (to be ordered separately). Vacuum Scoop with water vacuum cleaner through the tube for the water gauge, if the water level is too high. Alternatively, drill a little hole approx. 7-10 cm up the side (drill diameter 5), if you do not want to water vacuum (NB! Only if Scoop is placed outside).

Water level in Scoop when holding:	
10 litres	3.8 cm
20 litres	7 cm
30 litres (bottom)	10 cm
40 litres	13 cm
50 litres	18 cm

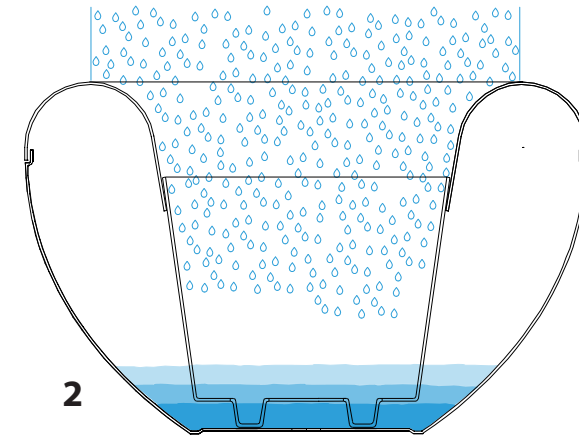


OR



- 2** If it rains 20 mm, there will be approx. 8.8 litres of water in Scoop.  
If it rains 70 mm, there will be approx. 30.1 litres of water in Scoop, corresponding to the bottom of the self-watering part. The calculation does not take into account the water that the tree absorbs or displaces.

Amount of rain water of litres	Amount of litres
10 mm	4.4 litres
20 mm	8.8 litres
30 mm	13.2 litres
40 mm	17.7 litres
50 mm	22.1 litres
60 mm	26.5 litres
<b>70 mm</b>	<b>30.1 litres</b>
80 mm	35.3 litres
90 mm	39.7 litres

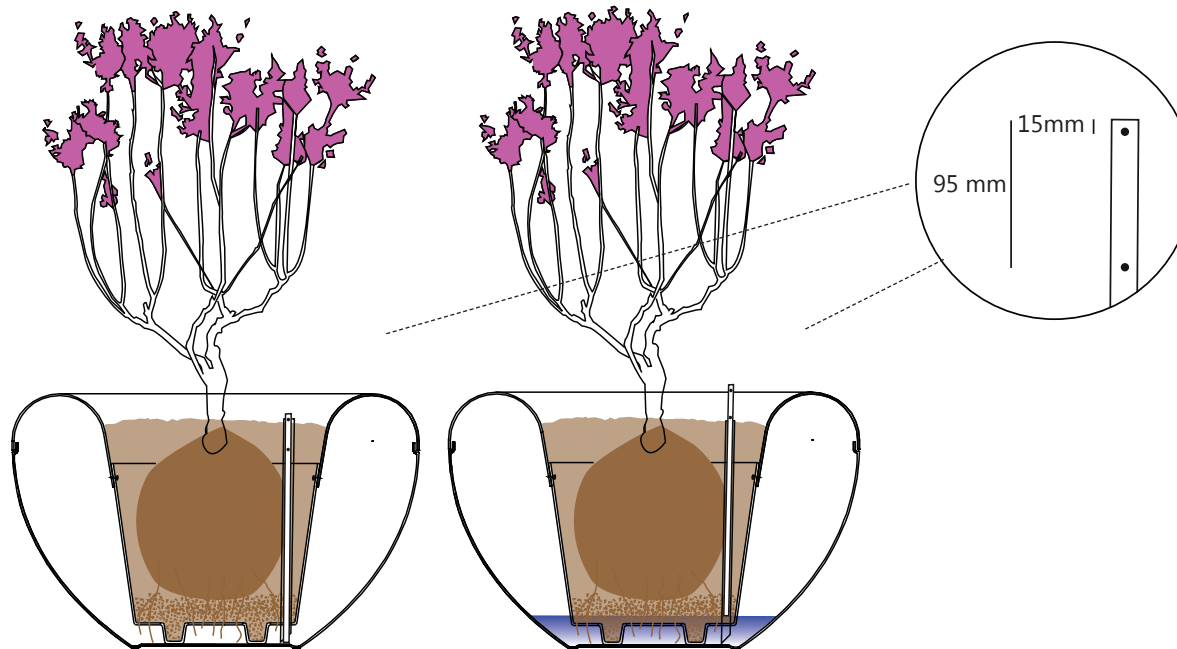


# scoop

Nature container

## Water Gauge

- 1 On receipt of the water gauge:  
Mark with a waterproof marker:
  1. 15 mm mark shows that the dipstick stands at the bottom of Scoop.
  2. 95 mm mark shows, when the water level reaches the bottom of the self-watering part.**It is recommended to measure the water level regularly.**



## Cleaning instructions

- 1 Use high-pressure cleaner in combination with a soft sponge on very dirty areas (not at the same time).
- 2 Rubber and Plastic Cleanser the same as is used for cars). Spray onto Scoop when dry and wipe off with a soft cloth. The cleanser removes stains and gives a fresh and new surface but is seldom necessary. Or: Use basic detergent, a soft sponge and hot water. However, the above-mentioned is better.