



Normandie

bin bay screens / fencing panels



measurements

WEIGHT (kg)

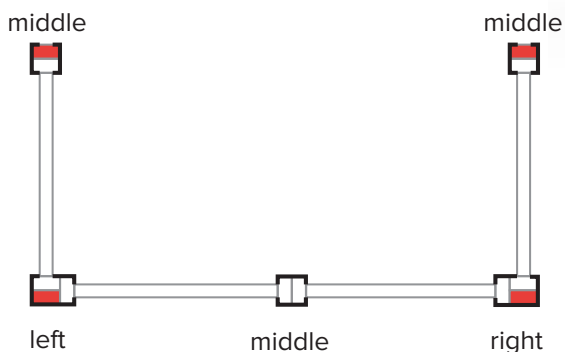
100 x H 125 (+ H 60)	40
130 x H 125 (+ H 60)	50
100 x H 139 (+ H 45)	60
130 x H 139 (+ H 45)	70
100 x H 153 (+ H 30)	55
130 x H 153 (+ H 30)	65
100 x H 180	60
130 x H 180	70



corner post

H125 (6x12) (+H60cm)
 H139 (6x12) (+H45cm)
 H153 (6x12) (+H30cm)
 H180 (6x12)






support



* At the end of the fence and in the corners, an extra 6 x 12 cm corner post is used.



available colours

 Andes Green	 Sand Beige
 Quartz Brown	 Mineral Grey
	 Ural Black

main advantages



100% plastic waste



Maintenance free



Rot-proof



Natural texture



Graffiti resistant



Splinter-free



Coloured throughout



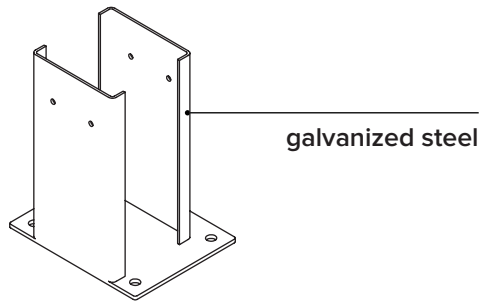
Weatherproof



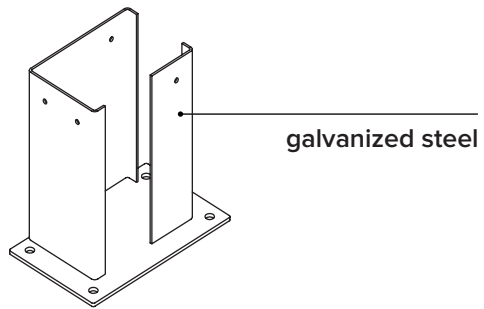
Completely recyclable

anchoring

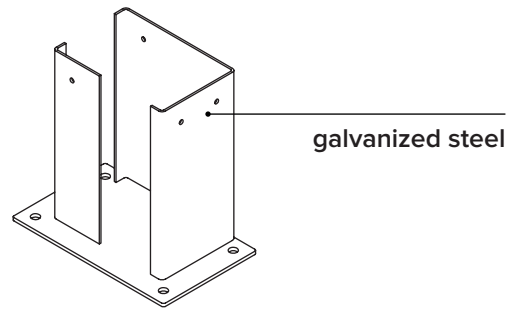
middle support



corner support
right



left



anchoring in loose soil

