

Solar Smart Bench 6180



SolarCapture



**High Quality, High Performance
Recycled Plastic Products**



A man with a beard, wearing a dark checkered shirt and blue jeans, is sitting on a dark metal bench in a garden. He is looking down at a smartphone in his hands. The background features green bushes, a stone pillar, and a building with grey shutters under a clear blue sky.

Smart Charging Smart Connectivity

Shaping the future of
our urban environments

Wireless Charging for Smart Devices





Solar Smart Bench 6180

High-performance, high-quality recycled plastic smart bench that harmonises effortlessly into architectural, urban and landscape environments.

FEATURES

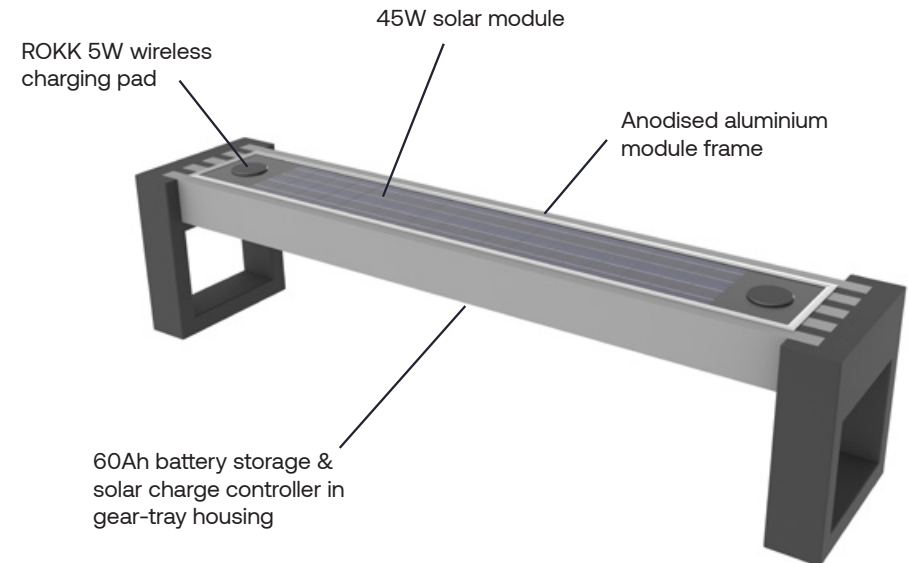
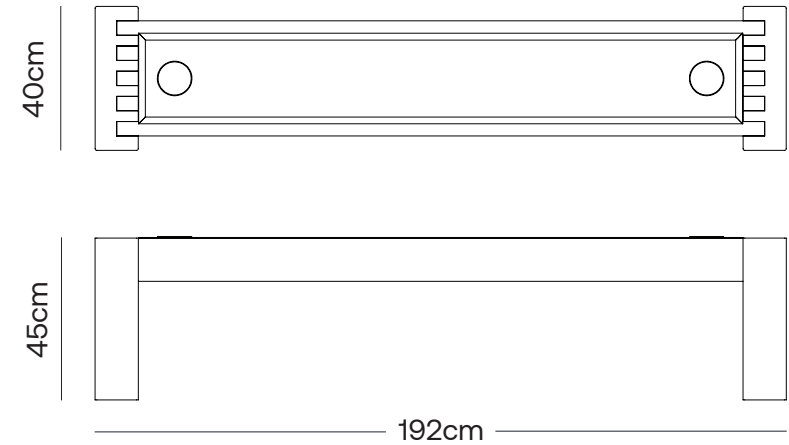
- Solar Power autonomy
- Wireless mobile device charging
- Fully waterproof / weatherproof
- Quality build materials
- Easy install and mobility

SPECIFICATION

- 100% recycled plastic bench construction
- 45W toughened glass solar module
- 60Ah battery capacity
- ROKK IPX6 waterproof 12/24V wireless charging pads
- Replaceable battery gear tray

CUSTOMISATION

- USB 2.0 ports
- Wi-Fi booster
- Themed / branded ends
- Signage / Advertising
- Data gathering
- 4 x colour options



Have questions on how
a Smart Solar Bench
can work for you?

SolarCapture

Solar solutions for
people and planet.

enquiries@solarcapturetechnologies.com
phone: +44 (0) 1670 704509
www.solarcapturetechnologies.com

Photovoltaic Technology Centre
Albert St. Blyth.
NE24 1LZ



Quality Recycled
Products

sales@goplastic.co.uk
phone: +44 (0) 2922 801 294
www.goplastic.co.uk

160 Marlborough Road,
Cardiff
CF23 5BZ