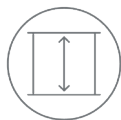


Hoardfast Firescreen is a quick to install, modular, internal screening system that can be used free-standing with Westgate's unique universal support, or fixed floor-to-ceiling. Available in a range of heights Hoardfast Firescreen is a 60 minute fire rated panel - Euro Class EN 13501-2:2008 A2 s1 d0 fire class rating and EI60 fire resistance



Floor-to-ceiling or freestanding



Quick installation



60 minute fire rating



Reusable and sustainable



Next day delivery

## FEATURES & BENEFITS

FEATURES	BENEFITS
Modular ready to install system	<ul style="list-style-type: none"> <li>Quick, clean, easy installation saves time and money on site setup</li> <li>Easy to configure as required</li> </ul>
Fire rated panel - Euro Class EN 13501-2:2008 A2 s1 d0 and EI60 fire resistance	<ul style="list-style-type: none"> <li>Simple and effective floor to ceiling 60 minute fire protection</li> </ul>
Panels provide additional acoustic insulation	<ul style="list-style-type: none"> <li>Reduce the impacts of construction noise on the surrounding areas</li> <li>Create quieter internal site office and welfare spaces</li> </ul>
Sustainable product that can be reused	<ul style="list-style-type: none"> <li>Install and demount the product multiple times giving medium- and long-term savings.</li> <li>Reduces waste and environmental impact on construction projects</li> </ul>
2.25m, 2.7m, 3.1m, 3.5m, 4.0m, 4.5m standard panels heights	<ul style="list-style-type: none"> <li>Create quick floor to ceiling or free-standing partitions</li> <li>Configure as required</li> </ul>
Next day delivery from large UK stock*	<ul style="list-style-type: none"> <li>Get items to site when you need them to prevent delays</li> </ul>
Easy fit single and double doors (with Digi lock)	<ul style="list-style-type: none"> <li>Create restricted access to construction sites or site offices and welfare spaces</li> </ul>

\*Deliveries to mainland UK



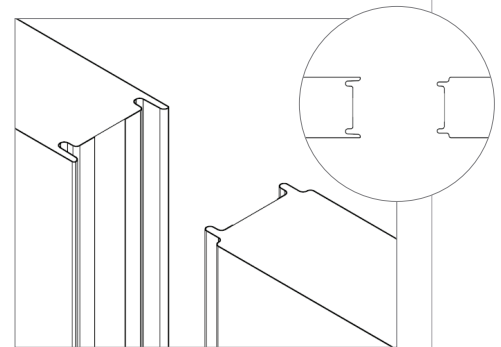
Panels are 80mm thick white steel faced with a mineral wool filling, when used floor to ceiling they create a 60-minute fire retardant wall. Available for purchase on next day delivery.



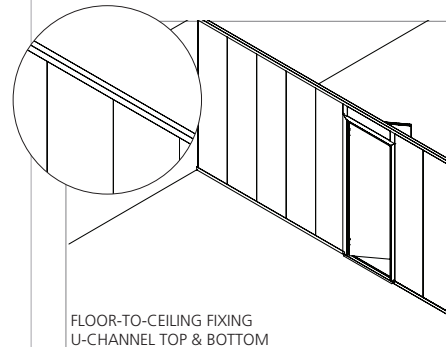
## TECHNICAL SPECIFICATIONS

<b>Material composite</b>	White steel faced mineral wool filled
<b>Connection method</b>	Tongue and groove push fit
<b>Panel Fire rating</b>	Euro Class EN 13501-2:2008 A2 s1 d0 and EI60 fire resistance
<b>Standard panel heights</b>	2.25m, 2.7m, 3.1m, 3.5m, 4.0m, 4.5m
<b>Panel width</b>	1m
<b>Panel thickness</b>	80mm
<b>Panel weight</b>	16.2 kg/m <sup>2</sup>
<b>Support options</b>	Floor to ceiling; supplied with u-channel fixings or Free-standing; universal support

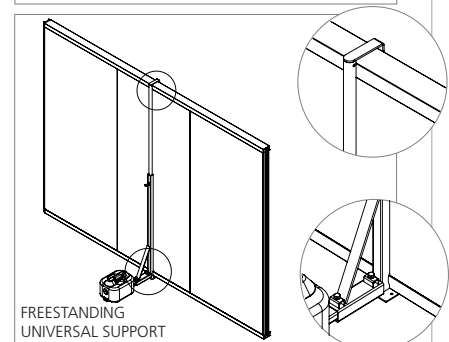
## TECHNICAL SPECIFICATIONS



Panels join with a push fit tongue and groove system. Corner posts and T-sections also available.



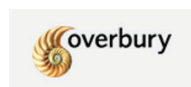
FLOOR-TO-CEILING FIXING  
U-CHANNEL TOP & BOTTOM



FREESTANDING  
UNIVERSAL SUPPORT

Firescreen can be installed floor to ceiling using supplied u-channels or for a freestanding system choose our universal support, which can hold 1 - 6 16kg weights.

HOARDFAST SOLUTIONS ARE USED BY MANY INCLUDING...



This fact sheet is for illustrative purposes only and based on the latest information at the time of print. Installation methods may vary depending on specific project requirements. Westgate reserve the right to make changes at any time without notice.

westgateuk.co.uk +44 (0)1785 242181 salesteam@westgateuk.co.uk