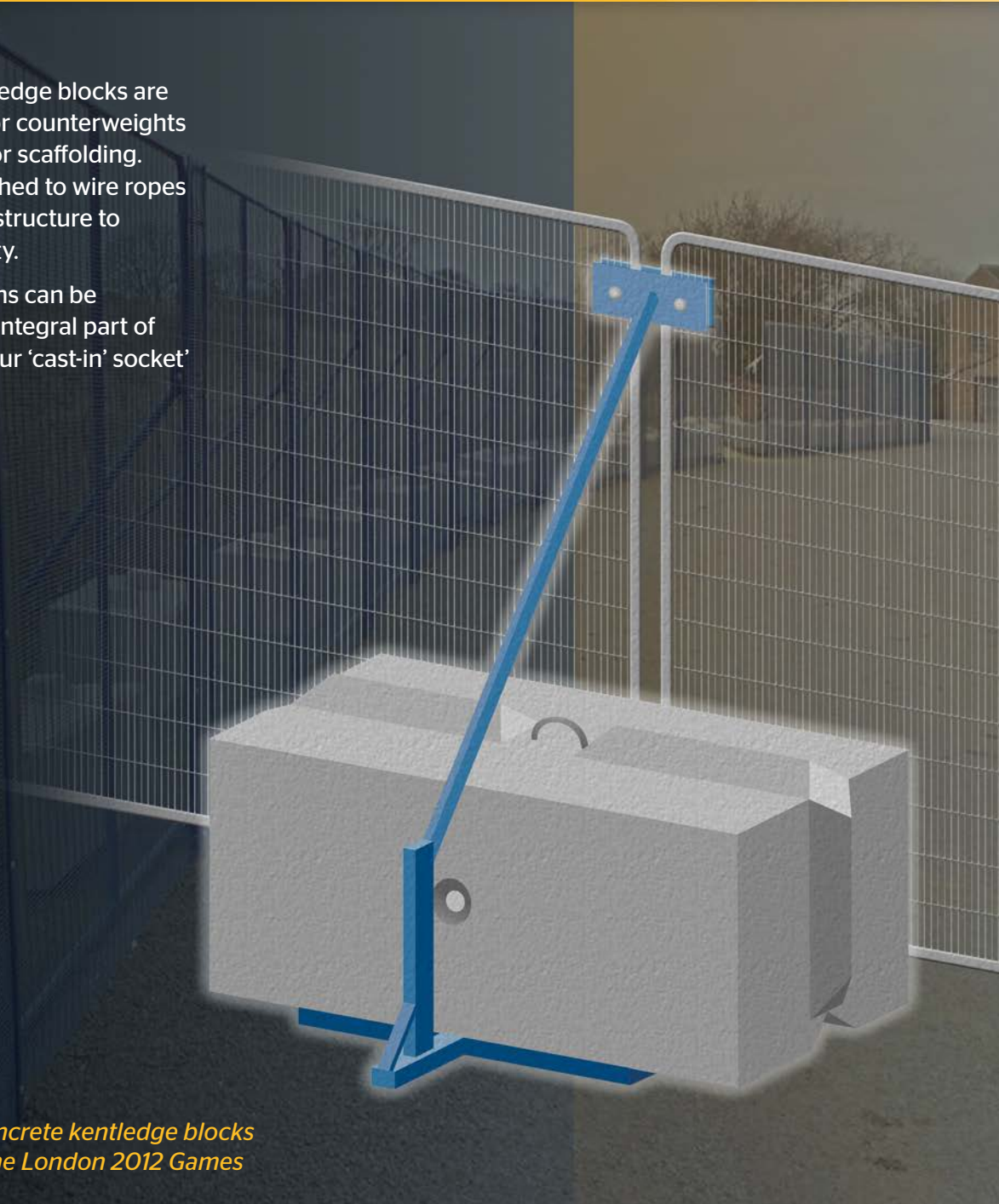


## Kentledge Blocks

Precast concrete kentledge blocks are used to act as ballast or counterweights for fencing, hoarding or scaffolding. They can also be attached to wire ropes which are fixed to the structure to provide greater stability.

Timber or steel columns can be accommodated as an integral part of the block by utilising our 'cast-in' socket structures.



*Supplier of precast concrete kentledge blocks  
(Olympic venues) to the London 2012 Games*

For more information on Elite quality concrete products  
phone 01952 588 885 or browse [www.eliteprecast.co.uk](http://www.eliteprecast.co.uk)

# Kentledge Blocks

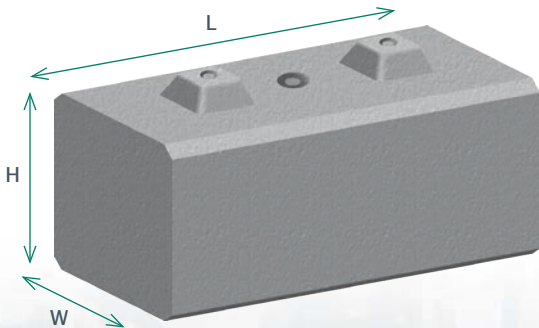
## Block types

Elite offer two products from our range which can be used as ballast blocks. These are the two connector 'lego' style block or the heavier V-block, both of which can be stacked two high for extra stability.

The blocks shown are our most popular. Should you require different sizes then please refer to their respective product pages, p11 for Interlocking blocks and p13 for V-blocks.

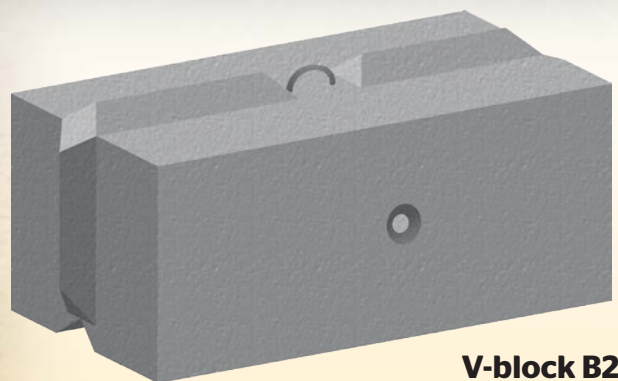
However if your requirements cannot be accommodated by our standard blocks we offer a solution through our bespoke design service.

## Interlocking block BL2



## Fencing blocks

Length	Width	Height	Weight	Code
1200mm	600mm	450mm	750kg	BL2
1830mm	610mm	610mm	1600kg	B2



**V-block B2**

*Supplier of precast concrete kentledge blocks (Olympic venues) to the London 2012 Games*



Elite Precast Concrete Limited  
Halesfield 9, Telford, Shropshire TF7 4QW  
Tel: 01952 588885 Fax: 01952 582011  
[www.eliteprecast.co.uk](http://www.eliteprecast.co.uk)