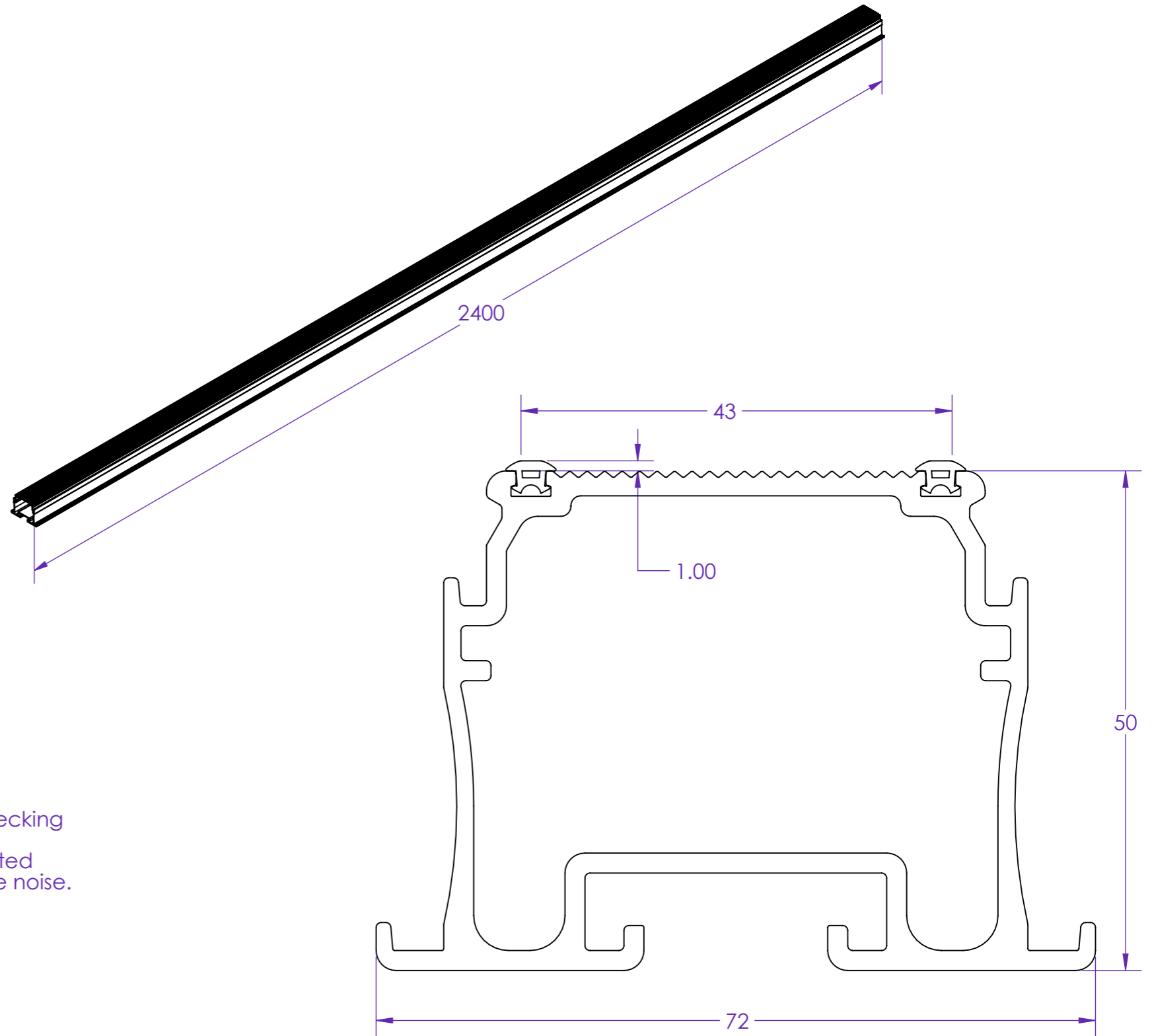
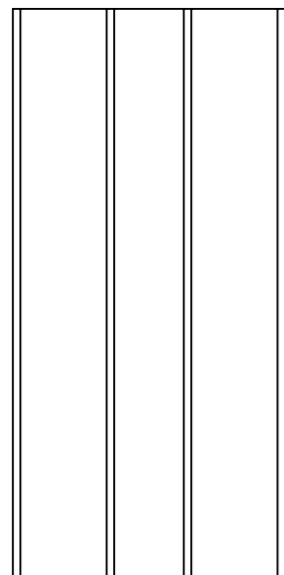
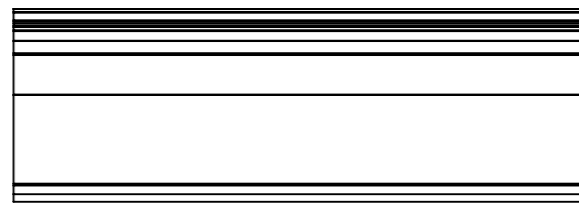
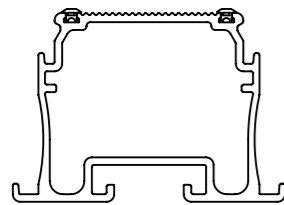
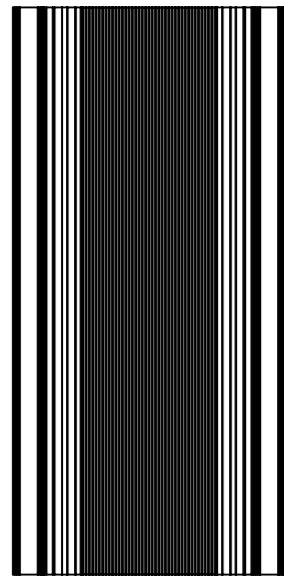


All dimensions in mm. Figured dimensions to be used in all cases. Do not scale from this drawing.
 The contractor is responsible for checking dimensions, tolerances & references.
 Any Discrepancies to be verified with Kinley Systems Ltd before proceeding with works.
 This drawing may not be copied or disclosed without permission from Kinley Systems Ltd.

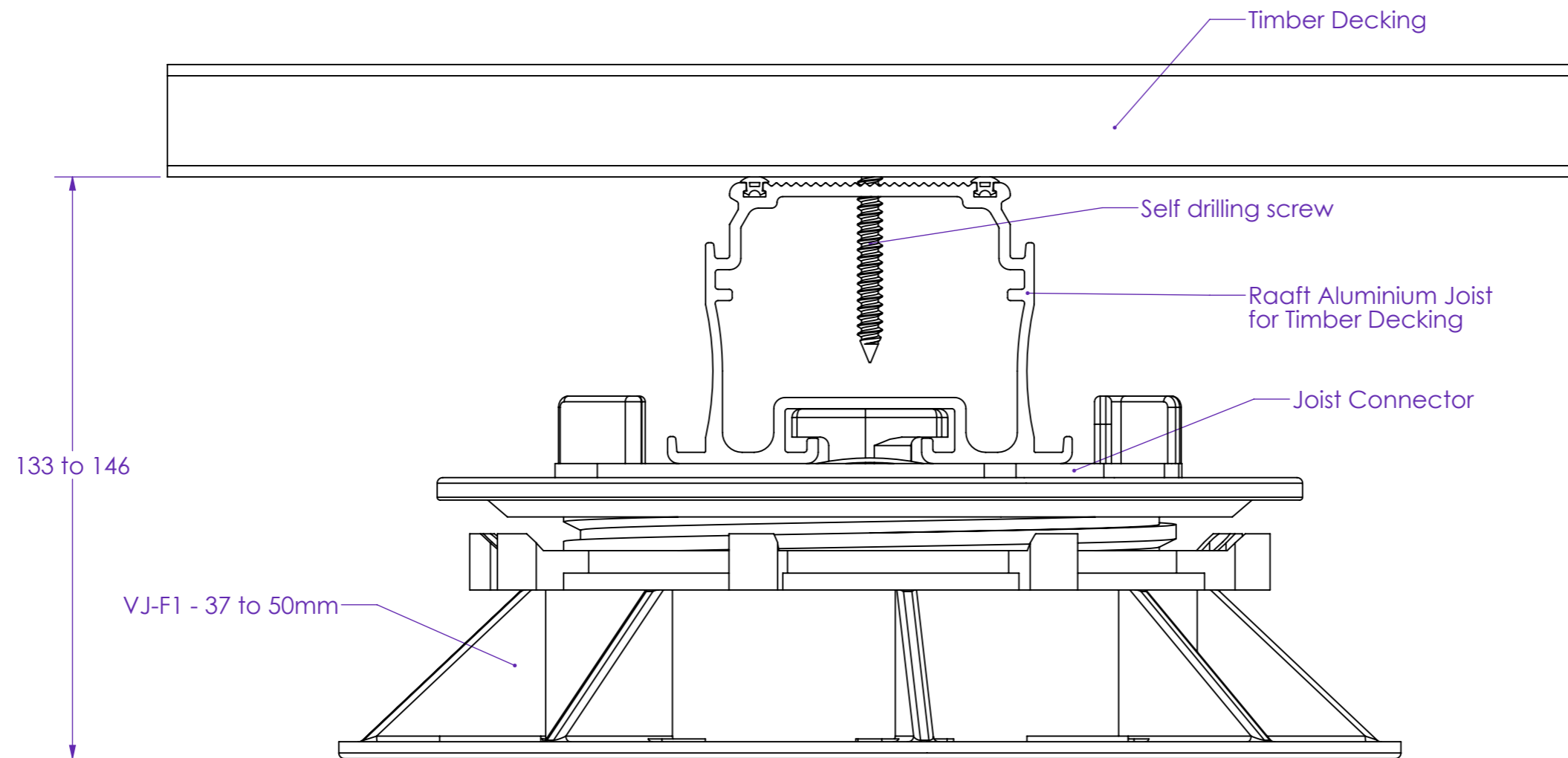


Raaf Joist for screw down Decking
 Available in 2.4m Lengths
 Ral. 8028 Brown powder coated
 with rubber inserts to minimise noise.

Drawing Title	Raaf Aluminium Joist for Timber Decking
Product Code	303010
Range	Joists
Collection	Raaf
Division	Support Structures

Page Title	General Details		
Page Num.	1 OF 2	Page Scale @ A3	1:2
Revision	1		
Issue Date	09/01/2019	Original Date	07/01/2019
Modified By	John Larkin	Drawn By	John Larkin
Kinley Systems Ltd, Northpoint, Compass Park, Staplecross, East Sussex TN32 5BS (+44) 01580 830 688 / Sales@kinley.co.uk / www.kinley.co.uk			





Drawing Title	Raaft Aluminium Joist for Timber Decking
Product Code	303010
Range	Joists
Collection	Raaft
Division	Support Structures

Page Title	Typical Construction Build-Up		
Page Num.	2 OF 2	Page Scale @ A3	1:1
Revision	1		
Issue Date	09/01/2019	Original Date	07/01/2019
Modified By	John Larkin	Drawn By	John Larkin
Kinley Systems Ltd, Northpoint, Compass Park, Staplecross, East Sussex TN32 5BS (+44) 01580 830 688 / Sales@kinley.co.uk / www.kinley.co.uk			

