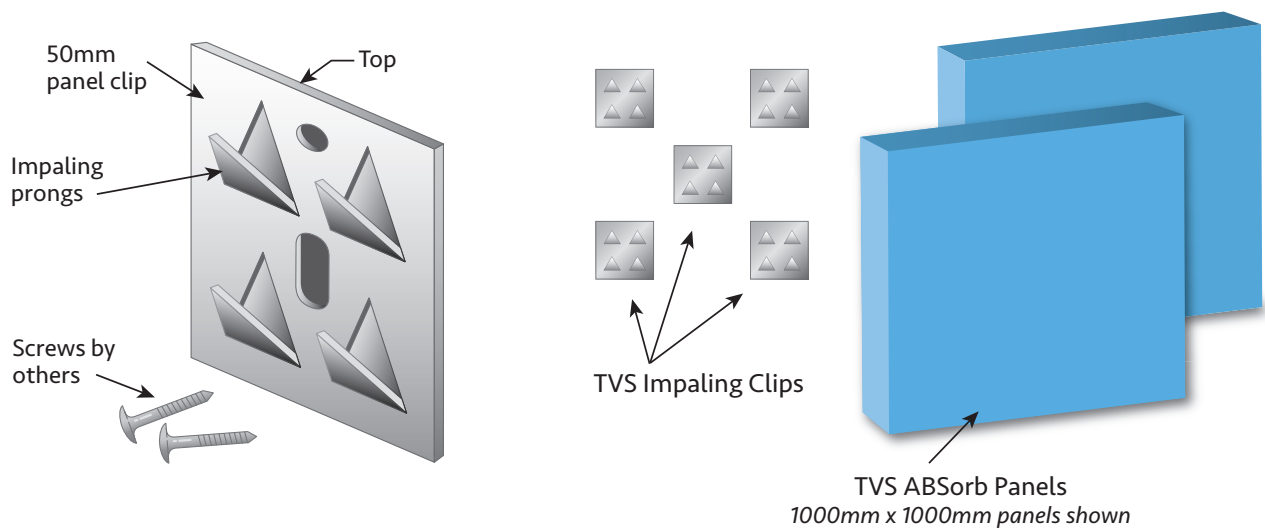


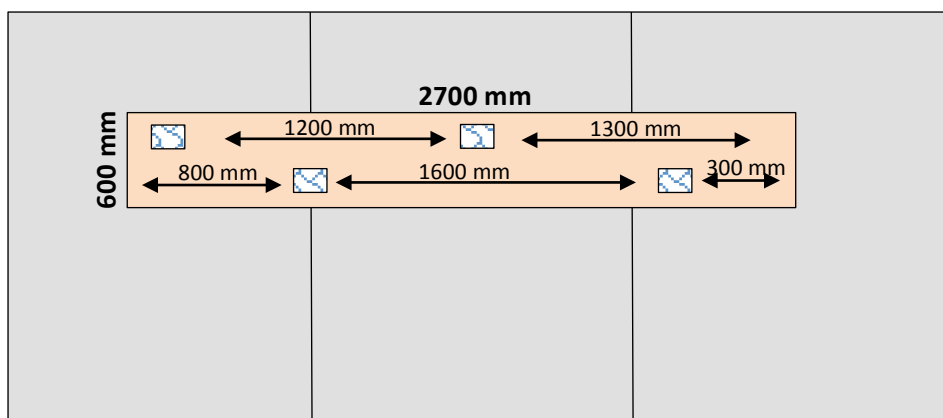
### TVS ABSorb Impaling Clip Install

TVS Absorb Panel bespoke impaling clip install allows for a secure installation of the acoustic wall panels. The acoustic wall panel is simply bonded to the wall by using impaling clips and adhesive. This method can only be used to achieve Class A if you choose our TVS Absorb 50mm or 40mm panel.



### TVS Impaling Clip Arrangement Guidelines

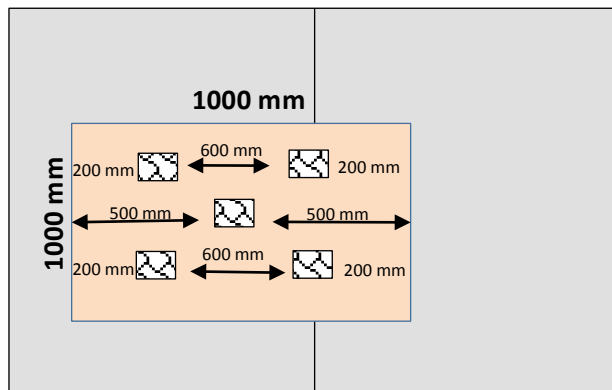
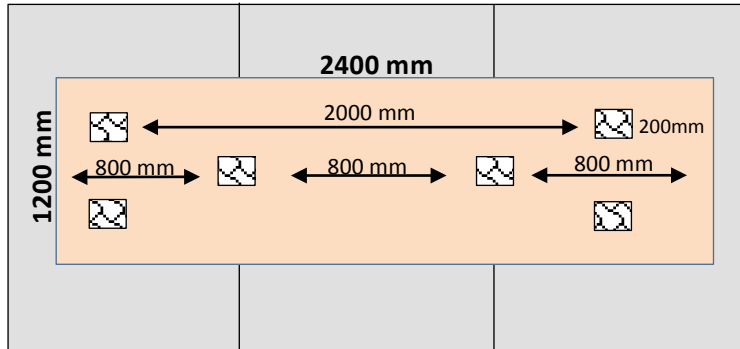
See below for various impaling clip arrangement, the plasterboard walls are at 1200mm centres, the image below also shows the impaling clips installed at 600mm centres, which should allow the impaling clips to locate and fix them into the metal stud work. If the studwork cannot be found on some of the bespoke size panels then please use a plasterboard fixing. All impaling clips should be used in conjunction with the TVS construction adhesive.



# TVS ABSorb Panel

## INSTALLATION GUIDE

### TVS Impaling Clip Arrangement Guidelines (*continued*)



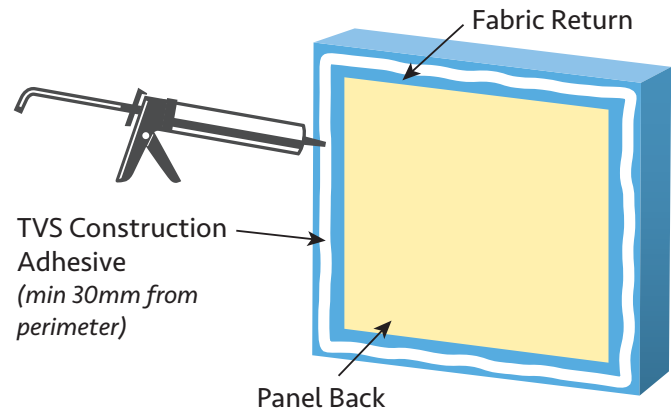
### Method of Install

- Determine where panels are to be installed.
- Screw TVS Impaling Clips into place on wall using 2 no screws fixing into the metal stud work or use plasterboard fixings if you cannot locate the metal studwork.
- Clean wall surface and apply the TVS Construction Adhesive to panel back around the full perimeter as shown (adhesive to be applied to fabric return ONLY). Always use the pre-cut nozzle with the construction adhesive.
- Position panel approximately 12mm higher than desired panel resting position and impale panel onto clips with a downward motion until the impaling clips have impaled into the acoustic panel.
- Once the panel has been installed ensure some light pressure is applied to the full perimeter to ensure the construction mastic has adhered to both the panel and wall.

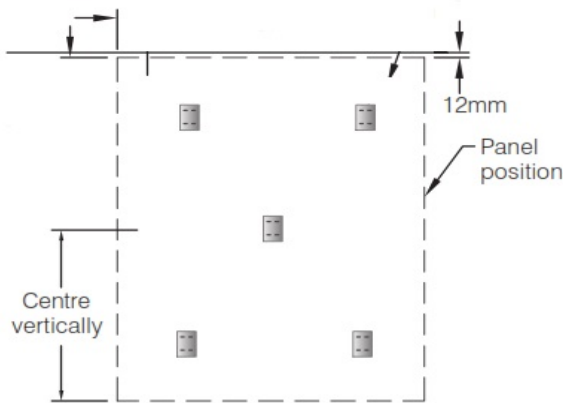
# TVS ABSorb Panel

## INSTALLATION GUIDE

### Method of Install *(continued)*



Adhesive to be applied to fabric return only

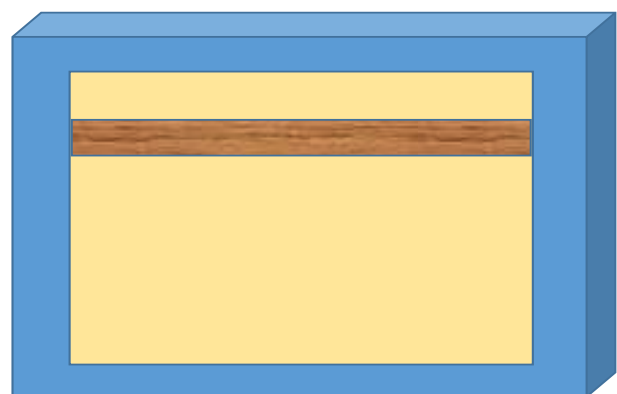


Clip placement is approximate

50mm Panels	
Panel Length & Width	No of Impaling Clips
Up to 2.7m length and 0.6m width	4-6 Clips
Up to 2.7m length and over 1.2m width	6-9 Clips

### TVS ABSorb Split Batten Fixing Install

TVS ABSorb Panels Class A acoustic absorption rating can be achieved with our 40mm & 50mm panel, these can also be installed with a 25mm or 50mm air gap between the wall and the panel. This is achieved by our secure fixing method option of a split batten fixed to the wall and also fixed to the back of the acoustic panel. See picture below of the split batten installed in the back of the panel, which consists of a 12mm x 50mm ply timber batten already manufactured into the panel for a secure fixing method for the split batten.



**TVS ABSorb Panel**  
Product Data Sheet PDS 1.1 TVS ABSorb Panel  
Revision: 1.1  
Issued: 17/02/2017