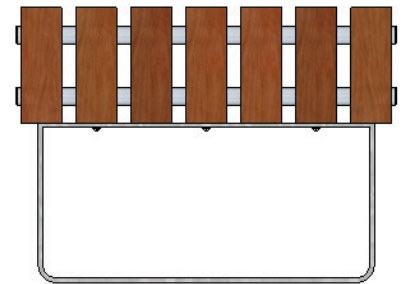
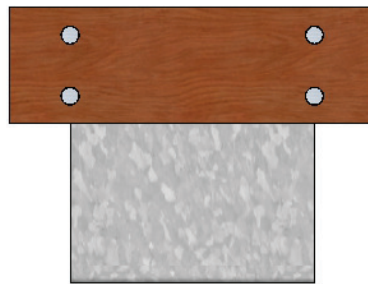
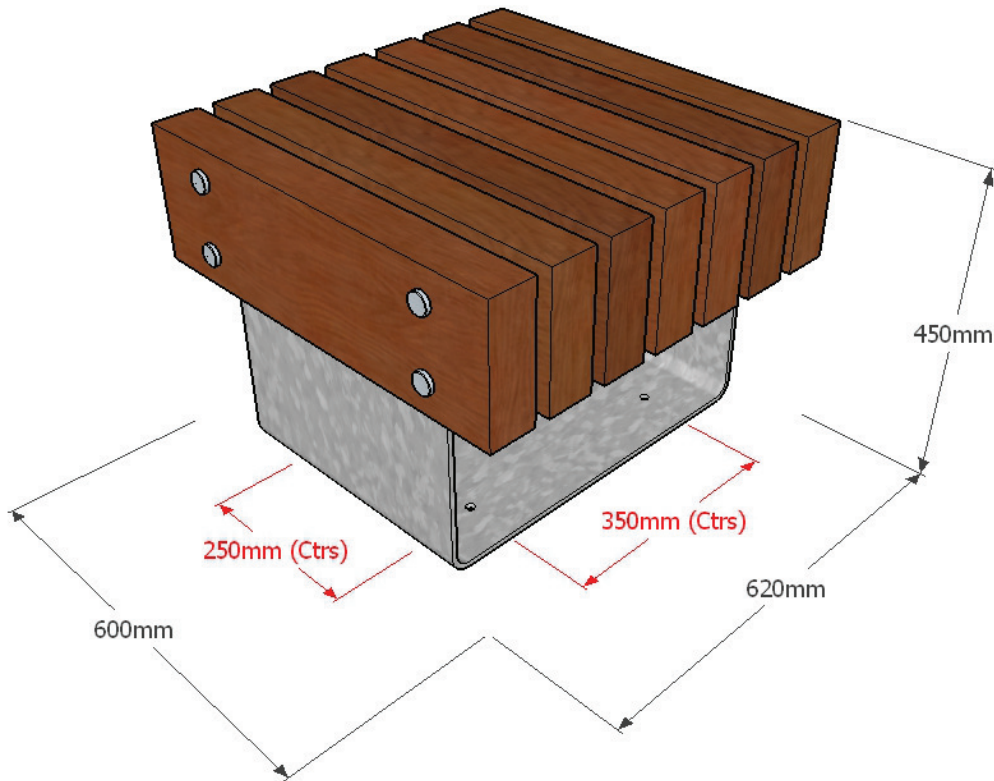
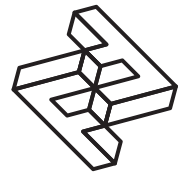


# FACTORY FURNITURE

## QUAY Stool



### SPECIFICATIONS

#### Composition

*Slats* - FSC® certified tropical hardwood or FSC® certified tanalised timber

*Frame* - Hot dipped galvanised mild steel

#### Wood finish

Natural finish as standard. (Oil or microporous woodstain available on request). Tanalised finish left untreated as standard.

#### Dimensions

*Metric* L - 600mm | W - 620mm | H - 450mm

*Imperial* L - 1' 11½" | W - 2' ½" | H - 1' 5½"

**Approx weight** 135kg



#### Fixing centres & method

250mm (10") x 350mm (1' 2") - Legs fixed with 4 off resin anchors

#### Foundation

2 no. pads 400 x 400 x 600 mm in C20 concrete (recommendation only)

#### Handling

Please observe health & safety lifting guidelines. A fork lift or crane will be required for off loading and positioning of items

#### Maintenance

Depends on usage and position. All elements will require annual cleaning. Wood should be treated every other year if coated. Galvanised steel will require maintenance only if damaged