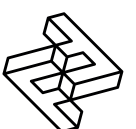


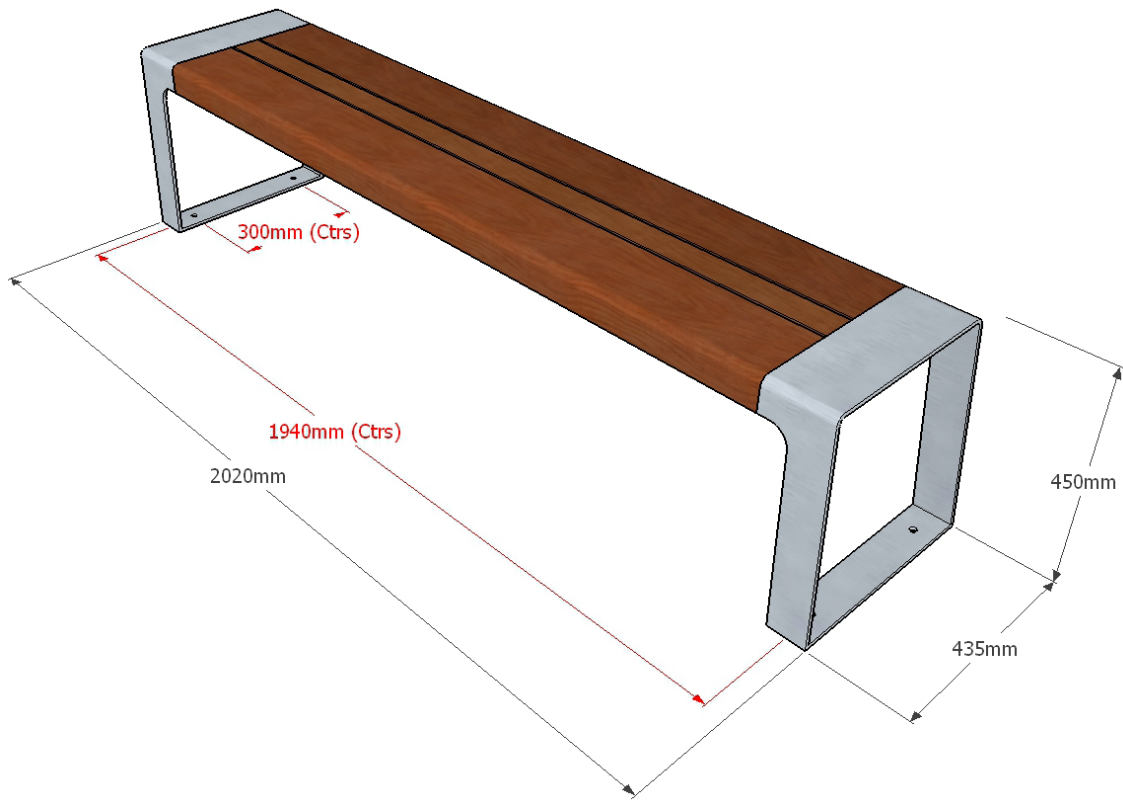
FACTORY FURNITURE



Murton Wood Bench

TECHNICAL SHEET





Composition

Slats - FSC® certified tropical hardwood

Frame - Stainless steel or mild steel



Finish

Natural finish as standard. (Oil or microporous wood-stain available on request). Stainless steel - satin polished finish. Mild steel option - galvanised and polyester powder-coated.

Dimensions

Metric L 2020mm | width 435mm | height 450mm
Imperial L 6' 7½" | width 1' 5" | height 1' 5½"

Approx weight

79kg

Fixing centres & method

1940mm (6' 4½") x 300mm (12")

4 resin fixed anchors (2 per leg)

Foundation

2 no. pads 600 x 400 x 300 mm in C20 concrete (recommendation only)

Handling

Please observe health and safety lifting guidelines. A fork lift or crane will be required for off-loading and positioning of items.

Maintenance

Depends on usage and position. All elements will require annual cleaning. Wooden elements should be treated every other year if coated. Stainless steel requires no maintenance.

