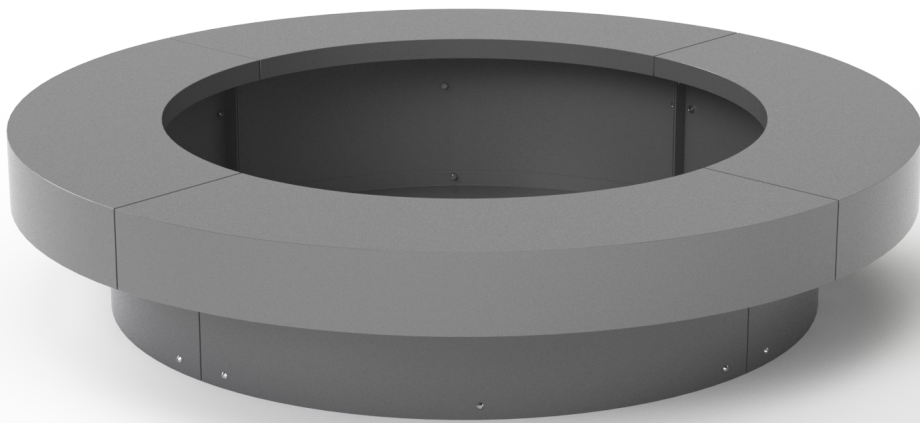
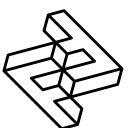


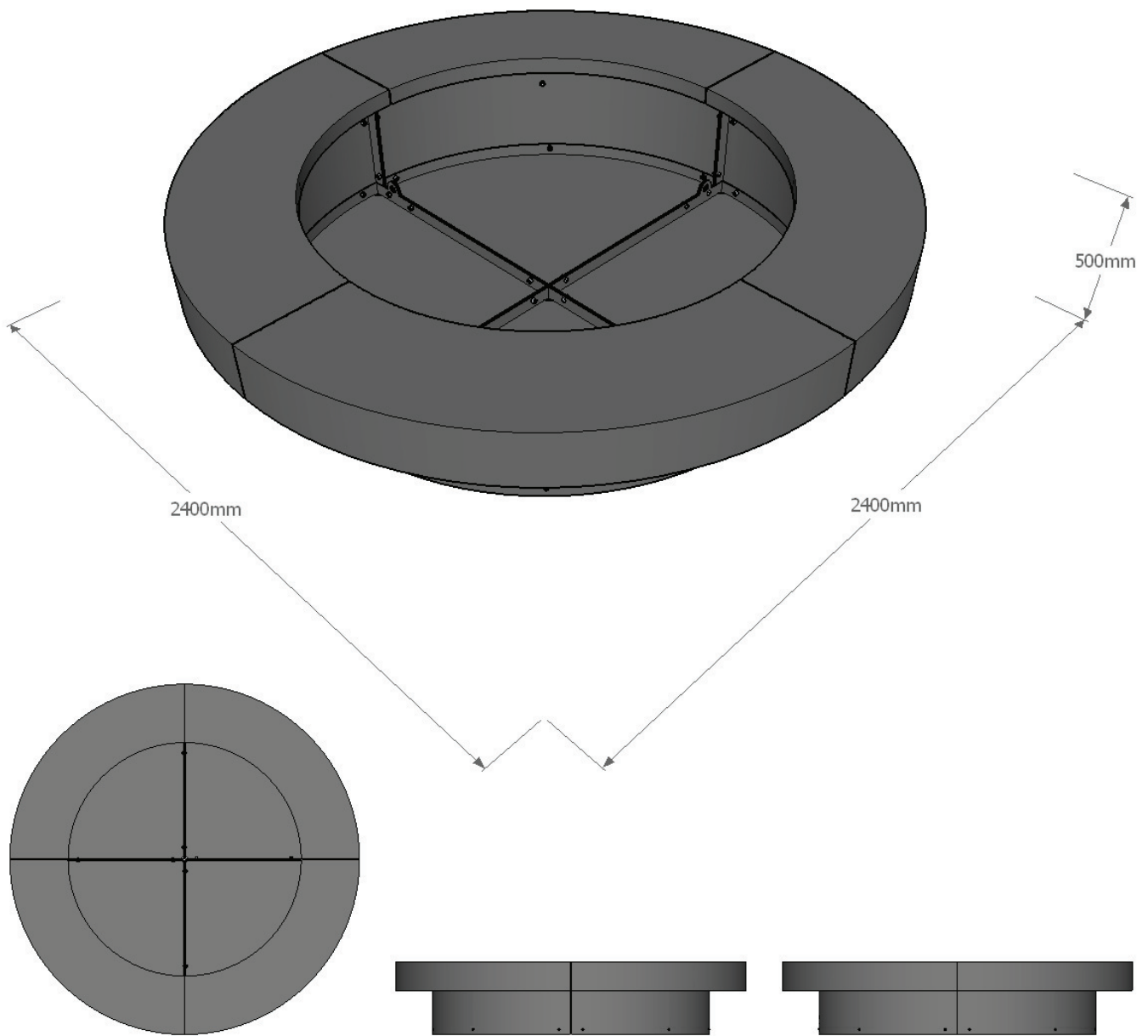
# FACTORY FURNITURE



Tophat Planter (2.4x0.5m)

TECHNICAL SHEET





## Composition

Galvanised mild steel\* or option for Corten steel

## Finish

Polyester powder coated finish (colour - grey as standard or to customer specification)

## Dimensions

Metric L 2400mm | width 2400mm | height 500mm  
Imperial L 7' 10½" | width 7' 10½" | height 1' 7½"

## Approx weight

335kg

## Planter capacity

1200ltrs

## Handling

Please observe health & safety lifting guidelines. A fork lift or crane will be required for off-loading and positioning of item. Integral lifting eyes provided.

## Maintenance

Depends on usage and position. All elements require annual cleaning. Galvanised and powder coated mild steel parts only require maintenance if damaged.

Corten steel requires no maintenance.

\*Please note that when a powdercoat is applied over a hot dip gal Metric L 2400mm | width 2400mm | height 500mm

Imperial L 7' 10½" | width 7' 10½" | height 1' 7½"  
vanised surface pinholing can occur in the surface finish - this is not considered a defect

