

ALPINE & MELBOURNE RANGES

All-steel all-welded construction - our toughest ranges of seating

The Alpine and Melbourne seating ranges are one-part all-steel products, making them extremely tough and therefore suited to areas that may attract high levels of vandalism. These fully-welded constructions are a high strength product with no fixings or fittings that can be tampered with. The Alpine is available in stainless steel only, with a distinctive arch profile linking the posts and the integrated seating / backrest platform. The Melbourne by contrast has a simpler angular form and is manufactured from mild steel with a galvanised finish, with the option of a supplementary polyester powder or plastic coating to give a coloured appearance. Both ranges employ precision-formed seat / backrest slats from heavy duty flat section material. Seats (with backrests) and backless benches are available in both ranges as standard, in 1820mm long units to comfortably accommodate three people. The support posts are offered for in-ground or bolt-down installation and armrests are an option on all models.

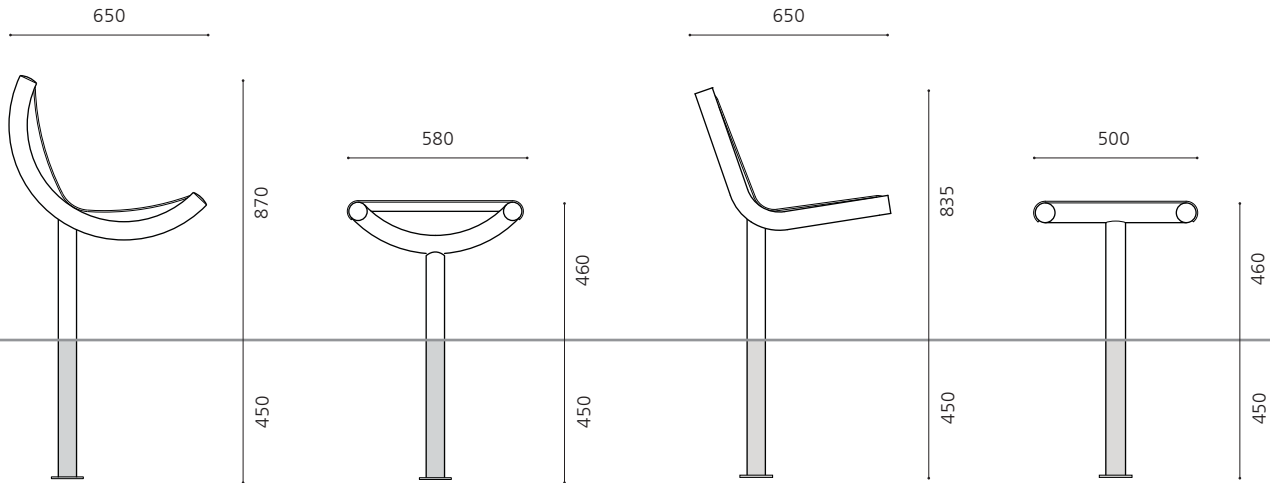
Plastic coating (Melbourne range only)

A hardwearing plastic coated finish is available in the colours shown

■ RAL 9005 - Black	■ RAL 6005 - Green
■ RAL 7001 - Grey	■ RAL 1021 - Yellow
■ RAL 9016 - White	■ RAL 3020 - Red
■ RAL 5015 - Blue	■ RAL 8017 - Brown



ALPINE & MELBOURNE RANGES



ALPINE

All stainless steel construction, G304 satin polished finish

AL 6

3 person seat, 1820 mm long

AL B6

3 person bench, 1820 mm long

OPTIONS:

- Armrests in positions as required
- Base plated posts for bolt-down installation
- G316 stainless steel
- Bright polished finish

MELBOURNE

All steel construction, galvanised finish

ML 6

3 person seat, 1820 mm long

ML B6

3 person bench, 1820 mm long

OPTIONS:

- Armrests in positions as required
- Base plated posts for bolt-down installation
- Polyester powder coated finish, to any RAL colour reference
- Plastic coated finish, in selected colours

Installation:

For in-ground fixing, set posts in concrete foundation of dimensions and specification to provide adequate support for bench, taking account of local ground conditions. For bolt-down versions, each post has a base plate with 4 no. holes for M10 ground fixings (not supplied) for bolting down to a suitable foundation.