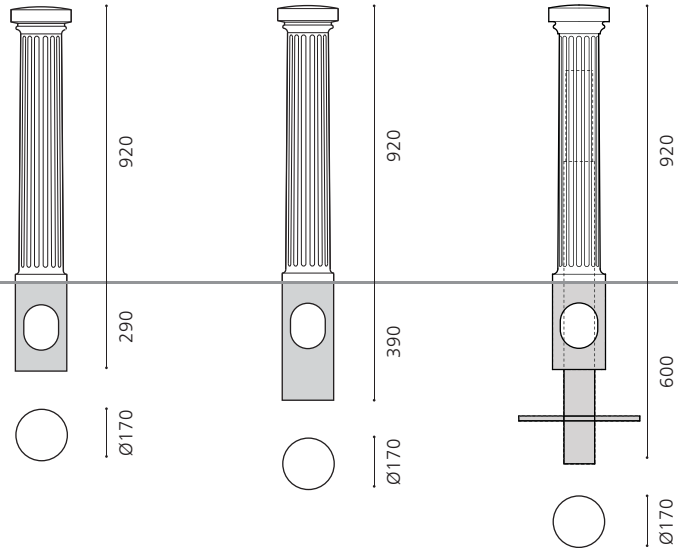


CAST IRON BOLLARDS - DORIC RANGE

Architectural column-style bollards

The Doric bollard - featuring decorative fluted sides and a shallow domed top - is based on the classical Greek architectural column of over 2,000 years ago. This well proportioned and durable bollard is commonplace throughout many UK towns and cities. The basic design is offered in 3 sizes, with additional options of extended root and security versions of the standard mid-size bollard, and the Major is available as a service bollards to house an electrical feed. Removable options are available for the Slimline and standard models. The Capstan bollard - a Doric Slimline but without the decorative flutes - completes this comprehensive range of coordinated bollard designs. The standard bollard is also available in a polyurethane elastomer (PU) material - please refer to the relevant section of the brochure for all PU options. A complementary fingerpost is also part of the Doric family.



DORIC

DOR 520

Cast iron bollard
Weight: 55kg

OPTIONS:

Cast aluminium removable,
lifting weight: 25kg

DORIC DEEP ROOT

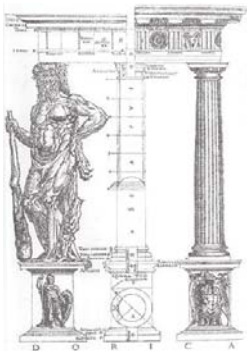
DOR 520 ER

Cast iron bollard
Weight: 64kg

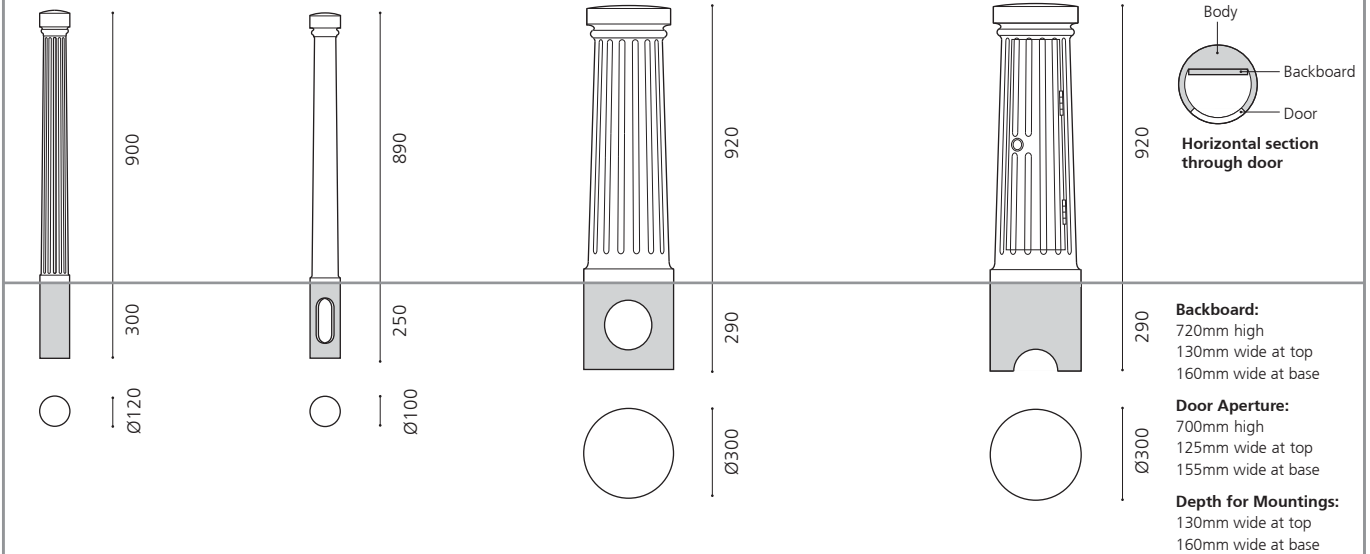
DORIC SECURITY

DOR 520 SC

Cast iron bollard c/w steel
section core in primed finish
Weight: 75kg



CAST IRON BOLLARDS - DORIC RANGE



DORIC SLIMLINE

DOR 520 S

Cast iron bollard
Weight: 20kg

OPTIONS:

Cast iron removable,
lifting weight: 20kg

CAPSTAN

CAP 520 S

Cast iron bollard
Weight: 20kg

OPTIONS:

Cast iron removable,
lifting weight: 20kg

DORIC MAJOR

DOR 520 M

Cast iron bollard
Weight: 120kg

DORIC MAJOR SERVICE

DOR 520 ME

Cast iron service bollard with fitted timber
backboard, & locking hinged door
Weight: 120kg

