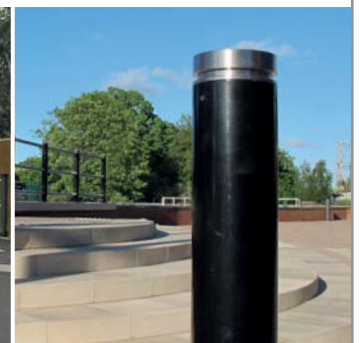


## LINX™ RANGE CYCLE STANDS

### Bollard-based stands with cap & collar options

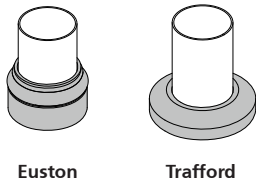
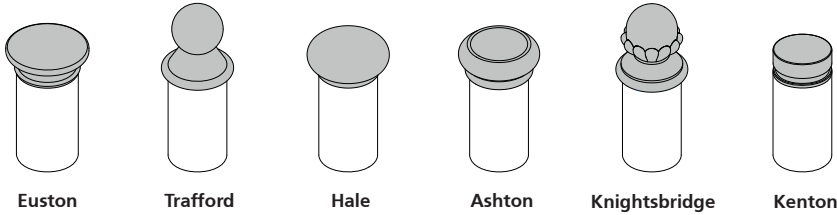
The Linx range of cycle stands utilise the Linx bollard range, with rails added for the purposes of creating a closed loop for attaching cycles to. This adaptable range of products is available in 3 basic styles - two using 2 posts with a simple straight single or double rail connection, and another with a single post and a rail which extends to the ground. There are 6 cap options and 2 optional base collars which add decorative features to the stands, and the range is available with either Ø75mm or Ø115mm posts. Additional rails and / or rails at different heights can be readily offered.



# LINX™ RANGE CYCLE STANDS

## Choose from 6 caps & 2 base collars

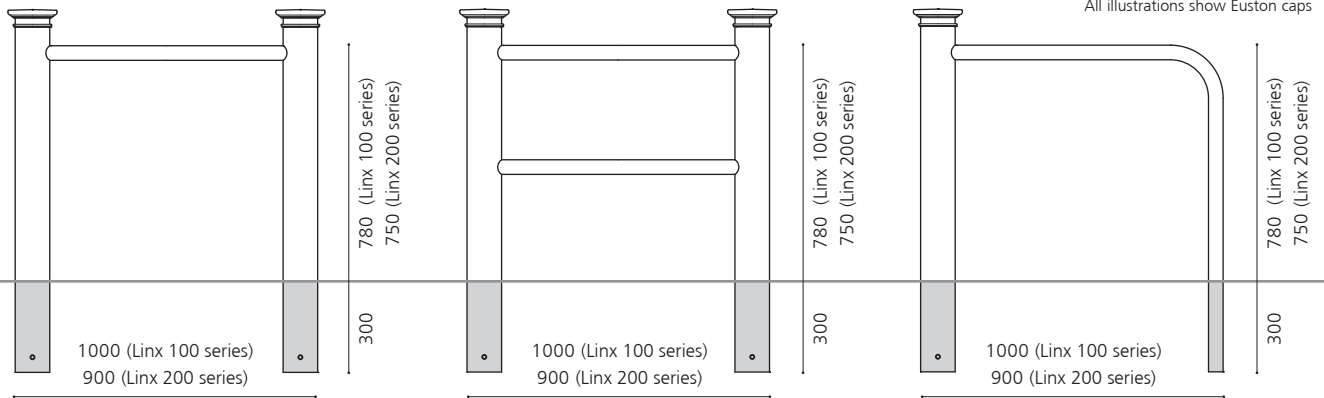
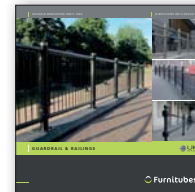
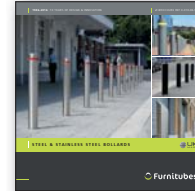
Decorative caps and collars add a decorative contrast to the plain tubular steel body of the cycle stand. The simple aesthetics of the Euston, Trafford and Hale caps suit most sites, Ashton and Knightsbridge are more traditional and popular in heritage locations, with the polished stainless steel Kenton suiting more contemporary developments.



With the exception of the Kenton cap, which is machined stainless steel, all other cap and base collar options are manufactured in cast iron and supplied in a painted finish, usually to match the post on which they are fitted.

## Complimentary Bollards & Guardrail

Bollards and railings from the Linx family can be found in our Steel & Stainless Steel Bollards and Guardrail e-brochures respectively.



### LINX - SINGLE RAIL

STANDARD SPECIFICATION (ALL OPTIONS):

- Ø75mm or Ø115mm posts with Ø48mm rails
- 300mm root for in-ground fixing
- Galvanised posts, PPC finish
- Cast iron caps (except Kenton in stainless steel) + collars, painted finish

### LINX - DOUBLE RAIL

OPTIONS:

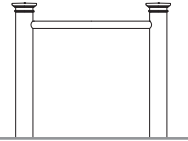
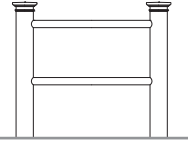
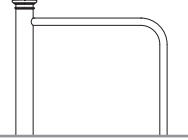
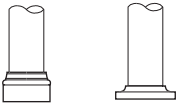
- Base plated posts for bolt-down fixing (without collars)
- Mild steel galvanised posts, no additional finish

### LINX - COMBINED RAIL / POST



# LINX™ RANGE CYCLE STANDS

## LINX CYCLE STAND RANGE: PRODUCT CODE TABLE

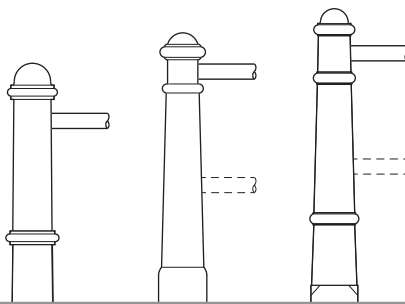
CYCLE STAND TYPE	POST SIZE + COLLARS	CAP TYPE	Euston	Kn'bridge	Trafford	Hale	Ashton	Kenton
<b>LINX SINGLE RAIL</b> 	Ø75mm posts, no base collars Ø75mm posts, Euston base collars Ø75mm posts, Trafford base collars Ø115mm posts, no base collars Ø115mm posts, Euston base collars Ø115mm posts, Trafford base collars		<b>LEB621</b> <b>LEB621EB</b> <b>LEB621TB</b> <b>LEB611</b> <b>LEB611EB</b> <b>LEB611TB</b>	<b>LKB621</b> <b>LKB621EB</b> <b>LKB621TB</b> <b>LKB611</b> <b>LKB611EB</b> <b>LKB611TB</b>	<b>LTB621</b> <b>LTB621EB</b> <b>LTB621TB</b> <b>LTB611</b> <b>LTB611EB</b> <b>LTB611TB</b>	<b>LHB621</b> <b>LHB621EB</b> <b>LHB621TB</b> <b>LHB611</b> <b>LHB611EB</b> <b>LHB611TB</b>	<b>LAB621</b> <b>LAB621EB</b> <b>LAB621TB</b> <b>LAB611</b> <b>LAB611EB</b> <b>LAB611TB</b>	<b>LNB621</b> <b>LNB621EB</b> <b>LNB621TB</b> <b>LNB611</b> <b>LNB611EB</b> <b>LNB611TB</b>
<b>LINX DOUBLE RAIL</b> 	Ø75mm posts, no base collars Ø75mm posts, Euston base collars Ø75mm posts, Trafford base collars Ø115mm posts, no base collars Ø115mm posts, Euston base collars Ø115mm posts, Trafford base collars		<b>LEB622</b> <b>LEB622EB</b> <b>LEB622TB</b> <b>LEB612</b> <b>LEB612EB</b> <b>LEB612TB</b>	<b>LKB622</b> <b>LKB622EB</b> <b>LKB622TB</b> <b>LKB612</b> <b>LKB612EB</b> <b>LKB612TB</b>	<b>LTB622</b> <b>LTB622EB</b> <b>LTB622TB</b> <b>LTB612</b> <b>LTB612EB</b> <b>LTB612TB</b>	<b>LHB622</b> <b>LHB622EB</b> <b>LHB622TB</b> <b>LHB612</b> <b>LHB612EB</b> <b>LHB612TB</b>	<b>LAB622</b> <b>LAB622EB</b> <b>LAB622TB</b> <b>LAB612</b> <b>LAB612EB</b> <b>LAB612TB</b>	<b>LNB622</b> <b>LNB622EB</b> <b>LNB622TB</b> <b>LNB612</b> <b>LNB612EB</b> <b>LNB612TB</b>
<b>LINX - COMBINED RAIL / POST</b> 	Ø75mm post, no base collar Ø75mm post, Euston base collar Ø75mm post, Trafford base collar Ø115mm post, no base collar Ø115mm post, Euston base collar Ø115mm post, Trafford base collar		<b>LEB623</b> <b>LEB623EB</b> <b>LEB623TB</b> <b>LEB613</b> <b>LEB613EB</b> <b>LEB613TB</b>	<b>LKB623</b> <b>LKB623EB</b> <b>LKB623TB</b> <b>LKB613</b> <b>LKB613EB</b> <b>LKB613TB</b>	<b>LTB623</b> <b>LTB623EB</b> <b>LTB623TB</b> <b>LTB613</b> <b>LTB613EB</b> <b>LTB613TB</b>	<b>LHB623</b> <b>LHB623EB</b> <b>LHB623TB</b> <b>LHB613</b> <b>LHB613EB</b> <b>LHB613TB</b>	<b>LAB623</b> <b>LAB623EB</b> <b>LAB623TB</b> <b>LAB613</b> <b>LAB613EB</b> <b>LAB613TB</b>	<b>LNB623</b> <b>LNB623EB</b> <b>LNB623TB</b> <b>LNB613</b> <b>LNB613EB</b> <b>LNB613TB</b>
<b>BASE COLLARS</b>  Euston      Trafford	<b>STANDARD SPECIFICATION (ALL OPTIONS):</b> <ul style="list-style-type: none"> <li>• Ø48mm rails</li> <li>• 300mm root for in-ground fixing</li> <li>• Galvanised posts, PPC finish</li> <li>• Cast iron caps (except Kenton in stainless steel) + collars, painted finish</li> </ul> <b>OPTIONS:</b> <ul style="list-style-type: none"> <li>• Base plated posts for bolt-down fixing (without collars)</li> <li>• Mild steel galvanised posts, no additional finish</li> </ul>							



## CAST IRON BOLLARD CYCLE STANDS

### Cast iron bollards with rails

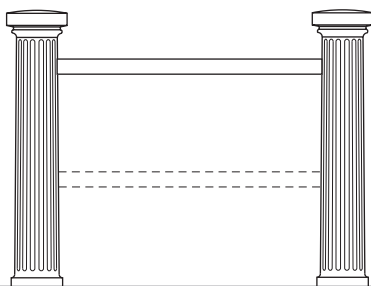
Most cast iron bollards can be readily adapted - either 'cored' or drilled - to receive a circular steel rail. If viable for the style of bollard used around the site, a simple arrangement of two bollards at an appropriate distance apart, and connected with a circular rail, will serve as a cycle stand that matches other products in the area for a cohesive overall appearance. Shown here are just four of our most popular bollards (from a range of nearly 50 standard designs), which readily lend themselves to conversion into traditional-looking cycle stands. Alternative lengths to those listed can be supplied, and we are happy to offer advice on which of our other bollards can be similarly adapted to create cycle stands.



### Cast Iron Bollards

Details of our full range of cast iron bollards are included in their own brochure. Please enquire with our Sales team as to which other bollards may be able to accommodate this style of cycle stand frame.

- Warminster Medium
- Canterbury
- Trafalgar Medium



- Doric

We generally recommend that rails are Ø48mm tube for spans of approximately 1000mm. Only bollards of appropriate diameter at the rail insertion point are suitable for use as cycle stands.

### CAST IRON BOLLARDS WITH RAILS

#### DOR 601

Doric cast iron bollards & Ø48mm rail  
1180mm x 750mm rail a/g x 290mm b/g

#### WAR 601

Warminster Med. cast iron bollards & Ø48mm rail  
1180mm x 640mm rail a/g x 300mm b/g

#### CTB 601

Canterbury cast iron bollards & Ø48mm rail  
1180mm x 800mm rail a/g x 300mm b/g

#### TRA 602

Trafalgar Med. cast iron bollards & Ø48mm rail  
1180mm x 860mm rail a/g x 300mm b/g

#### STANDARD SPECIFICATION:

Bollards and galvanised rails in painted finish

#### OPTIONS:

- Bollard pitch / rails at other lengths
- Twin rail