

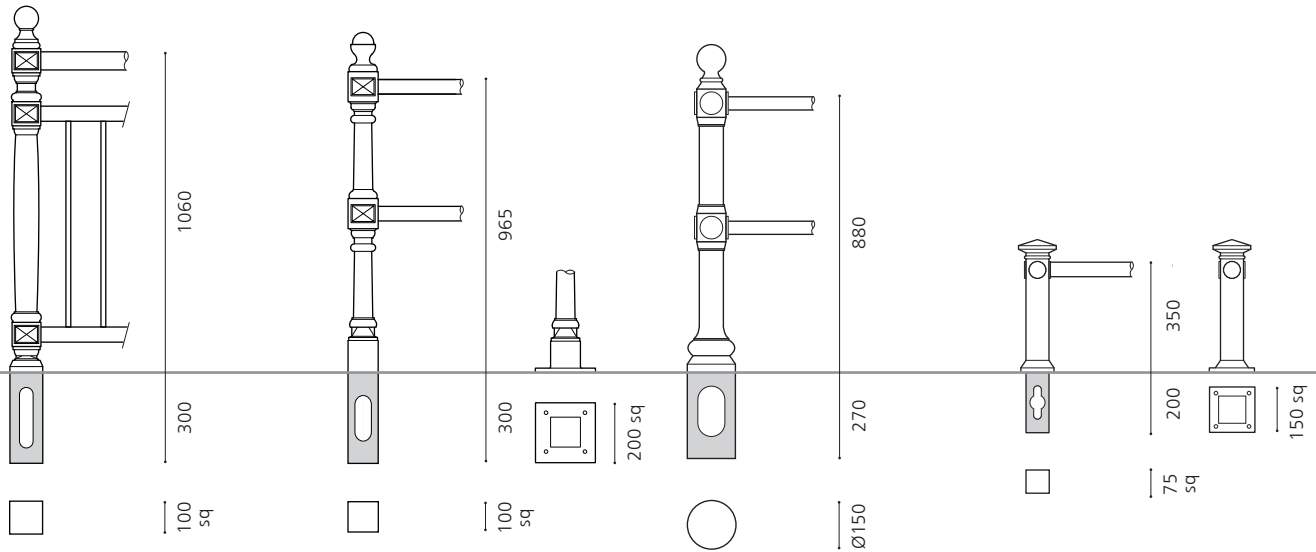
## CAST IRON POST & GUARDRAIL / RAIL

### Traditional post & rail designs for heritage sites

Guardrails and / or rails set between traditional cast iron posts are ideal pedestrian control measures for historic settings such as town centres, waterfronts and heritage attractions. The Hammersmith and Marine products are a popular choice for sites where a high degree of visually permeability is required, but where a distinct boundary line needs to be defined. These systems are also very easy to install on sites that are straight and level, with the long rails passing through multiple posts to form a robust joined-up run. For non-straight and / or non-level sites, panels and rails can be made-to-measure to suit the site dimensions. All designs shown combine heavy duty solid (except where the rails pass through) cast iron posts with guardrail and rails in hot dipped galvanised steel for ultimate long term protection against corrosion. The Hove knee-rail is a replica of a Victorian design and a popular choice as a boundary treatment to soft landscape areas, providing low level containment without being visually obtrusive.



## CAST IRON POST & GUARDRAIL / RAIL



### ROCHESTER GUARDRAIL

#### RCH 426

Cast iron intermediate post for 3/4 guardrail

#### RCHR 51Q

3/4 height guardrail panel & rail to suit 2m post centres  
Mild steel hot dipped galvanised

#### OPTIONS (POSTS):

- End post
- Painted finish

#### OPTIONS (GUARDRAIL / RAIL):

- Raked panel / rail
- Radiused panel / rail
- High visibility panel V2, V4, V8

### HAMMERSMITH POST & RAIL

#### HAM 532

Cast iron intermediate post for 2-rail, root version

#### MST 48

Rail supplied in 6.4-6.5m random length  
Mild steel hot dipped galvanised

#### OPTIONS (POSTS):

- End post
- Corner post
- Base plated
- Painted finish

### MARINE POST & RAIL

#### MAR 751

Cast iron intermediate post for 2-rail

#### MST 42

Rail supplied in 6.4-6.5m random length  
Mild steel hot dipped galvanised

#### OPTIONS (POSTS):

- End post
- Corner post
- Painted finish

### HOVE KNEE-RAIL

#### HOV 450

Cast iron intermediate post for knee-rail, root version

#### MST 33

Rail supplied in 6.4-6.5m random length  
Mild steel hot dipped galvanised

#### OPTIONS (POSTS):

- End post
- Corner post
- Base plated
- Painted finish