

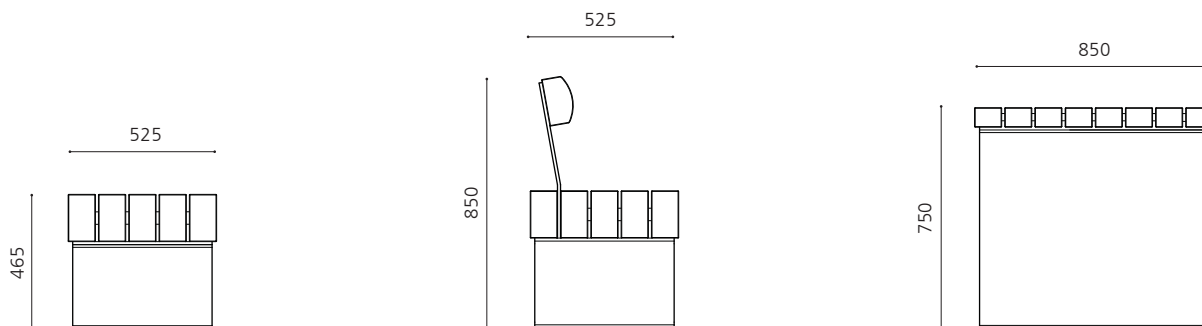
FORDHAM RANGE

Heavy duty seat, bench & table set

The Fordham steel and timber seating range offers a bold appearance, heavy duty materials and robust construction - all designed to offer the maximum resistance to vandalism required in tough urban environments. The bench is the basic form, to which a backrest can be added to form a seat. The complementary Fordham table is of a similar construction and can be used with seats and / or benches. Seats and benches are available in 6 standard lengths to comfortably accommodate up to 5 people, and the table is offered in 2 standard sizes, corresponding to 2 mid-size seating lengths. The option of a finish treatment is advisable on the table-top slats in particular, as it provides not only UV protection that maintains the colour of the timber for longer, but also provides a degree of resistance to general grime and is easier to wipe clean.



FORDHAM RANGE



FORDHAM

Galvanised steel support frame with iroko timber slats, smooth planed finish

BENCHES

FOR B5

1500mm long

FOR B6

1800mm long

FOR B7

2100mm long

FOR B8

2350mm long

FOR B9

2685mm long

FOR B10

3000mm long

SEATS

FOR 5

1500mm long

FOR 6

1800mm long

FOR 7

2100mm long

FOR 8

2350mm long

FOR 9

2685mm long

FOR 10

3000mm long

TABLES

FOR T6

1800mm long

FOR T8

2350mm long

OPTIONS:

- Polyester powder coated steelwork
- Armrests (benches and seats)
- Timbers with UV protective finish

Installation:

Both seat / bench / table supports are pre-drilled with 4no. holes for M16 ground fixings (not supplied).