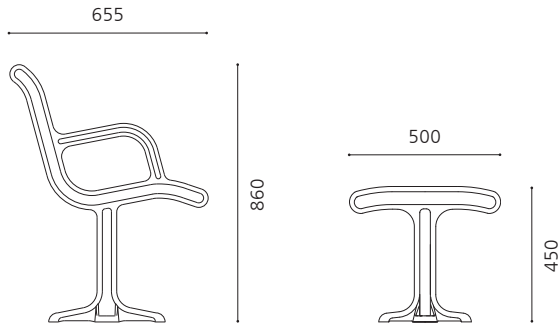


## NEW FOREST SEAT & BENCH RANGE

The New Forest range of seating products are characterised by their understated design, using the traditional seating materials of cast iron and timber, but in a much lighter visual form than for other more decorative products. Nevertheless, the product remains very strong due to the combination of the I-section of the cast standards and the robust and well-supported timber slats. The range is equally suitable for both historical and more modern settings.



### NEW FOREST SEAT

Cast iron standards - painted finish, to any BS / RAL colour reference  
Iroko slats - smooth planed finish  
Steel support strap

#### NE 6

3 person seat, 1840 mm long

#### NE 8C

4 person seat, 2400 mm long with central support and arm

#### OPTIONS:

- Timbers with UV protective finish
- Engraved bronze plaque

#### INSTALLATION:

Each seat standard is pre-drilled for an M12 or M16 ground fixing (not supplied)

### NEW FOREST BENCH

Cast iron standards - painted finish, to any BS / RAL colour reference  
Iroko slats - smooth planed finish  
Steel support strap

#### NEB 6

3 person bench, 1870 mm long

#### NEB 8

4 person bench, 2440 mm long with central support

#### OPTION:

- Timbers with UV protective finish

#### INSTALLATION:

Each seat standard is pre-drilled for an M10 or M12 ground fixing (not supplied)

