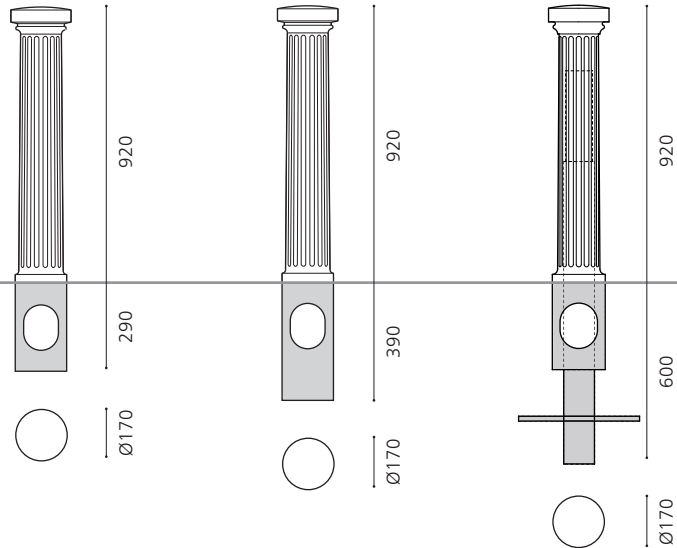


CAST IRON BOLLARDS - DORIC RANGE

Architectural column-style bollards

The Doric bollard - featuring decorative fluted sides and a shallow domed top - is based on the classical Greek architectural column of over 2,000 years ago. This well proportioned and durable bollard is commonplace throughout many UK towns and cities. The basic design is offered in 3 sizes, with additional options of extended root and security versions of the standard mid-size bollard, and the Major is available as a service bollards to house an electrical feed. Removable options are available for the Slimline and standard models. The standard bollard is also available in a polyurethane elastomer (PU) material - please refer to the relevant section of the brochure for all PU options. A complementary fingerpost is also part of the Doric family.



DORIC

DOR 520

Cast iron bollard
Weight: 55kg

OPTIONS:

Cast aluminium removable,
lifting weight: 25kg

DORIC DEEP ROOT

DOR 520 ER

Cast iron bollard
Weight: 64kg

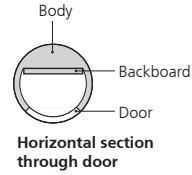
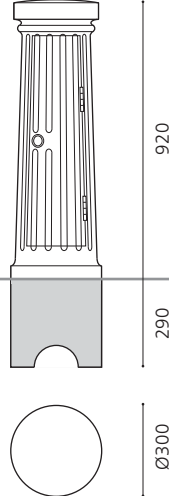
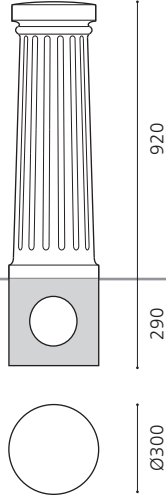
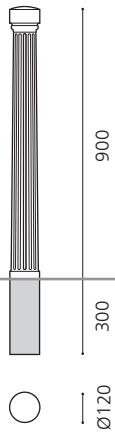
DORIC SECURITY

DOR 520 SC

Cast iron bollard c/w steel
section core in primed finish
Weight: 75kg



CAST IRON BOLLARDS - DORIC RANGE



Backboard:
720mm high
130mm wide at top
160mm wide at base

Door Aperture:
700mm high
125mm wide at top
155mm wide at base

Depth for Mountings:
130mm wide at top
160mm wide at base

DORIC SLIMLINE

DOR 520 S

Cast iron bollard
Weight: 20kg

OPTIONS:

Cast iron removable,
lifting weight: 20kg

DORIC MAJOR

DOR 520 M

Cast iron bollard
Weight: 120kg

DORIC MAJOR SERVICE

DOR 520 ME

Cast iron service bollard with fitted timber backboard, & locking hinged door
Weight: 120kg

