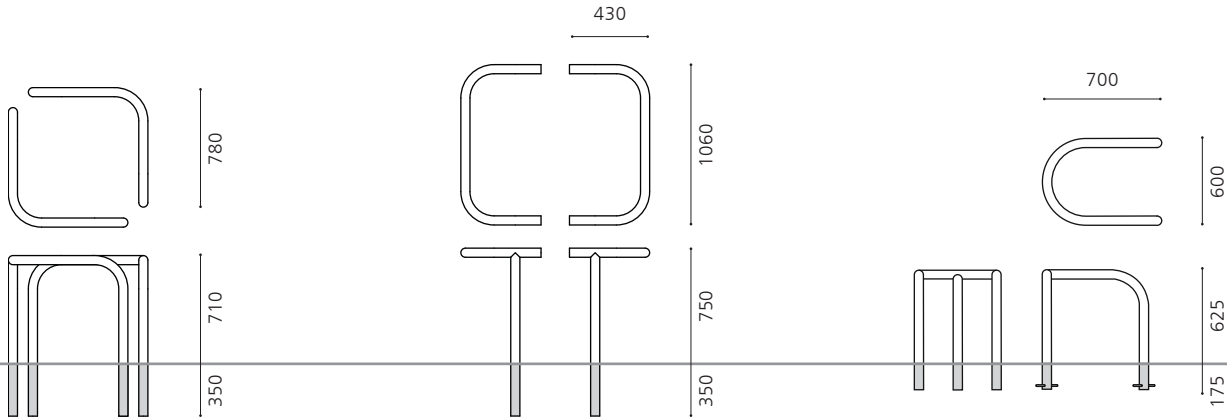


LOW LEVEL GUARDS

Unobtrusive, robust protection for trees

Where trees are vulnerable to being struck by vehicles, particularly in car parks, standard high level guards may be considered too lightweight to withstand any reasonable amount of force without suffering damage. In such situations the robust Ashford, Sherwood and College guards may be a more suitable choice. Being lower level and manufactured in tubular steel, these guards are more likely to withstand low speed bumper collisions. The College can also be used as a lamp column protector, with an open side to maintain access to the column door.



ASHFORD

Steel tree guard, hot dipped galvanised, 2-part

ASH 750

OPTIONS:

- Stainless steel

SHERWOOD

Steel tree guard, hot dipped galvanised, 2-part

SHW 750

OPTIONS:

- Stainless steel

COLLEGE

Steel tree / post guard, hot dipped galvanised

COL 600

OPTIONS:

- Painted finish / base plated

