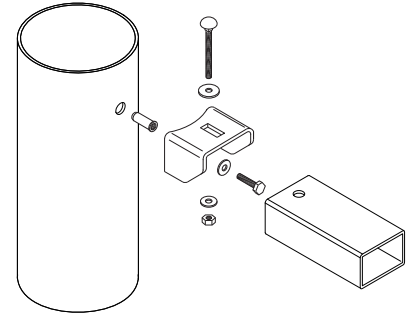


LINX 100 RANGE

The original flexible design guardrail system

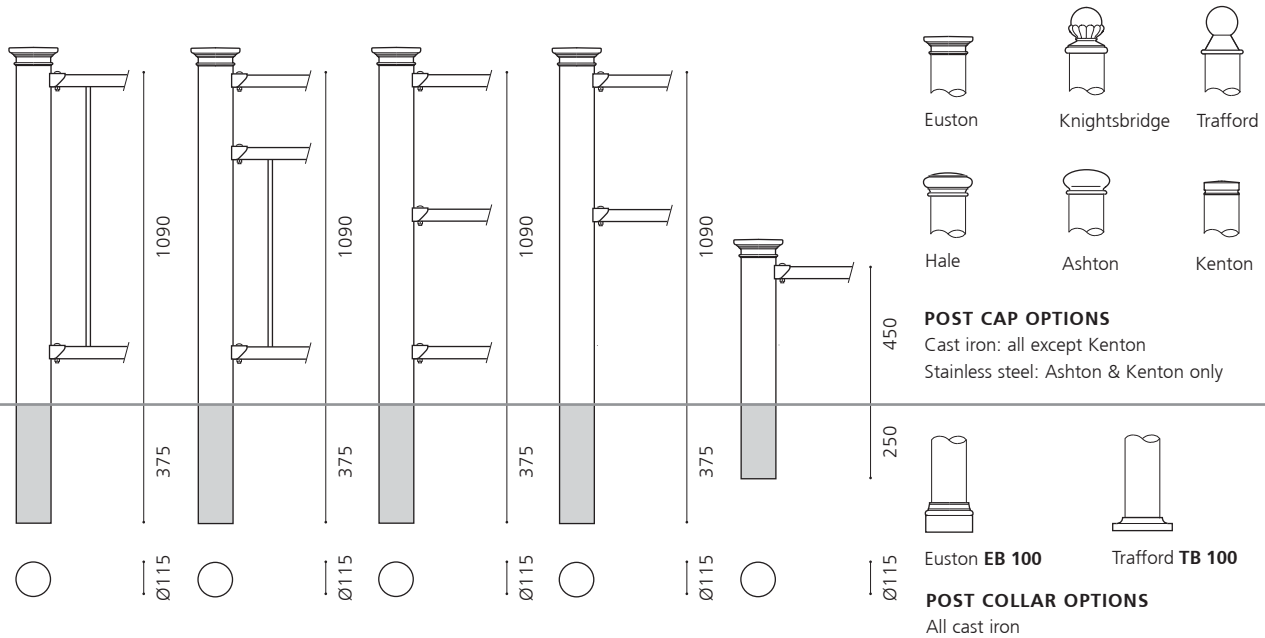
The 100 system is Furnitubes' original patented Linx guardrail design, combining large diameter posts and rectangular section rails. The cleverly-designed post-to-rail bracket connection is the core feature of the product - one set is pre-fixed on one side of the post and the other set is fixed to the post on site to suit the level and orientation of the adjacent panel and next post in the railing run. Virtually any site layout can be fitted with standard Linx 100 posts and panels, avoiding the need for expensive detailed topographical surveys and made-to-measure railings. Spares can be held in stock for immediate replacement of any site-damaged parts. The geometry of the design has been calculated and engineered so that posts can be set out on any dimension up to 2m and a standard panel be fitted between, simply by cutting one end and re-drilling the fixing hole. Posts are available with a choice of six standard decorative cap designs. Panels can be supplied in a number of high-visibility options, with a high-visibility post also available for use with full height panels. Complementary bollards are also available.



Linx 100 post-to-rail connection



LINX 100 RANGE



POST CAP OPTIONS

Cast iron: all except Kenton
Stainless steel: Ashton & Kenton only

POST COLLAR OPTIONS

All cast iron

LINX 100 RAILING POSTS

Mild steel post and rail connectors, hot dipped galvanised finish, with choice of cast iron cap options

Intermediate / corner post for guardrail type	Euston Cap (cast iron)	Knightsbridge Cap (cast iron)	Trafford Cap (cast iron)	Hale Cap (cast iron)	Ashton Cap (cast iron)
FULL HEIGHT	LEP 100 F	LKP 100 F	LTP 100 F	LHP 100 F	LAP 100 F
3/4 HEIGHT	LEP 100 Q	LKP 100 Q	LTP 100 Q	LHP 100 Q	LAP 100 Q
3-RAIL	LEP 100 R3	LKP 100 R3	LTP 100 R3	LHP 100 R3	LAP 100 R3
2-RAIL	LEP 100 R2	LKP 100 R2	LTP 100 R2	LHP 100 R2	LAP 100 R2
KNEE-RAIL	LEK 100	LKK 100	LTK 100	LHK 100	LAK 100

OPTIONS:

- End post
- Base collar
- Stainless steel caps (Ashton & Kenton only)
- High-visibility post (for posts with full height guardrail only)
- Painted finish
- Polyester powder coated finish steelwork (with painted cast iron cap & collar)

LINX 100 PANELS / RAILS

Mild steel panel / rails and rail connectors for 2m post c/s, hot dipped galvanised finish

LFR 100

Full height guardrail panel

LQR 100

3/4 height guardrail panel & single rail

L3R 100

3-rail

L2R 100

2-rail

L1R 100

Single rail

OPTIONS:

- High-visibility infill (panels only) V2 / V4 / V8
- Painted finish
- Polyester powder coated finish
- Gates - up to 4m, single or double leaf

