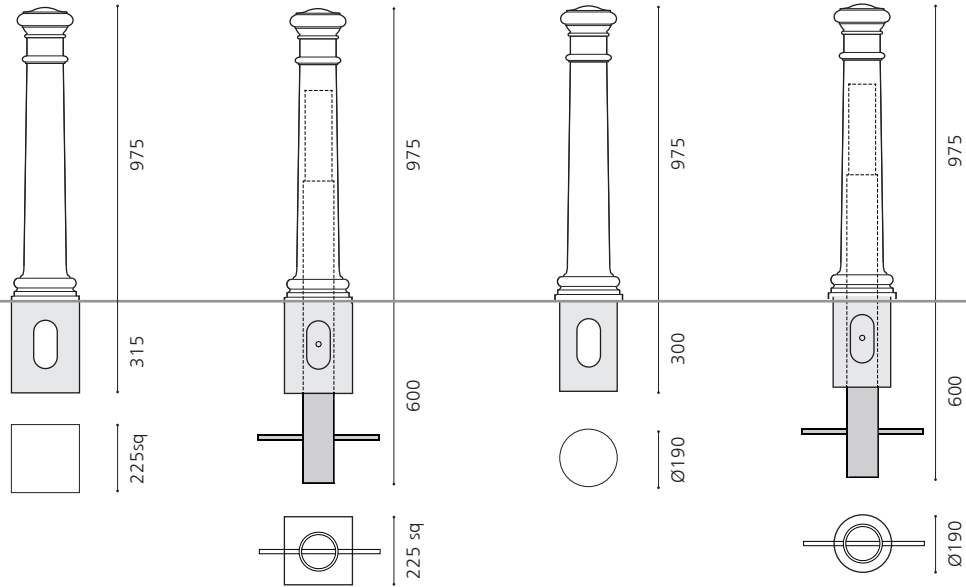


CAST IRON BOLLARDS - MANCHESTER RANGE

The Manchester range of cast iron bollards are longstanding favourites from our range - extensively used in many city centres around the country. The bollard is available in two basic designs - square and round base. The square base version is easier to install in areas of blocks or flags as the paving can be cut in straight lines to achieve a neat finish around the base. Both the square and round base are available with steel cores for added strength in security applications. The square base bollard can also be used as a base for a standard fingerpost column to provide a coordinated suite of products.



MANCHESTER SQUARE BASE

MAN 536 SB

Cast iron bollard
Weight: 50kg

OPTIONS:

Cast aluminium removable,
lifting weight: 25kg

MANCHESTER SQUARE BASE SECURITY

MAN 536 SB SC

Cast iron bollard c/w steel
section core in primed finish
Weight: 65kg

MANCHESTER ROUND BASE

MAN 536 RB

Cast iron bollard
Weight: 52kg

OPTIONS:

Cast aluminium removable,
lifting weight: 25kg

MANCHESTER ROUND BASE SECURITY

MAN 536 RB SC

Cast iron bollard c/w steel
section core in primed finish
Weight: 70kg

