

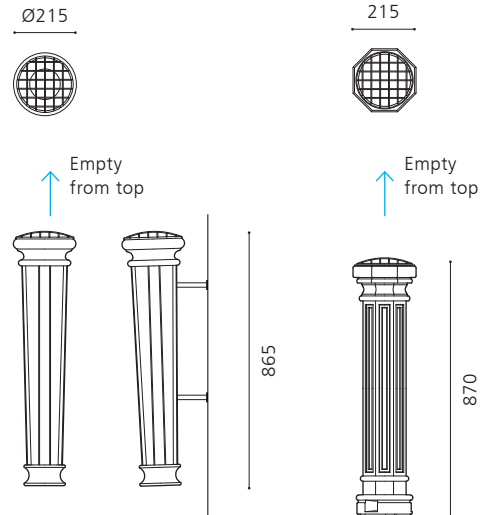
SMOKE KING CIGARETTE BIN RANGE

Traditionally-styled cigarette bins

The Smoke King is ideal for heritage sites, where decorative black traffic bollards are common place. Two models are available - both in cast aluminium in a black painted finish - for either bolting down to the ground or fixing onto a wall. The Smoke King is cleverly designed to cut off the air supply to burning cigarettes that are placed within it, thus extinguishing them without the need for an external 'stubber' plate. The liner is fully lockable and additional keys are available on request.

Operation

The liner is held in place by a push-lock on the front face of the bin, operated with a simple tri-key. When unlocked, the ash waste liner is removed out of the top of the bollard and the contents emptied. The liner is re-inserted and secured when the lock is pushed inwards.



SMOKE KING RANGE

Cast aluminium housing with 3.5 litres capacity steel liner, all painted black

SMK 500F

Base plated bin for bolt-down installation

SMK 500W

Wall-mounted version

Installation:

The bin base is pre-drilled with 3no. fixing holes to take M10 or M12 ground anchors (not supplied)

Installation:

The bin is fitted with 2no. wall brackets, each with 2no. fixing holes to take M10 fixings (not supplied)