



TRADITIONAL CAST IRON LITTER BINS

## COVENT GARDEN LITTER BINS



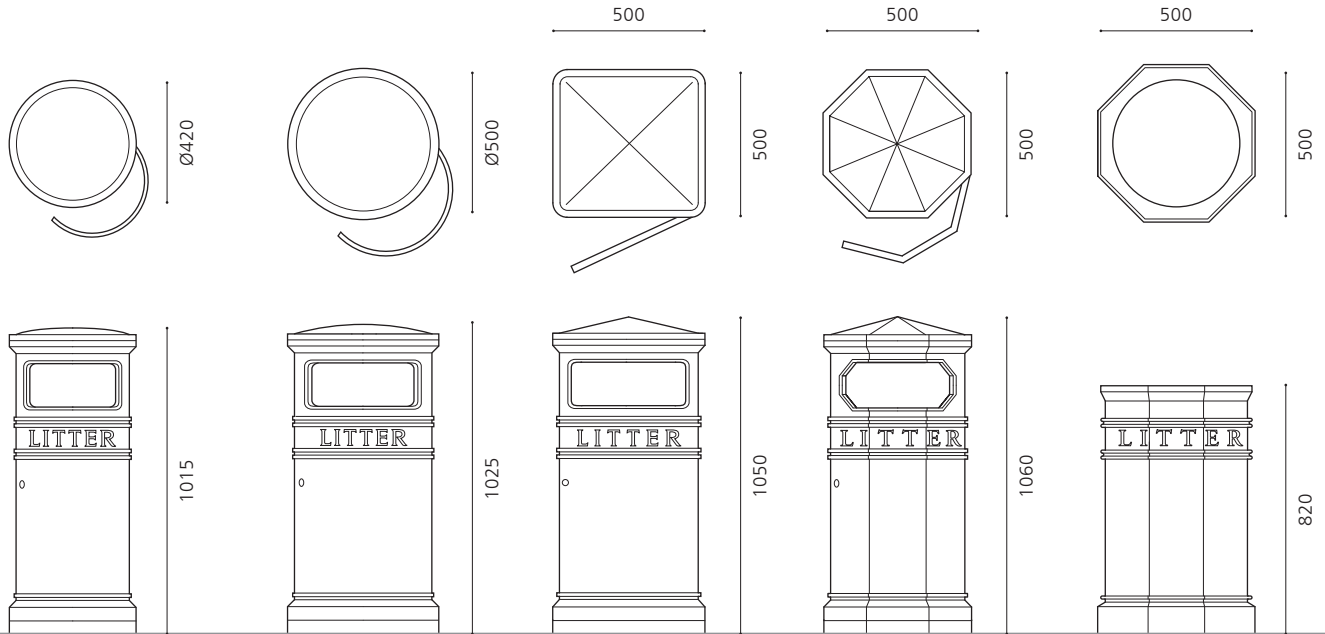
### Traditional pillar box style litter bin range

Covent Garden cast iron litter bins, offered in a variety of shapes and sizes, are long-established products from our range and a popular choice for heritage schemes in particular. The bins are decoratively styled with cast-in feature rings and lettering that are generally highlighted in a contrasting colour to the body, with gold and black being the most common colourway. Their heavy duty cast iron construction makes Covent Garden litter bins ideal for sites with a high footfall, and which may also be vulnerable to vandalism. Bins with lids and side-opening doors protect against rain ingress into the bin and also prevents the liner and bin contents from being removed by the public. The doors are operated by a simple tri-lock, and easily closed by means of a robust slam-lock. Liners are made from durable sheet steel as standard.

Optional features on the side-opening bins include a cigarette stubber and ashtray, and bird-proof flaps - hinged plates that cover the litter aperture to prevent birds and squirrels from scavenging in the bins. There are two further variations to the single compartment side-opening bins - the open top octagonal design which is popular for well supervised sites, and the dual compartment version of the square bin, which is most often to allow side-by-side collection at source of general waste and materials for recycling. Covent Garden litter bins are often customised with plaques and traditional crests that further enhance the heritage aspect of the products and the environment in which they are placed.



## COVENT GARDEN LITTER BINS



### COVENT GARDEN SIDE-OPENING LITTER BIN RANGE

Cast iron litter bins in painted finish, c/w side-opening doors fitted with slam lock and zintec steel liner

#### COV 802

Small circular litter bin  
Weight: 125kg  
Liner: 55 litres / 4.5kg

#### COV 803

Large circular litter bin  
Weight: 150kg  
Liner: 80 litres / 5kg

#### COV 702

Large square litter bin  
Weight: 210kg  
Liner: 105 litres / 7kg

#### COV 902

Large octagonal litter bin  
Weight: 160kg  
Liner: 80 litres / 5kg

### COVENT G'DN OPEN TOP

Cast iron litter bin in painted finish, c/w zintec steel liner

#### COV 912

Large octagonal litter bin  
Weight: 145kg  
Liner: 80 litres / 5kg

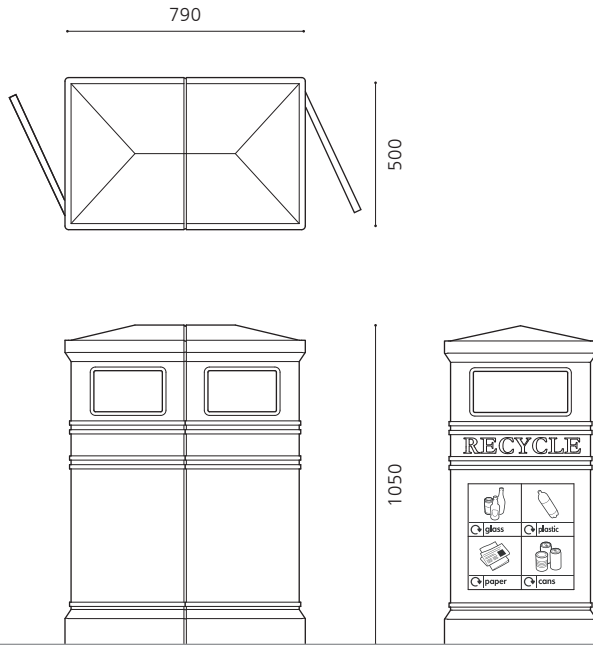
#### OPTIONS:

- Highlighted lettering, bands & aperture rim
- Polished bronze cigarette stubber, cigarette aperture & ash liner
- Bird-proof flaps (except COV 902)

#### OPTIONS:

- Highlighted lettering, bands & aperture rim

## COVENT GARDEN LITTER BINS



As standard, the following lettering is included on the door panels at each end of the bin: LITTER on one end, RECYCLE on opposite end. More specific recycling instructions can be supplied in a variety of forms.

### COVENT GARDEN DUAL COMPARTMENT END-OPENING BIN

Cast iron litter bin in painted finish, c/w side-opening doors fitted with slam lock and zintec steel liner

#### COV 722

Weight: 300kg

Liners: 2 x 60 litres / 6kg each

#### OPTIONS:

- Highlighted lettering, bands & aperture rim
- Recycling information on signage panel
- Polished bronze cigarette stubber, cigarette aperture & ash liner - generally fitted at litter side only

### Handling

Cast iron litter bins are large and heavy - good lifting and transporting practices should be adopted to protect the installer and members of the public prior to installation.

### Installation

We strongly advise that litter bins are bolted down and all products are pre-drilled at the base for M10 or M12 ground anchors. Ensure that the top surface of the foundation pad is true level; installing a side-opening bin on a non-level surface will result in the door either opening abruptly (if opening 'down hill') or with difficulty (if opening 'up hill'). If installing a bin on sloped ground, ensure that the foundation pad is set so that the door does not foul on the surrounding ground when opened.

### Operation

On side-opening models the bin door is unlocked by inserting the key and turning to disengage the lock, and at the same time gently pulling the door away from the body. Before attempting to close the door, ensure that the liner is fully inserted into the body of the bin and then gently push the door closed until the lock re-engages. Bins are supplied with rigid sheet steel liners as standard. Given the weight of an un-filled liner, when laden with refuse this may become heavy to handle and empty, and consideration should be given to safe manual handling. Where it is anticipated that the overall weight of the liner and refuse will regularly exceed the maximum safe lifting weight for refuse operatives, plastic refuse sacks can be used within the liner to reduce the weight to be lifted and emptied. Refuse sacks can be held in place by simply folding and knotting them over the open top of the rigid liner.

### Maintenance

The hinges and lock of side-opening bins should be lubricated regularly - at least annually, depending upon usage. Use a suitable outdoor multi-purpose oil. Liners should be periodically hosed down with water as required, although strong water jets and steam cleaning should be avoided. Replacement liners can be supplied. Replacement locks can be fitted to the bins in the unlikely event that the original lock is damaged.

## COVENT GARDEN LITTER BINS

### Cigarette stubber and ash waste liners

To encourage responsible disposal of cigarettes all side-opening Covent Garden litter bins can be supplied with a polished bronze stubber plate fitted to the lid of the bin. Further options include an aperture through which to dispose of the cigarette butt and a liner fitted to the top of the door to separate general and ash waste, thereby eliminating the risk of fire in the main bin.



### Bird-proof flaps

At seaside locations in particular, birds scavenging in bins presents a constant nuisance and potential health and safety risk. To counteract this problem, most Covent Garden side-opening litter bins can be supplied with spring-hinged cover plates fitted inside the litter apertures, which have proved to be a successful deterrent not only to birds on the coast, but also to squirrels in parks.

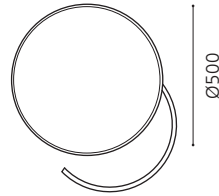


### Plaques and crests

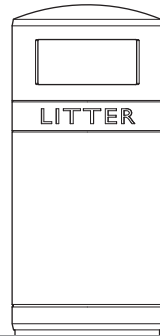
Covent Garden litter bins are often customised with plaques and traditional crests that further enhance the heritage aspect of the products and the environment in which they are placed. Depending on the detail, artwork can be recreated in flat relief or fully sculpted castings, or photographically etched plates, and expertly highlighted by our skilled painters.



## TRADITIONAL CAST IRON LITTER BINS



Ø500



1100

### LAMBETH

Cast ductile iron litter bin in painted finish, c/w side-opening door fitted with slam lock and zinc steel liner

### LAM 600

Weight: 130kg

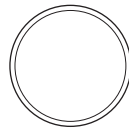
Liners: 110 litres / 8kg

### OPTIONS:

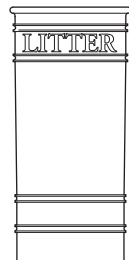
- Highlighted lettering
- Polished bronze cigarette stubber, cigarette aperture & ash liner
- Bird-proof flaps

### Installation:

The bin base is pre-drilled with 2no. fixing holes to take M10 or M12 ground anchors



Ø400



845

### ALBERT

Cast iron open top litter bin in painted finish, c/w zinc steel liner

### ALB 800

Weight: 105kg

Liner: 55 litres / 4.5kg

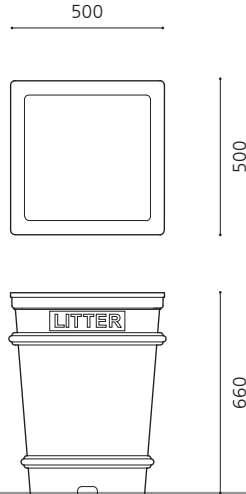
### OPTIONS:

- Highlighted lettering and bands
- Liner security chain

### Installation:

The bin base is pre-drilled with 2no. fixing holes to take M10 or M12 ground anchors

## TRADITIONAL CAST IRON LITTER BINS



### MANSION HOUSE

Cast iron open top litter bin in painted finish, c/w zintec steel liner

### MAN 660

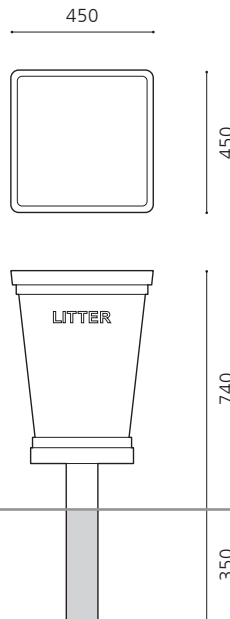
Weight: 125kg  
Liners: 75 litres / 5.5kg

#### OPTIONS:

- Highlighted lettering
- Available without 'LITTER' plates
- Liner security chain

#### Installation:

The bin base is pre-drilled with 4no. fixing holes to take M10 or M12 ground anchors



### VICTORIA

Cast iron open top litter bin with steel pedestal all in painted finish, c/w zintec steel liner

### VIC 242

Weight: 100kg  
Liners: 65 litres / 5.5kg

#### OPTIONS:

- Highlighted lettering
- Available without 'LITTER'
- Liner security chain

#### Installation:

Set pedestal in centre of concrete foundation, recommended minimum size 400 x 400mm plan square x 350mm deep

## TRADITIONAL CAST IRON LITTER BINS



View or download other product e-brochures at the following link:

[www.furnitubes.com/brochures](http://www.furnitubes.com/brochures)



© Furnitubes 2017

 **Furnitubes**<sup>®</sup>

3rd Floor, Meridian House, Royal Hill, Greenwich

**LONDON SE10 8RD**

**T:** +44 (0)20 8378 3200

**F:** +44 (0)20 8378 3250

sales@furnitubes.com

www.furnitubes.com