

Choose Comfort with INSTAFLEX

Your State-of-the-Art Drinking
Water Installation



Rediscover a Good Feeling and Security

With the INSTAFLEX system, GF Piping Systems offers a complete solution package for buildings ranging in size from single-family detached houses through apartment blocks right up to public or commercial buildings.

What is INSTAFLEX?

INSTAFLEX is a state-of-the-art plastic piping system for applications in the building technology. The main areas of application are hot and cold water, cooling systems and compressed air.

The INSTAFLEX system has been designed to meet the highest demands in a variety of applications - from distribution lines to individual extraction points.

Whether building a new house or remodeling an old one, this full plastic system offers a range of key advantages:

- Cost-efficient prefabrication
- Quick and safe handling and installation
- Wide product range
- Corrosion-free
- Incrustation-free
- Noise-insulating
- Flexible

INSTAFLEX: The Material

The INSTAFLEX system is made from polybutene - the ideal material for drinking water installations. It has been specially developed for applications in the building technology.

Of all the available full plastic systems, polybutene is subject to the lowest rate of thermal expansion. As the expansion forces are much lower - 30 times lower than steel and 10 times lower than composite pipes. The material can absorb any expansion in itself. There is no need for expansion pieces or expansion joints. It also allows the use of commercially available fastenings and fixtures. The result: clean installations which are pleasing to the eye - even if space is tight.

This means:

- Space-saving installation
- No maintenance
- Easy installation

The high chemical resistance of the polybutene material ensures the longest possible service life of components.

One manufacturer - one partner: GF Piping Systems

Your one-stop system solution

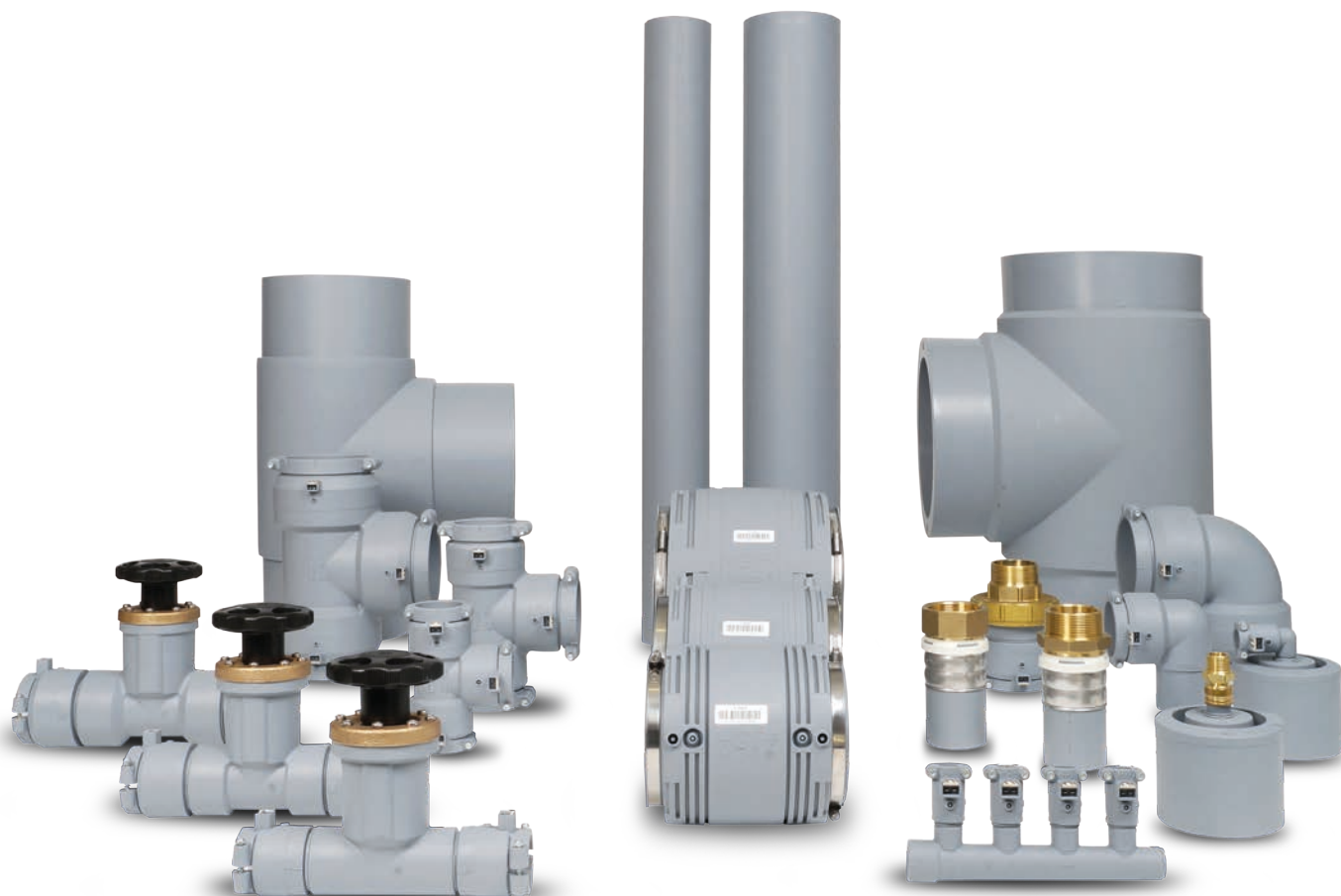
Pipes, fittings, connection technology or measuring and control technology - GF Piping Systems offers one-stop shopping worldwide.

Top quality

Why not profit from the quality of our products? With more than 40 years experience of production and development, stringent quality checks, highly qualified employees and a continuous improvement process, our company offers the ideal basis for superb quality standards.

Local procurement

A worldwide network of our own sales organizations and trading partners offers our customers direct access to our high-quality products and a competent and obliging service at local level.



Feel the Difference in Comfort

INSTAFLEX: the piping system

The INSTAFLEX system stands out with a wide range of available sizes (d16 mm to d225 mm). The same system can be used equally in a single-family detached house, in a hospital or even on board of a luxury ocean liner.

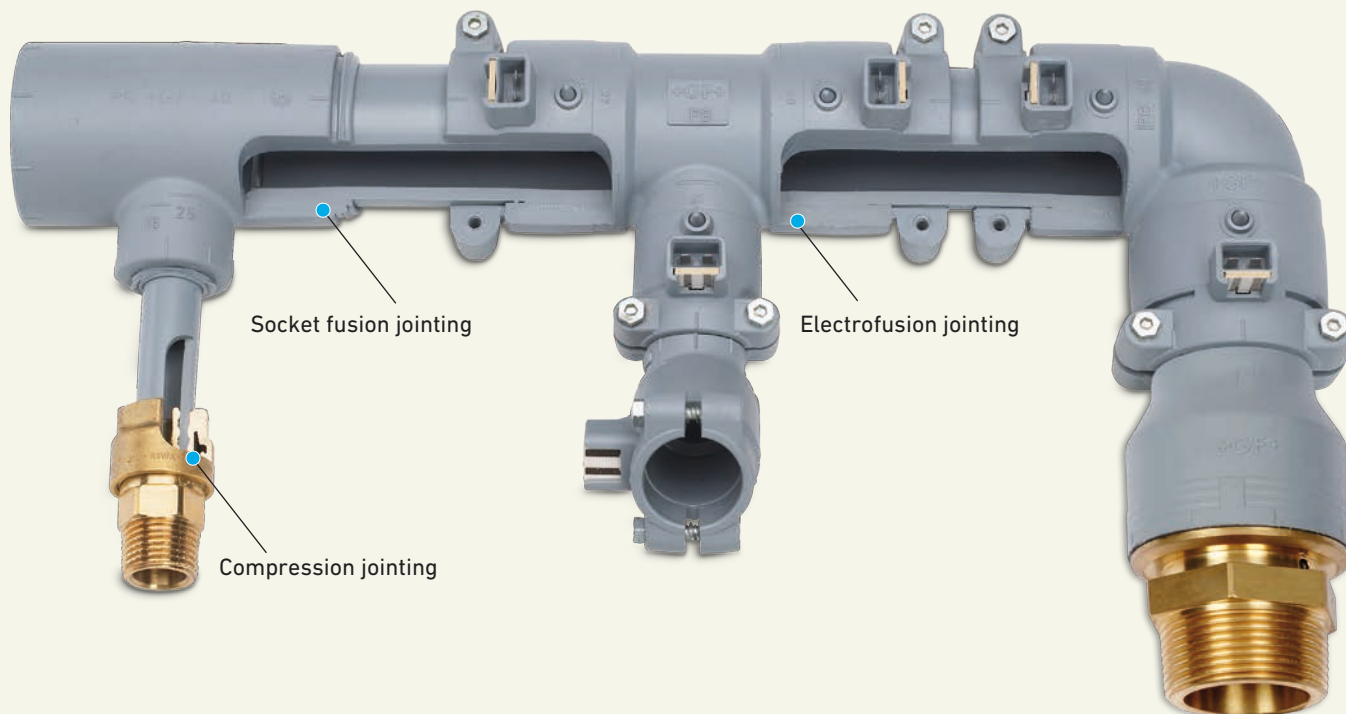
The pipes with diameters ranging from d16 - d25 mm are protected with an outer protection pipe. If damaged (e.g. drilling damage), individual pipes can be easily replaced without opening up the wall.

Connection technologies for a minimum of fuss

GF Piping Systems offers the perfect connection technology for every application:

- Electrofusion fittings for fast and safe connection on-site
- Socket fusion as a cost-effective prefabricated alternative
- Compression joints for connections and transitions to other materials

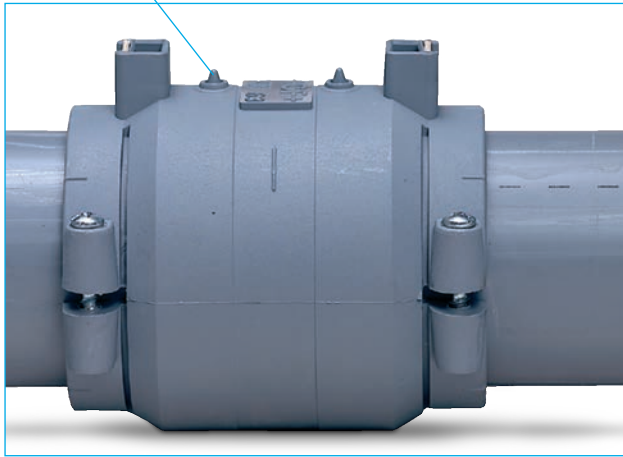
+ Characteristics



Advantages

+ Safe

With GF Piping Systems' electrofusion devices jointings can be done fast, efficient and safe. The welding process is carefully controlled throughout the entire welding time. The joint indicators clearly show when the welding of a fitting is complete.



+ Fast

The tried and tested Z-dimension method by GF Piping Systems can be prefabricated cost-effectively in the workshop. This means that entire components (e.g. cellar distribution bars) can be installed on-site in very short time - allowing you to meet your deadlines.



+ Advantages of the INSTAFLEX system for your application

- The flexibility of polybutene allows small changes in direction without adapters. This saves additional parts and valuable time during installation on-site
- Polybutene remains flexible and easy to handle even at low temperatures
- Prefabricated ascending pipes can be rolled up and installed quickly and easily in the duct at the construction site

This means:

- You spend less time on the construction site
- Faster installation
- Greater safety



Plastic Pipes – the Modern Alternative to Steel and Copper

Plastic pipes offer many advantages over steel and copper. Polybutene has an outstanding ecobalance. It can be reused. The recycled plastic can be used for example in noise insulation walls. This saves valuable resources. In comparison to steel and copper, manufacturing plastics requires four times less energy. This helps to protect the environment.

Corrosion-free

INSTAFLEX is an absolutely corrosion-free drinking water installation. This means that even if the system is not used for an extended period of time, you do not need to worry about water quality - and there is certainly no risk of rust deposits or corrosion.

Noise-insulating

Of all available piping systems, polybutene offers the lowest sound velocity index. It is ten times lower than the value for steel. This means you can always get a good night sleep, even if your bedroom is right next to the bathroom.

Incrustation-free

With the INSTAFLEX system, GF Piping Systems can ensure that the pipes in your drinking water installation will be free of limescale. The smooth surface of polybutene prevents deposits from forming in the system. As a result, the pipes retain their full internal diameter. Flow and comfort remain constant at the same high level.

Hygiene

Water is the most valuable and the most strictly regulated of all of our foodstuffs. In contrast to metals, which can release copper ions, nickel or corrosion deposits into the water, polybutene releases no substances at all that could affect the taste of the water or be harmful in any way. In terms of hygiene and health aspects, INSTAFLEX is totally safe for use in drinking water supply systems.

Conclusion

The full plastic INSTAFLEX piping system offers significant advantages:

- Cost-effective prefabricated solution
- Quick and safe handling and installation
- Long service life
- Broad product range
- Corrosion-free
- Incrustation-free
- Noise-insulating
- Hygienically safe
- Outstanding ecobalance





Simple, hassle-free, INSTAFLEX

Another advantage of plastic is its low weight which makes processing and transport a lot easier. In contrast to metal systems, the use of a crane is not necessary.

Less is more

The energy equivalent value comprises all process energies required for the production of the pipes and fittings from raw material to final product as well as their thermal insulation. Furthermore, it covers the amounts of energy needed for the provision of auxiliary materials and the joining technology.

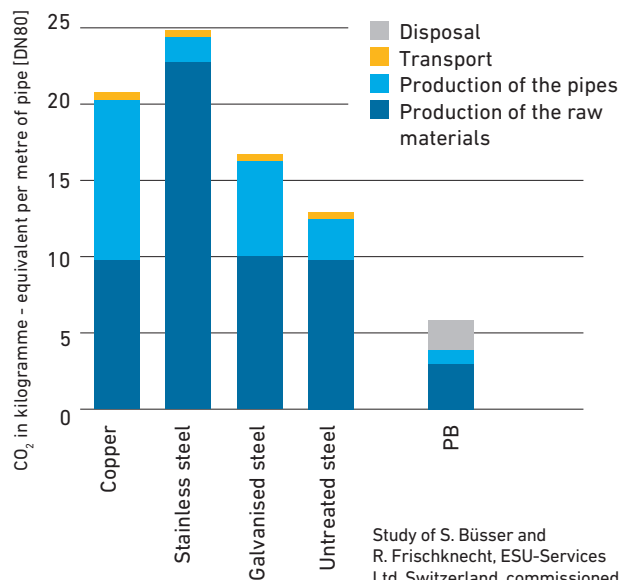
Life Cycle Assessment (LCA)

A Life Cycle Assessment is a technique to assess the environmental impact associated with a product, a material, a process, or even a system over its entire life cycle. It is the most widespread method to assess the environmental impact. GF Piping Systems proactively conduct life-cycle assessments for selected products to determine their environmental impact by analysing raw materials, suppliers, production, application by user and disposal.

Environmental Product Declaration (EPD)

An Environmental Product Declaration is a standardized tool to communicate the ecobalance of a product. It comprises quantified data on products or systems which are based on independent findings from Life Cycle Assessments (LCA). For the entire INSTAFLEX system, an EPD according to EN 15804 is available at www.gfps.com.

Positive Life Cycle Assessment of plastic pipes



Study of S. Büsser and R. Frischknecht, ESU-Services Ltd. Switzerland, commissioned by GF Piping Systems, 2008

Worldwide at home

Our sales companies and representatives ensure local customer support in over 100 countries.

www.gfps.com

Argentina / Southern South America

Georg Fischer Central Plastics Sudamérica S.R.L.
Buenos Aires, Argentina
Phone +54 11 4512 02 90
Fax +54 11 4512 02 93
gfcentral.ps.ar@georgfischer.com
www.gfps.com/ar

Australia

George Fischer Pty Ltd
Riverwood NSW 2210
Phone +61 (0) 2 9502 8000
Fax +61 (0) 2 9502 8090
australia.ps@georgfischer.com
www.gfps.com/au

Austria

Georg Fischer Rohrleitungssysteme GmbH
3130 Herzogenburg
Phone +43 (0) 2782 856 43 0
Fax +43 (0) 2782 856 64
austria.ps@georgfischer.com
www.gfps.com/at

Belgium / Luxembourg

Georg Fischer NV/SA
1600 Sint-Pieters-Leeuw / Belgium
Phone +32 (0) 2 556 40 20
Fax +32 (0) 2 524 34 26
be.ps@georgfischer.com
www.gfps.com/be

Brazil

Georg Fischer Sist. de Tub. Ltda.
04571-020 São Paulo/SP
Phone +55 (0) 11 5525 1311
br.ps@georgfischer.com
www.gfps.com/br

Canada

Georg Fischer Piping Systems Ltd
Mississauga, ON L5T 2B2
Phone +1 (905) 670 8005
Fax +1 (905) 670 8513
ca.ps@georgfischer.com
www.gfps.com/ca

China

Georg Fischer Piping Systems Ltd
201319 Shanghai
Phone +86 21 3899 3899
Fax +86 21 3899 3888
china.ps@georgfischer.com
www.gfps.com/cn

Denmark / Iceland

Georg Fischer A/S
2630 Taastrup, Denmark
Phone +45 (0) 7022 1975
Fax +45 (0) 7022 1976
info.dk.ps@georgfischer.com
www.gfps.com/dk

Finland

Georg Fischer AB
01510 Vantaa
Phone +358 (0) 9 586 58 25
Fax +358 (0) 9 586 58 29
info.fi.ps@georgfischer.com
www.gfps.com/fi

France

Georg Fischer SAS
95932 Roissy Charles de Gaulle Cedex
Phone +33 (0) 1 41 84 68 84
Fax +33 (0) 1 41 84 68 85
fr.ps@georgfischer.com
www.gfps.com/fr

Germany

Georg Fischer GmbH
73095 Albershausen
Phone +49 (0) 7161 302 0
Fax +49 (0) 7161 302 25 9
info.de.ps@georgfischer.com
www.gfps.com/de

India

Georg Fischer Piping Systems Pvt. Ltd.
400 076 Powai, Mumbai
Phone +91 22 4007 2000
Fax +91 22 4007 2020
branchoffice@georgfischer.com
www.gfps.com/in

Indonesia

George Fischer Pte Ltd
41371 Jawa Barat
Phone +62 267 432 044
Fax +62 267 431 857
indonesia.ps@georgfischer.com
www.gfps.com/id

Italy

Georg Fischer S.p.A.
20063 Cernusco S/N (MI)
Phone +39 02 921 86 1
Fax +39 02 921 86 24 7
it.ps@georgfischer.com
www.gfps.com/it

Japan

Georg Fischer Ltd
530-0003 Osaka
Phone +81 (0) 6 6341 2451
jp.ps@georgfischer.com
www.gfps.com/jp

Korea

Georg Fischer Piping Systems
463-824 Seoul
Phone +82 31 8017 1450 3
Fax +82 31 8017 1454
kor.ps@georgfischer.com
www.gfps.com/kr

Malaysia

Georg Fischer (M) Sdn. Bhd.
40460 Shah Alam, Selangor Darul Ehsan
Phone +60 (0) 3 5122 5585
Fax +60 (0) 3 5122 5575
my.ps@georgfischer.com
www.gfps.com/my

Mexico / Northern Latin America

Georg Fischer S.A. de C.V.
Apodaca, Nuevo Leon, Mexico
Phone +52 (81) 1340 8586
Fax +52 (81) 1522 8906
mx.ps@georgfischer.com
www.gfps.com/mx

Middle East

Georg Fischer Piping Systems (Switzerland) Ltd
Dubai, United Arab Emirates
Phone +971 4 289 49 60
Fax +971 4 289 49 57
gss.ps@georgfischer.com
www.gfps.com/int

Netherlands

Georg Fischer N.V.
8161 PA Epe
Phone +31 (0) 578 678 222
Fax +31 (0) 578 621 768
nl.ps@georgfischer.com
www.gfps.com/nl

New Zealand

Georg Fischer Ltd
5140 Upper Hutt
Phone +64 (0) 4 527 9813
Fax +64 (0) 4 527 9834
nz.ps@georgfischer.com
www.gfps.com/nz

Norway

Georg Fischer AS
1351 Rud
Phone +47 67 18 29 00
Fax +47 67 13 92 92
no.ps@georgfischer.com
www.gfps.com/no

Philippines

Georg Fischer Representative Office
1604 Pasig City
Phone +632 571 2365
Fax +632 571 2368
sgp.ps@georgfischer.com
www.gfps.com/sg

Poland

Georg Fischer Sp. z o.o.
05 090 Sekocin Nowy
Phone +48 (0) 22 3131 050
Fax +48 (0) 22 3131 060
poland.ps@georgfischer.com
www.gfps.com/pl

Romania

Georg Fischer Rohrleitungssysteme (Elvetia) S.A. SUCURSALA BUCURESTI
020257 Bucuresti
Phone +40 311 040 492
Fax +40 212 317 479
ro.ps@georgfischer.com
www.gfps.com/int

Russia

Georg Fischer Piping Systems (Switzerland) Ltd
Moscow Representative Office
125040 Moscow
Phone +7 495 748 11 44
ru.ps@georgfischer.com
www.gfps.com/ru

Singapore

Georg Fischer Pte Ltd
528 872 Singapore
Phone +65 6747 0611
Fax +65 6747 05 77
sgp.ps@georgfischer.com
www.gfps.com/sg

Spain / Portugal

Georg Fischer S.A.
28046 Madrid
Phone +34 (0) 91 781 98 90
Fax +34 (0) 91 426 08 23
es.ps@georgfischer.com
www.gfps.com/es

Sweden

Georg Fischer AB
11743 Stockholm
Phone +46 (0) 8 506 77 50 0
Fax +46 (0) 8 749 23 70
info.se.ps@georgfischer.com
www.gfps.com/se

Switzerland

Georg Fischer Rohrleitungssysteme (Schweiz) AG
8201 Schaffhausen
Phone +41 (0)52 631 3026
Fax +41 (0)52 631 2800
ch.ps@georgfischer.com
www.gfps.com/ch

Taiwan

Georg Fischer Co. Ltd.
24158 New Taipei City
Phone +886 2 8512 2822
Fax +886 2 8512 2823
tw@georgfischer.com
www.gfps.com/tw

Turkey

Georg Fischer Hakan Plastik
Boru ve Profil San. Tic. A.Ş.
59500 Cerkezoy / Tekirdag
Phone +90 282 726 64 43
Fax +90 282 726 94 67
hpsales@hakan.com.tr
www.hakan.com.tr

United Kingdom / Ireland

Georg Fischer Sales Ltd
CV2 2ST Coventry, United Kingdom
Phone +44 (0) 2476 535 535
Fax +44 (0) 2476 530 450
uk.ps@georgfischer.com
www.gfps.com/uk

USA / Caribbean

Georg Fischer LLC
92618 Irvine
Phone +1 714 731 88 00
Fax +1 714 731 62 01
Toll Free 800/854 40 90
us.ps@georgfischer.com
www.gfps.com/us

International

Georg Fischer Piping Systems (Switzerland) Ltd
8201 Schaffhausen
Phone +41 (0) 52 631 3003
Fax +41 (0) 52 631 2893
info.export@georgfischer.com
www.gfps.com/int

The technical data are not binding. They neither constitute expressly warranted characteristics nor guaranteed properties nor a guaranteed durability. They are subject to modification. Our General Terms of Sale apply.

39 001 62
0.2 (02.17) DH
© Georg Fischer JRG AG
Hauptstrasse 130
CH-4450 Sissach/Switzerland
Telefon +41 (0) 61 975 22 22
info.jrg.ps@georgfischer.com
Printed in Switzerland