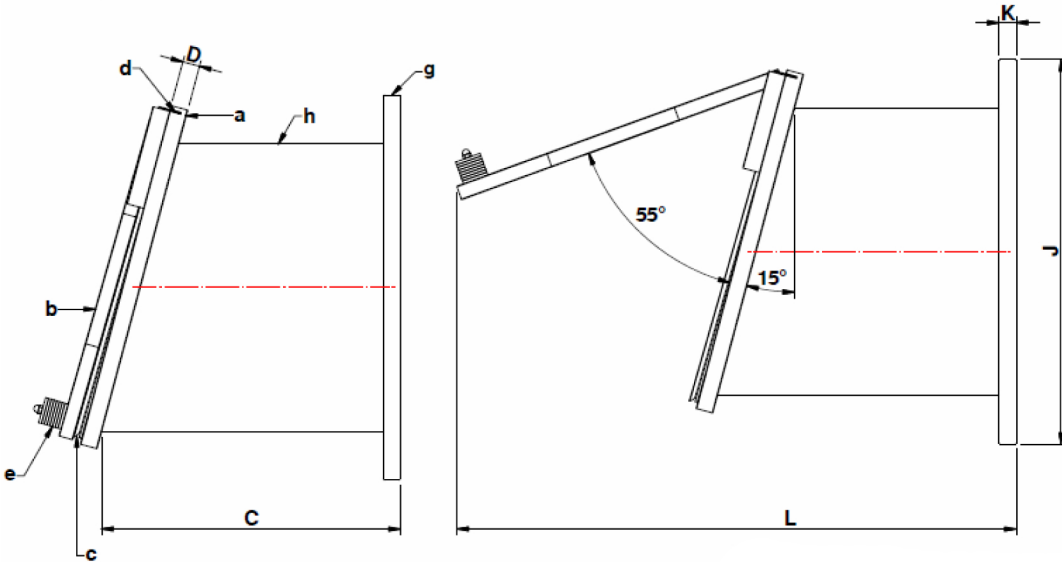
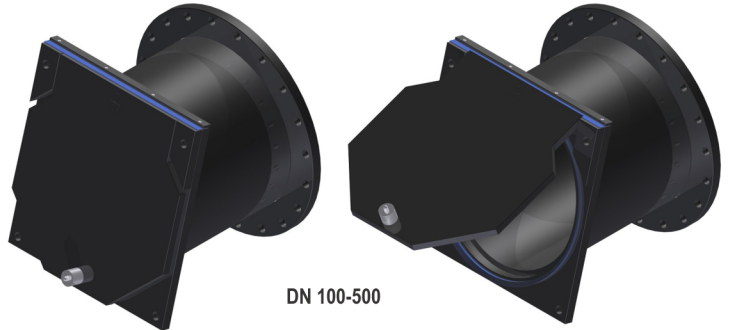
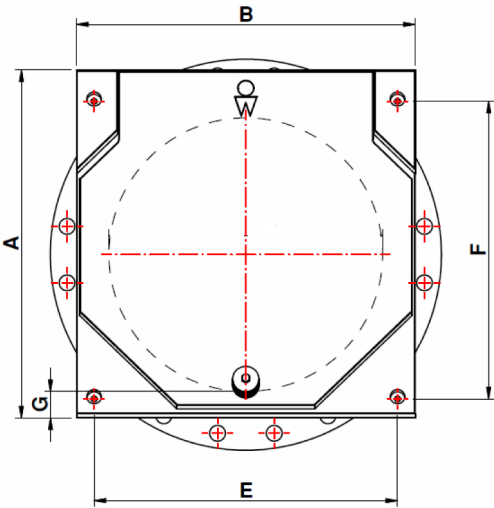





# ALTHON KRK - R - F FLANGE MOUNTED FLAP VALVE



PN16 available on request

Data (mm)

Item Nr	DN	C	J PN10	K	L			
104Z0100	DN100	160	220	20	360	SDR17	8	5
104Z0125	DN125	160	220	20	370	SDR33	8	5
104Z0150	DN150	160	285	20	395	SDR33	8	5
104Z0200	DN200	265	340	30	525	SDR33	8	6
104Z0250	DN250	265	395	30	560	SDR33	12	8
104Z0300	DN300	265	445	30	600	SDR33	12	11
104Z0400	DN400	315	565	30	710	SDR33	16	18
104Z0500	DN500	315	670	30	780	SDR33	20	22
104Z0600	DN600	465	780	30	1060	SDR41	20	102
104Z0700	DN700	490	895	30	1155	SDR41	24	124
104Z0800	DN800	515	1015	30	1275	SDR41	24	146
104Z0900	DN900	615	1115	30	1420	SDR41	28	172
104Z1000	DN1000	615	1230	30	1490	SDR41	28	201

- Easy to install - No grouting required.
- Light weight due to the use of HDPE.
- Virtually maintenance free.
- Ultra Violet and impact resistant.
- Supplied complete with all seals and stainless steel fixings.

